



Avantgarde 4

EN Instructions for use (qualified personnel) 3

Table of contents

EN

1	Foreword	5
2	Intended use	5
2.1	Indications for use	5
2.2	Indications, contraindications	5
2.3	Qualification	5
3	Safety	5
3.1	Explanation of warning symbols	5
3.2	General safety instructions	6
3.3	Safety Instructions for Assembly	6
3.4	Further information	6
3.5	Nameplate	6
4	Delivery	7
4.1	Scope of delivery	7
4.2	Options	7
4.3	Storage	7
5	Preparing the product for use	7
5.1	Assembly	7
6	Settings	8
6.1	Prerequisites	8
6.2	Adjusting the drive wheels	8
6.2.1	Setting the drive wheels horizontally	9
6.2.1.1	Adjusting the drive wheel adapter position in the frame	9
6.2.1.2	Adjusting the shock absorber in the frame	10
6.2.2	Adjusting the seat height and seat inclination	10
6.2.2.1	Adjustment in the drive wheel adapter	11
6.2.2.2	Adjustment in the shock absorber	12
6.2.3	Adjusting the drive wheel camber	12
6.2.4	Adjusting the track width (additional adjustment)	14
6.2.5	Adjusting the quick-release axle	14
6.2.6	Adjusting the handrims	14
6.3	Adjusting the caster wheels	14
6.3.1	Adjusting the caster journal angle	14
6.3.2	Changing the installation position of the caster wheels	16
6.4	Adjusting the wheel locks	17
6.4.1	Adjusting the knee lever wheel locks	17
6.4.2	Adjusting the scissor wheel locks	18
6.4.3	Adjusting the knee lever wheel lock for user and attendant	18
6.4.4	Adjusting the knee lever wheel lock for one-handed operation	19
6.4.5	Adjusting the braking force of the drum brake	19
6.5	Adjusting the back support	20
6.5.1	Adjusting the back support height	20
6.5.2	Adjusting the back support angle	21
6.6	Adjusting the back support upholstery / seat upholstery	22
6.6.1	Adjusting the back support upholstery	22
6.6.1.1	Adapting the adjustable back support upholstery	22
6.6.1.2	Adjusting the "ultralight" back support upholstery	23
6.6.2	Adjusting the seat upholstery	23
6.7	Adjusting the leg supports	24
6.7.1	Adjusting the lower leg length	24
6.7.2	Adjusting the support angle	25
6.7.3	Adjusting the posterior lower leg pad on the elevating leg support	26
6.8	Adjusting the side panels	27
6.8.1	Adjusting the "standard" and "clothing guard" side panels	27
6.8.2	Adjusting the forearm support height	28
6.8.3	Installing and adjusting the swivel unit and forearm supports	28

6.9	Adjusting the anti-tipper	29
6.10	Adjusting the lap belt	30
6.11	Adjusting the tray	30
7	Delivery.....	30
7.1	Final inspection	30
7.2	Transport to the customer	30
7.3	Handing over the product.....	30
8	Maintenance and repair	31
9	Disposal	31
9.1	Disposal information	31
9.2	Information on re-use.....	31
10	Legal information.....	31
10.1	Liability	31
10.2	Warranty	31
10.3	Service life	31
11	Technical data	32
12	Appendices	35
12.1	Required tools	35
12.2	Torque values of the screw connections.....	35

1 Foreword

INFORMATION

Date of last update: 2020-03-16

- ▶ Please read this document carefully before using the product and observe the safety notices.
- ▶ Instruct the user in the safe use of the product.
- ▶ Please contact the manufacturer if you have questions about the product or in case of problems.
- ▶ Report each serious incident in connection with the product, in particular a worsening of the state of health, to the manufacturer and to the relevant authority in your country.
- ▶ Please keep this document for your records.

INFORMATION

- ▶ New information regarding product safety and product recalls as well as the declaration of conformity can be obtained at oa@ottobock.com or from the manufacturer's service department (see inside or outside of rear cover for addresses).
- ▶ You can request this document as a PDF file at oa@ottobock.com or from the manufacturer's service department (see inside or outside of rear cover for addresses). The PDF file can also be displayed in a larger size.

Initial adjustments to the product were made according to the order form. Nevertheless, fine adjustments and settings may have to be made depending on the medical situation or the user's requirements.

These instructions for use provide the information necessary for adjusting the settings. This work should be closely coordinated with the user.

Please note the following:

- The instructions for use (qualified personnel) are intended only for qualified personnel and remain with them.
- The manufacturer recommends checking the product settings regularly in order to assure an optimum fit over the long term. A review is required every six months for children and youths in particular.
- The manufacturer reserves the right to make technical changes to the model described in these instructions for use.

2 Intended use

2.1 Indications for use

For additional information about the indications for use, see the instructions for use (user).

The operational safety of the wheelchair can only be ensured in case of intended use in accordance with the information contained in these instructions for use (qualified personnel) and in the instructions for use (user). The user is ultimately responsible for accident-free operation.

2.2 Indications, contraindications




See the instructions for use (user) for more information about indications and contraindications.

2.3 Qualification

The tasks described below may only be carried out by qualified personnel. Compliance with all manufacturer specifications and all applicable legal provisions is required. Please contact the manufacturer's service department for further information (see inside or outside of rear cover for addresses).

3 Safety

3.1 Explanation of warning symbols

 WARNING	Warning regarding possible serious risks of accident or injury.
 CAUTION	Warning regarding possible risks of accident or injury.
 NOTICE	Warning regarding possible technical damage.

3.2 General safety instructions

CAUTION

Use of unsuitable tools
 Pinching, crushing or damaging the product due to use of unsuitable tools

- ▶ When completing the tasks, only use tools that are suitable for the conditions at the place of work and for which safety and the protection of health are assured with proper use.
- ▶ Observe the specifications in the section "Required Tools".

NOTICE

Tipping or falling of the product
 Damage to product due to lack of attachment

- ▶ When you work on the product, secure it so that it cannot tip over or fall over.
- ▶ Use a clamping fixture to secure the product whenever you work on it at a workbench.

3.3 Safety Instructions for Assembly

WARNING

Changed diameter/installation position of the wheels
 Tipping, falling over of the user due to blocked wheels

- ▶ Modification of the size and position of the front wheels and of the drive wheel size can lead to wobbling of the front wheels at higher speeds. If changes are required, verify the horizontal alignment of the wheelchair frame (see the section "Adjusting the drive wheels", "Adjusting the caster wheels").

WARNING

Improper assembly of removable wheels
 Tipping, falling over of the user due to wheels coming off

- ▶ After each assembly, verify the proper fit of the removable wheels. The quick-release axles must be firmly locked in the wheel attachment.

3.4 Further information

INFORMATION

The serial number required for enquiries and orders can be found on the nameplate. For explanations of the nameplate, see the section "Nameplate" (see Page 6).

3.5 Nameplate

The nameplates are found on the crossbrace.

Label	Meaning
	A Manufacturer's product name
	B CE marking
	C Maximum load (see section "Technical data")
	D Manufacturer information/address
	E Serial number ¹⁾
	F Manufacturing date ²⁾
	G Symbol for medical device
	H WARNING! Read the instructions for use before using the product. Observe important safety-related information (e.g. warnings, precautions).
	I Manufacturer's reference number for the product variant
	J Serial number (PI) ^{3),1)}
	K Global Trade Item Number (DI) ⁴⁾

¹⁾ YYYY = year of manufacture; WW = week of manufacture; PP = production site; XXXX = sequential production number

2) YYYY = year of manufacture; MM = month of manufacture; DD = day of manufacture

3) UDI-PI to GS1 standard; UDI = Unique Device Identifier, PI = Product Identifier

4) UDI-DI to GS1 standard; UDI = Unique Device Identifier, DI = Device Identifier

See the instructions for use (user) for additional warning labels.

4 Delivery

4.1 Scope of delivery

- Preassembled wheelchair
- Two drive wheels (installed or included)
- Options according to the order
- Instructions for use (qualified personnel), instructions for use (user)
- Instructions for use for accessories (depending on equipment)

The seat cushion is not included in the standard package.

4.2 Options

The functionality and operation of the options are described in more detail in the instructions for use (user).

All of the available options/accessories are listed on the order form.

4.3 Storage

Store the wheelchair in a dry, enclosed room, protected from external influences. Specific information about storage conditions: see Page 32.

During extended storage, the knee lever wheel lock on wheelchairs with PU tyres must be released since tyre deformation may otherwise result.

Maintain sufficient clearance from sources of heat. If the product is parked for an extended period of time or the tyres overheat (e.g. in the vicinity of radiators or in case of exposure to strong sunlight behind glass), the tyres may become permanently deformed.

5 Preparing the product for use

5.1 Assembly

CAUTION

Exposed pinch points

Crushing, pinching due to incorrect handling

- ▶ When folding the wheelchair out or together, only grip by the specified components.

CAUTION

Failure to verify readiness for use before putting into operation

Tipping, falling due to incorrect adjustment or installation

- ▶ Check the existing settings prior to first use.
- ▶ After every assembly, check for proper mounting of the drive wheels. The quick-release axles must be securely locked in the receiver bushings.
- ▶ Pay particular attention to the stability against tipping, free running of the drive wheels and correct function of the wheel locks.
- ▶ Check the tyre pressure. The correct tyre pressure is printed on the sidewall. Ensure that the pressure is the same in both tyres.

It only takes a few simple steps to prepare the wheelchair for use:

- 1) Attach the drive wheels to the quick-release axle mounting. The quick-release axles must not be removable after releasing the push-button.
- 2) Loosen the safety strap.
- 3) Unfold the wheelchair.
- 4) **Only when equipped with a drive wheel with one-handed operation:** Insert the telescoping rod (see instructions for use (user)).
- 5) **If necessary:** Attach the leg supports. Fold the foot plate(s) down. When using a single-panel foot plate, be sure the support of the foot plate is locked into the receiver.

- 6) **If necessary:** Secure the seat cushion against sliding by pressing it onto the hook-and-loop fastener.

6 Settings

6.1 Prerequisites

WARNING

Making incorrect adjustments

Tipping over, falling or malposition of the user due to incorrect adjustments

- ▶ Adjustment and assembly work may be carried out only by qualified personnel.
- ▶ Only the adjustments described in these instructions for use may be carried out.
- ▶ Settings may only be changed within the allowable adjustment ranges; otherwise, the stability of the product may be impaired (see this section and the "Technical data" section). If you have questions, contact the manufacturer's service department (see inside back cover for addresses).
- ▶ Only conduct tests in the presence of an assistant.
- ▶ Unless expressly described, you may not change any settings with a person sitting in the product.
- ▶ Secure the user against falling out during all tests.
- ▶ Before testing setting changes with the user seated, firmly tighten all screw connections.
- ▶ Check for safe function before delivering the product.

CAUTION

Unsecured screw connections

Pinching, crushing, tipping over, falling of user due to assembly errors

- ▶ Always firmly re-tighten the mounting screws and nuts after changing settings. Observe the specified torques in doing so.
- ▶ Any time you loosen a screw connection with thread lock, replace it with a new screw connection with thread lock or secure the old screw connection with medium strength thread locker (e.g. Loctite 241).
- ▶ Always replace self-locking screws and nuts with new self-locking screws and nuts after disassembly.

Fine-tuning and adjustments should always be carried out in the presence of the user. The user should be sitting upright in the wheelchair while making adjustments.

All parts of the product should be cleaned thoroughly before adjustments are made.

The tools required for configuration and maintenance are summarised in the section "Appendices" (see Page 35 ff.).

6.2 Adjusting the drive wheels

WARNING

Lack of fine adjustment of the drive wheels

Tipping over, falling of the user due to incorrect adjustment

- ▶ Check the standard adjustments of the wheelchair for stability against tipping and function of the drive wheels. Avoid any extreme settings.

WARNING

Incorrectly adjusted wheelbase

Tipping over, falling of the user due to unstable settings

- ▶ Please note that with the drive wheel in a more forward mounting position and with an unfavourable body position, the user may tip backwards even on level ground.
- ▶ Use an anti-tipper for inexperienced users and with extreme settings of the drive wheel.
- ▶ Be sure to position the drive wheels towards the rear for transfemoral amputees. This improves the stability of the wheelchair.

INFORMATION

Changing the drive wheel position can also change the angle between the caster wheel journal and the ground. However, this must always be **approx. 90°** and thus readjusted accordingly. The knee lever wheel lock also has to be readjusted.

6.2.1 Setting the drive wheels horizontally

INFORMATION

The adjustments described below may **not be carried out on the CLT or CLT Ultra model**.

The horizontal drive wheel position is changed by moving the drive wheel adapter or the shock absorber horizontally in the frame. This has the following effects:

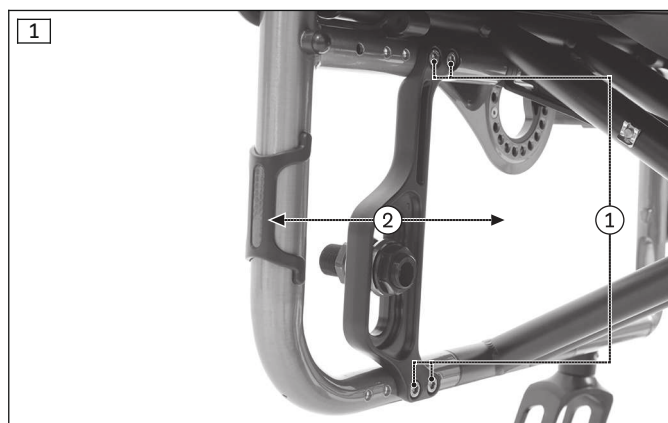
Position of drive wheel	Effects
Move backwards (passive setting)	<ul style="list-style-type: none"> • Larger wheelbase • Larger turning circle • Greater stability of the wheelchair • Wheelchair is harder to tip backwards when crossing obstacles • Position recommended for inexperienced users
Move forwards (active setting)	<ul style="list-style-type: none"> • Smaller wheelbase • Less load on caster wheels = greater manoeuvrability • Less stability of the wheelchair • Wheelchair is easier to tip backwards when crossing obstacles <p>INFORMATION: An anti-tipper should be installed if necessary.</p> <ul style="list-style-type: none"> • Setting recommended only for experienced users

6.2.1.1 Adjusting the drive wheel adapter position in the frame

The drive wheel adapter can be adjusted horizontally to four positions (see fig. 78 in the section “Technical data”). Additional positions for very active wheelchair settings are obtained by rotating the drive wheel adapter by 180° (see fig. 80 in the section “Technical data”).

Adjusting the horizontal position of the drive wheel adapter

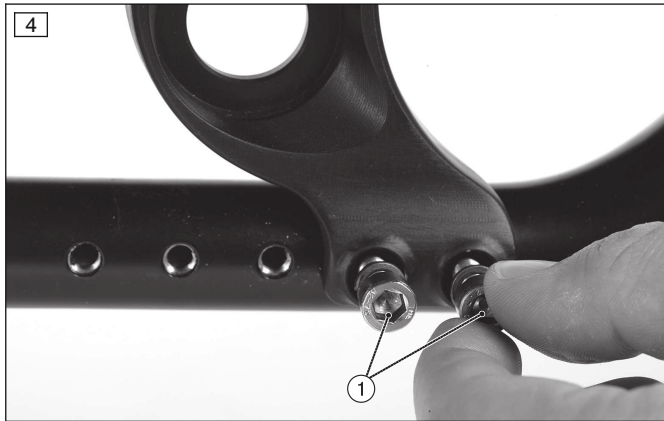
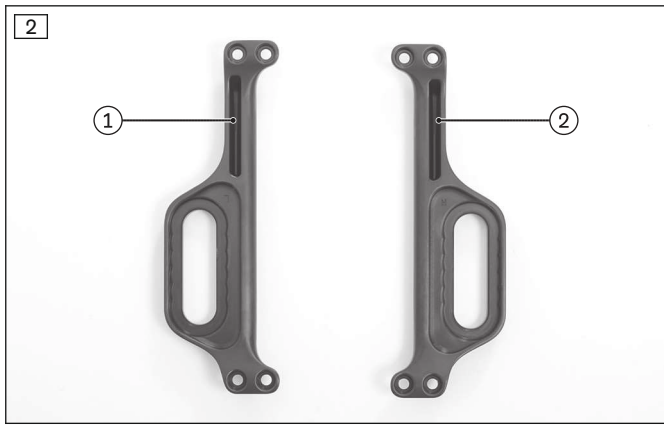
- 1) Loosen and remove the Allen head screws (see fig. 1, item 1).
 - 2) Move the drive wheel adapter to the desired position (see fig. 1, item 2).
 - 3) Insert the Schnorr washers and tighten the Allen head screws to **8 Nm** (see fig. 1, item 1).
- After the adjustment, the left and right drive wheel adapters must have the same horizontal position on the frame.



Rotating and adjusting the horizontal position of the drive wheel adapter

From position E, the drive wheel adapter must be rotated (see fig. 80 in the section “Technical data”) in order to be able to adjust the position of the drive wheel adapter even further forwards (for very active settings).

- 1) Loosen and remove the Allen head screws (see fig. 1, item 1).
- 2) Turn the drive wheel adapters **180°** about their own axis and swap them over:
 - Drive wheel adapter L (see fig. 2, item 1) goes on the right side.
 - Drive wheel adapter R (see fig. 2, item 2) goes on the left side.
- 3) Move the drive wheel adapter to the desired position (see fig. 3).
- 4) Insert the Schnorr washers and tighten the Allen head screws to **8 Nm** (see fig. 4).

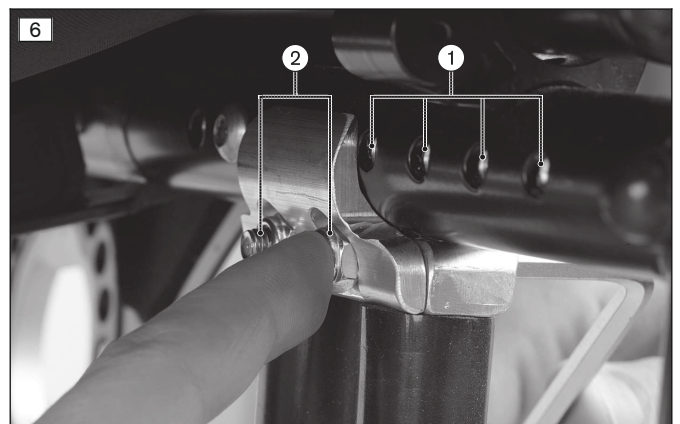
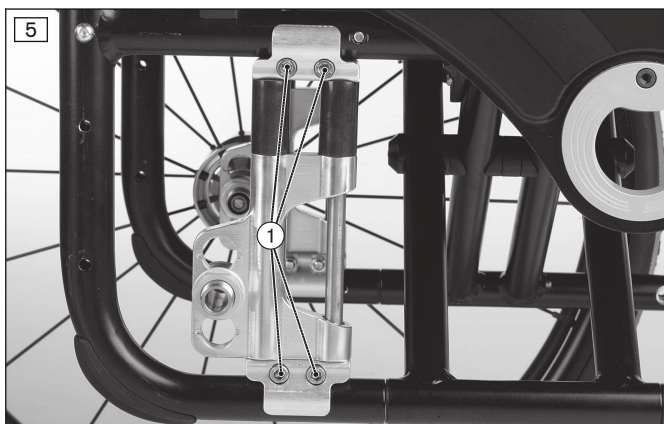


6.2.1.2 Adjusting the shock absorber in the frame

The shock absorber can be continuously adjusted in the horizontal direction in the frame.

- 1) Loosen the clamping bolts on the half shells of the shock absorber top and bottom (see fig. 5, item 1).
- 2) Move the shock absorber. Use the bores in the frame for orientation (see fig. 6, item 1).
- 3) Tighten the clamping bolts to **8 Nm** (see fig. 6, item 2).

→ Once changed, the left and right shock absorber must have the same horizontal position on the frame.



6.2.2 Adjusting the seat height and seat inclination

INFORMATION

The adjustments described below may **not be carried out on the CLT or CLT Ultra model**.

The seat height and the seat inclination are adjusted by moving the quick-release axle mounting (fitting)¹⁾ vertically in the drive wheel adapter. This has the following effects:

Position of drive wheel	Effects
Move upwards	<ul style="list-style-type: none"> • The higher the drive wheel position, the more the seat surface is tilted to the rear • Wheelchair is easier to tip backwards when crossing obstacles • The change in the centre of gravity results in a lower, more stable seat position in the wheelchair • The seat height can be further adjusted in combination with a height adjustment of the caster wheels.
Move downwards	<ul style="list-style-type: none"> • The lower the drive wheel position, the less the seat surface is tilted to the rear • Wheelchair is harder to tip backwards when crossing obstacles • The seat height can be further adjusted in combination with a height adjustment of the caster wheels.

¹⁾ The term “fitting” is the term used in the German and English spare parts catalogue. Alternatively, the instructions for use explain the function of the component, which is why the term quick-release axle mounting is used there.

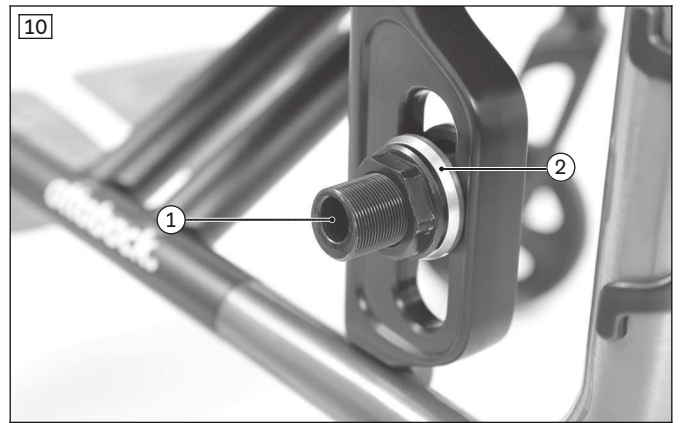
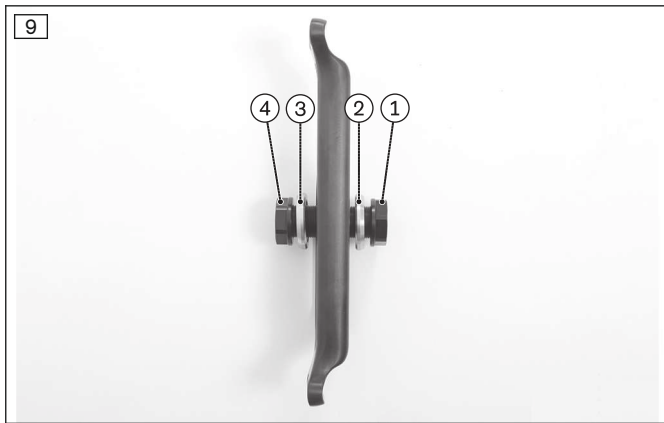
6.2.2.1 Adjustment in the drive wheel adapter

The drive wheel can be installed at six height positions in the drive wheel adapter (see fig. 78/see fig. 80). Six additional height positions are obtained by swapping the drive wheel adapters on the right and left sides and rotating them at the same time (see fig. 79/see fig. 81).

Adjusting the height within the drive wheel adapter

- 1) Loosen the hexagon nuts on both sides of the quick-release axle mounting (see fig. 7, see fig. 8).
- 2) Pull the quick-release axle mounting washers (see fig. 9, items 2/3) out until the quick-release axle mounting is moveable.
- 3) Slide the quick-release axle mounting with the hexagon nuts, quick-release axle mounting washers and sleeve to the desired position.
- 4) Note the following during assembly of the quick-release axle mounting:
 - Camber setting: This is adjusted via the angle of the bore in the quick-release axle mounting (see fig. 10, item 1, description: see Page 12).
 - Quick-release axle mounting washers: The respective chamfered edge of the quick-release axle mounting washers faces out (see fig. 10, item 2).
 - Alignment: Once changed, the left and right quick-release axle mountings must both have the same vertical and horizontal position in the drive wheel adapter.
- 5) Tighten the hexagon nuts on both sides of the quick-release axle mounting to **40 Nm**.





Six additional height positions by swapping the drive wheel adapters and rotating from top to bottom

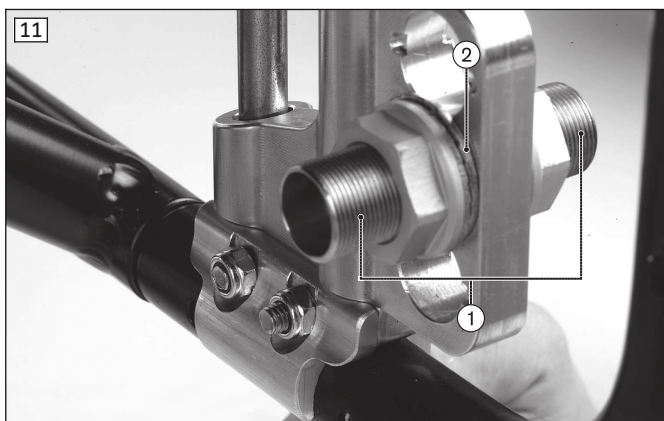
- 1) Note the horizontal installation position of the drive wheel adapter. Loosen and remove the Allen head screws (see fig. 1, item 1).
- 2) Turn the drive wheel adapters **180°** from top to bottom and swap them over:
 - Drive wheel adapter L (see fig. 2, item 1) goes on the right side.
 - Drive wheel adapter R (see fig. 2, item 2) goes on the left side.
- 3) Apply the drive wheel adapter in the horizontal installation position from step 1 (see fig. 3).
- 4) Insert the Schnorr washers and tighten the Allen head screws to **8 Nm** (see fig. 4).
- 5) Adjust the height of the quick-release axle mounting (see above, "Height adjustment within the drive wheel adapter").

6.2.2.2 Adjustment in the shock absorber

The drive wheel can be installed at 3 height positions on the shock absorber.

- 1) Loosen and remove the nut on one side of the quick-release axle mounting (see fig. 11, item 1).
 - 2) Remove and adjust the quick-release axle mounting.
 - 3) Reinsert the nut and tighten it to **40 Nm**.
- Once changed, the left and right quick-release axle mountings must both have the same vertical position in the shock absorber.

The drive wheel camber can also be adjusted in combination with the shock absorber. This is done by inserting a quick-release axle mounting with the desired angle into the shock absorber (see Page 12).



6.2.3 Adjusting the drive wheel camber

INFORMATION
 The adjustments described below may **not be carried out on the CLT or CLT Ultra model**.

The modular system of the product offers quick-release axle mountings with angled bores for different sloped settings of the drive wheels (see fig. 12).

The drive wheel camber is adjusted by exchanging the quick-release axle mounting. This has the following effects:

Position of drive wheel	Effects
0° position	<ul style="list-style-type: none"> Narrow track, excellent straight-line stability Low rolling resistance
Wheel camber	<ul style="list-style-type: none"> Wheelchair becomes more manoeuvrable, turns faster and tips less easily to the side The wheel position protects the hands when turning the handrim Overall width increases Increased rolling resistance

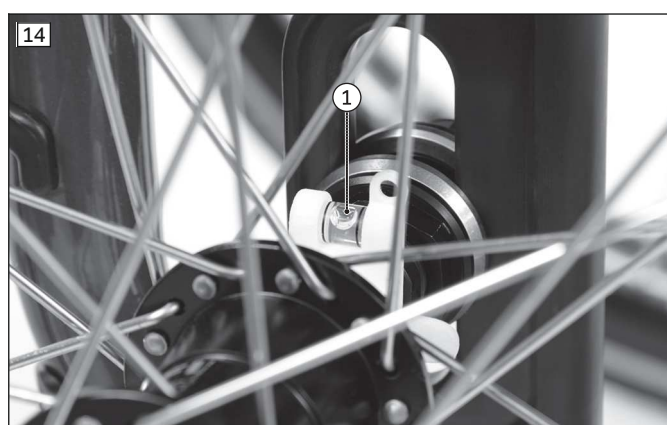
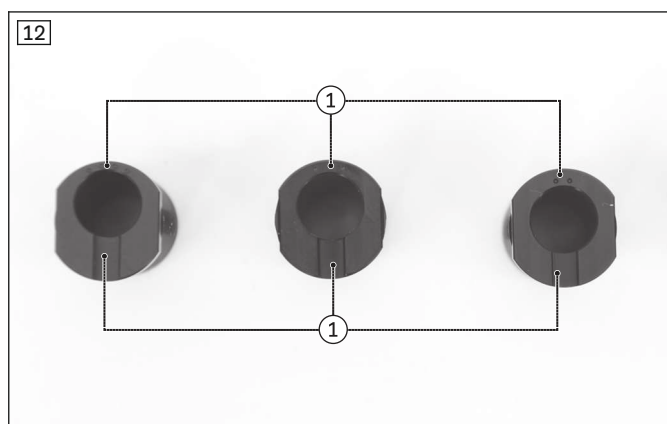
The drive wheel camber can be set to **0°, 2°, 3° and 4°**.

- 1) Unscrew the hexagon nuts on the quick-release axle mounting (see fig. 7).
- 2) Remove the quick-release axle mounting (see fig. 8).
- 3) Prepare the new quick-release axle mounting. The camber is embossed in the quick-release axle mounting (1°, 2°, 4° = 1, 2, 3 dots: see fig. 12, item 1).
- 4) Insert the chosen quick-release axle mounting together with the quick-release axle mounting washers (see fig. 9, items 2 and 3) and the hexagon nuts (see fig. 9, items 1 and 4) and tighten it slightly.

INFORMATION: The groove on the quick-release axle mounting respectively faces vertically down and out (see fig. 12, item 2).

INFORMATION: The respective chamfered edge of the quick-release axle mounting washers faces out (see fig. 10).

- 5) Slide the supplied assembly aid (spirit level) onto the quick-release axle with the drive wheel and insert the quick-release axle into the quick-release axle mounting (see fig. 13).
 - 6) The assembly aid must engage in the groove of the quick-release axle mounting (see fig. 13, item 1).
 - 7) Align the quick-release axle mounting so the spirit level is in the centre position (see fig. 14). Tighten the hexagon nuts to **40 Nm** (see fig. 15).
 - 8) Remove the drive wheel and take off the assembly aid.
 - 9) Reinstall the drive wheel.
- After adjustment, the camber of the left and right drive wheels must be the same.



6.2.4 Adjusting the track width (additional adjustment)

After the mounting nuts have been loosened, the position of the quick-release axle mounting can be adjusted in or out. This allows the distance between the drive wheel and the side panel to be continuously adjusted.

6.2.5 Adjusting the quick-release axle

The quick-release axle should be set so the wheel is correctly engaged, with no play on the axle.

- 1) Hold the quick-release axle by the head (wrench size: **19 mm**) and by the tip (wrench size: **11 mm**) with a ring and open-ended wrench respectively.
- 2) Adjust the play by turning the nut on the end of the quick-release axle (see fig. 16, item 1) in or out.



6.2.6 Adjusting the handrims

All handrims are designed for a spacing from the drive wheel of **15 mm** (standard setting) and **25 mm** (see fig. 17).

- 1) Loosen/remove the handrim screw connection from the rim.
- 2) Tightly screw the handrims onto the rim in the narrow or wide installation position (see fig. 18).



6.3 Adjusting the caster wheels

INFORMATION

The adjustments described below may **not be carried out on the CLT or CLT Ultra model**.

6.3.1 Adjusting the caster journal angle

When the drive wheels have been adjusted for the user, the caster journal angle must be adjusted at the caster wheel adapter.

The bolt of the caster fork in the caster wheel mounting (see fig. 26, item 1) must be perpendicular to the ground to ensure optimum wheelchair driving characteristics. The caster wheel adapter permits adjustment of this angle in 1.5° increments.

INFORMATION: Note that the caster wheel mounting has to be perpendicular to the ground both in the direction of travel and crosswise to the direction of travel after an angle adjustment. Therefore, always check the perpendicular position of the caster fork bolt crosswise to the direction of travel while adjusting the caster wheel journal angle. Adjust this correctly as needed.

INFORMATION

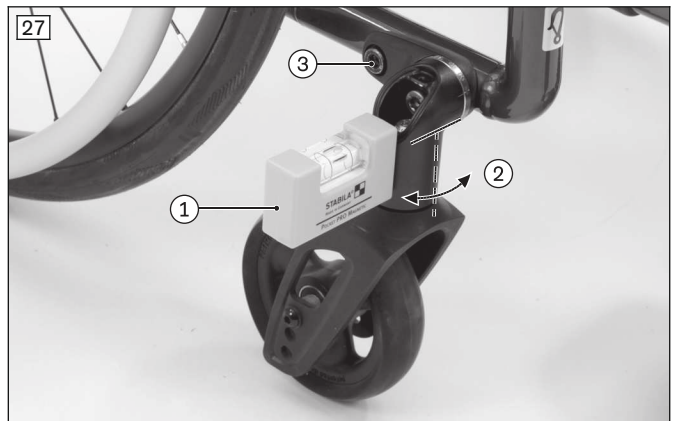
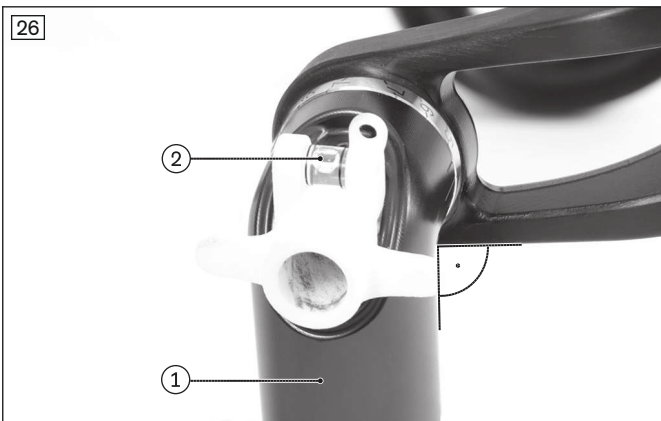
The markings that are visible when looking at the wheelchair or caster wheel adapter from the front are relevant for the adjustments described below. The setting in the range up to $\pm 10.5^\circ$ (long marking line) is shown in the following.

By moving the tenon jointing wheel on the caster wheel adapter, the caster wheel journal angle can be corrected in 1.5° increments starting from the zero position (see fig. 19) (scale value 1 corresponds to 1.5° , scale value 2 corresponds to 3° (see fig. 20), etc.):

- Long marking line (see fig. 20): settings in the range of 0 to $\pm 10.5^\circ$
- Short marking lines (see fig. 21): settings in the extended range from $\pm 12^\circ$



- 1) Loosen the Allen head screw on the caster wheel adapter (see fig. 22) and remove the cover.
- 2) Loosen the mounting screw for the caster wheel journal angle (see fig. 23) until the tenon jointing wheel on one side can be loosened from the caster wheel adapter and moves freely on one side (see fig. 24).
- 3) Set the expected appropriate angle (the long marking line on the retainer is applicable). Push the tenon jointing wheel back into the retainer on one side.
- 4) Loosen the other side of the tenon jointing wheel from the retainer. Turn the caster wheel adapter until the long marking line also indicates the same scale position on the tenon jointing wheel (see fig. 25).
- 5) Slightly tighten the mounting screw for the caster wheel journal angle (see fig. 23) and, by applying the supplied assembly aid, check whether the angle in the direction of travel is close to 90° (see fig. 26, item 1/2). If this is not the case, correct it again (see starting at step 2).
- 6) Also check the perpendicular position of the threaded axle crosswise to the direction of travel:
 - To do so, set a spirit level onto the caster head (see fig. 27, item 1) and check the perpendicular position (see fig. 27, item 2).
 - If necessary, also slightly loosen the mounting screw of the caster wheel adapter (see fig. 27, item 3). Move the threaded axle into the perpendicular position by hand.
- 7) Tighten the mounting screw for the caster wheel journal angle to **30 Nm** (see fig. 23). Tighten the mounting screw of the caster wheel adapter to **30 Nm** (see fig. 27, item 3).
- 8) Put on the cover and tighten the Allen head screw (see fig. 22).
- 9) For the caster head on the opposite side, set the tenon jointing wheel to the same scale value.



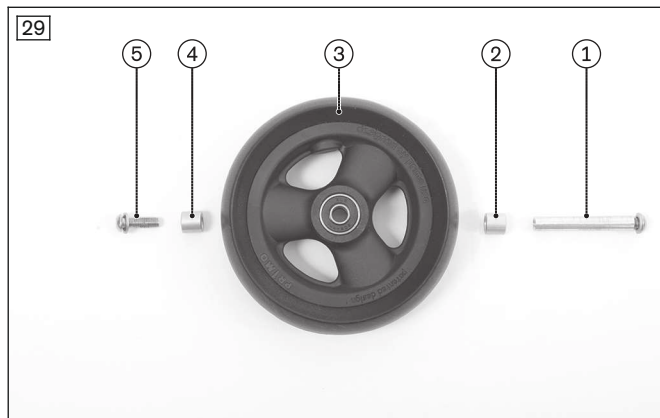
6.3.2 Changing the installation position of the caster wheels

INFORMATION
Please refer to the seat height table in the technical data.

The front seat height is adjusted using the row of holes in the fork and the diameter of the caster wheels.

- 1) Loosen the screw connection on the threaded sleeve (see fig. 28).
 - 2) Remove the threaded sleeve and spacer bushings.
INFORMATION: Note that the illustrated and described spacer bushings are not present with all offered caster wheels.
 - 3) Remove the caster wheel.
 - 4) Insert the threaded sleeve (see fig. 29, item 1) into the desired hole in the fork and slide on the first spacer bushing (see fig. 29, item 2) from the inside.
 - 5) Install the caster wheel (see fig. 29, item 3).
 - 6) Push on the second spacer bushing (see fig. 29, item 4).
 - 7) Insert the mounting screw (see fig. 29, item 5) and tighten the threaded sleeve to **8 Nm**.
- Once changed, the left and right caster wheels must have the same vertical position in the caster fork.

→ After changing the front seat height, always check the caster wheel journal angle and adjust it if necessary (see Page 14).



6.4 Adjusting the wheel locks

⚠ WARNING

Failure to verify brake functionality

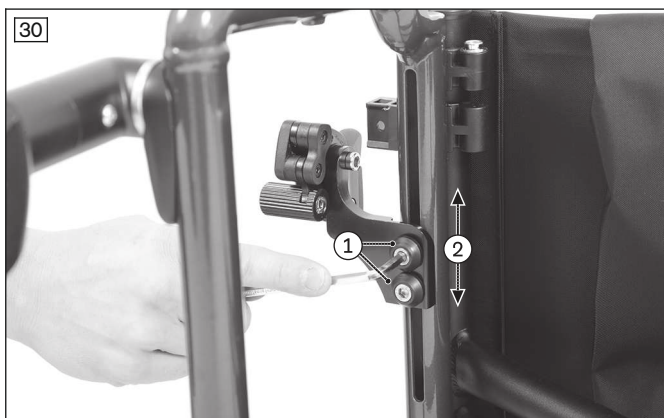
Accident, user falls due to incorrect adjustment and improperly inflated tyres

- ▶ Check the correct spacing between the wheel lock and tyre (see the following section for details).
- ▶ Check the correct position of the wheel lock bolt relative to the tyre. During braking, the wheel lock bolt has to cover at least half the tyre width.
- ▶ Always carry out adjustments to the wheel lock on both sides.
- ▶ Ensure that the user can operate the wheel lock without great effort. The force required to do so must not exceed 60 N.
- ▶ Check the tyre pressure of the drive wheels. Note the information in the section "Technical data" or on the tyre sidewall.
- ▶ Only use original drive wheels with a verified maximum radial out-of-round of **1 mm**.

This adjustment must be made after the drive wheel has been repositioned or during fine adjustment.

6.4.1 Adjusting the knee lever wheel locks

- 1) Loosen the Allen head screws between the knee lever wheel lock and the threaded stud in the frame tube (see fig. 30, item 1).
- 2) Adjust the knee lever wheel lock by sliding it (see fig. 30, item 2). When the wheel lock is disengaged, the gap between the tyre and wheel lock bolt must not exceed **5 mm**. (see fig. 31).
 - The distance between the wheel lock bolt and the drive wheel must be **1–5 mm** in the unbraked condition.
 - It must be possible to operate the wheel lock evenly and easily on both sides.
 - The wheel lock bolt must lock the drive wheel securely when stationary.
- 3) Evenly tighten the Allen head screws in the threaded stud to **8 Nm**.
 - After adjustment, the left and right knee lever wheel locks must both have the same braking force.



6.4.2 Adjusting the scissor wheel locks

- 1) Loosen the Allen head screws in the clamp brackets (see fig. 32, item 1).
- 2) Adjust/move the support for the scissor wheel lock to any position in the clamp bracket (see fig. 32, item 2).
- 3) Install the scissor wheel lock so that the full braking force is reached and the swivelling parts can also move freely without colliding.
 - The scissor wheel lock must not hit the frame when it is open (see fig. 32).
 - It must be possible to operate the wheel lock evenly and easily on both sides.
 - The wheel lock bolt must lock the drive wheel securely when stationary (see fig. 33).
- 4) Tighten both Allen head screws evenly to **12 Nm** in two passes (see fig. 32, item 1).
 - After adjustment, the left and right scissor wheel locks must both have the same braking force.



6.4.3 Adjusting the knee lever wheel lock for user and attendant

Presetting (as needed)

- 1) Loosen the Allen head screws between the knee lever wheel lock and the threaded stud in the frame tube (see fig. 34).
- 2) Adjust the knee lever wheel lock by sliding it.

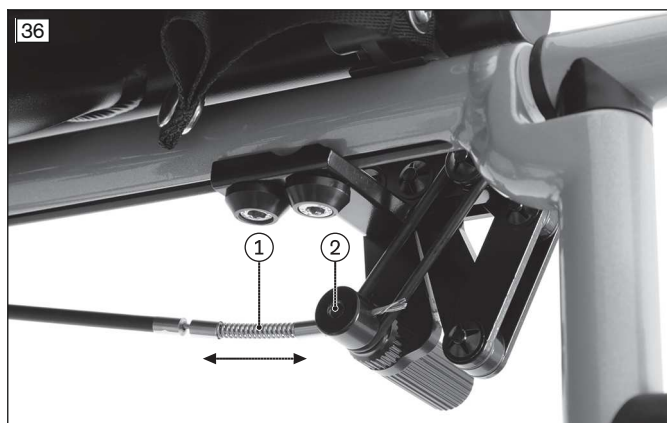
When the wheel lock is disengaged, the gap between the tyre and wheel lock bolt must not exceed **5 mm** (see fig. 35).

 - The distance between the wheel lock bolt and the drive wheel must be **1–5 mm** in the unbraked condition.
- 3) Evenly tighten the Allen head screws in the threaded stud to **8 Nm**.

Fine adjustment

- 1) Separate the Bowden cable mounting from the wheel lock bolt (see fig. 36, item 2).
- 2) Adjust the Bowden cable in the spring (see fig. 36, item 1).
- 3) Clamp the Bowden cable again by tightening the mounting.
 - It must be possible to operate the wheel lock evenly and easily on both sides.
 - The wheel lock bolt must lock the drive wheel securely when stationary.
- 4) **If necessary:** Shorten the Bowden cable to **10 mm** after making the adjustments (not illustrated).





6.4.4 Adjusting the knee lever wheel lock for one-handed operation

INFORMATION

To adjust the brake block on the active side: see the section "Adjusting the knee lever wheel lock".

This adjustment must be made after the drive wheel has been repositioned or during fine adjustment.

Presetting (as needed)

- 1) Loosen the Allen head screws between the knee lever wheel lock and the threaded stud in the frame tube (not illustrated, similar process: see fig. 34).
- 2) Adjust the knee lever wheel lock by sliding it.
When the wheel lock is disengaged, the gap between the tyre and wheel lock bolt must not exceed **5 mm** (similar illustration: see fig. 35).
→ The distance between the wheel lock bolt and the drive wheel must be **1–5 mm** in the unbraked condition.
- 3) Evenly tighten the Allen head screws in the threaded stud to **8 Nm**.

Fine adjustment

- 1) Separate the sleeve from the wheel lock bolt (see fig. 37).
- 2) Slide the sleeve onto the Bowden cable (see fig. 38).
- 3) Clamp the Bowden cable by tightening the nut (see fig. 37).
→ The brake has to operate easily.
→ The braking effect must be the same at both wheel lock bolts.
→ The wheel lock bolt must lock the drive wheel securely when stationary.
- 4) **If necessary:** Shorten the Bowden cable to **10 mm** after making the adjustments (not illustrated).



6.4.5 Adjusting the braking force of the drum brake

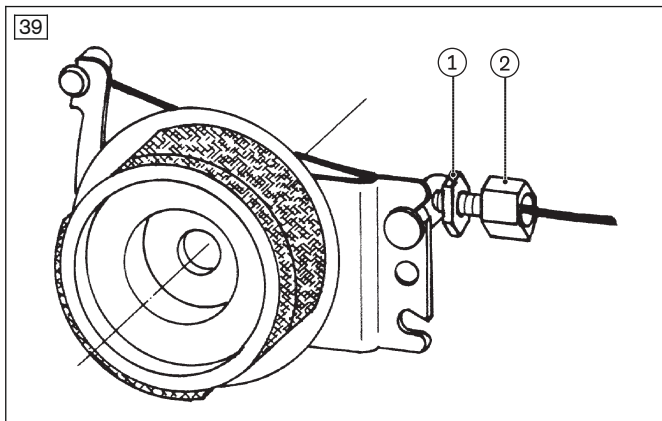
INFORMATION

After making adjustments, check that activating the manual brake lever creates a sufficient braking effect.

Note that the drum brake must still be able to produce sufficient braking force even when the manual brake lever is locked into a ratchet position.

To achieve an optimum braking effect, the braking force is adjusted using the adjustment screw (see fig. 39, item 2).

- **Increase the braking force:** Back off the adjusting screw.
 - **Reduce the braking force:** Screw in the adjustment screw.
- 1) Loosen the counter nut (see fig. 39, item 1) and back off the adjustment screw until a scraping noise can be heard when the rear wheel is rotated.
 - 2) Screw in the adjustment screw (see fig. 39, item 2) until the scraping noise at the rear wheel disappears and the wheel runs freely.
 - 3) Tighten the counter nut (see fig. 39, item 1) until the adjustment screw is fixed.
- The braking force of both rear wheels must be adjusted equally.



6.5 Adjusting the back support

INFORMATION

The adjustments described below may **not be carried out on the CLT or CLT Ultra model**.

6.5.1 Adjusting the back support height

Depending on the back support system, the back support height can be adjusted by **50 mm**, **75 mm** or **100 mm**. The back support tube integrated into the rear frame allows the back support height to be adjusted in steps of **25 mm**.

- 1) Remove the back support pad.
- 2) **If necessary:** Loosen the rear side panel mounting on the frame (see fig. 40, item 1) and fold away the side panel.
- 3) Loosen the back support upholstery (see fig. 41).
- 4) Remove the protective caps and remove the two back support tube mounting screws from the rear frame (see fig. 42).
- 5) Adjust the back support height as desired (see fig. 43, item 1).
- 6) Tighten the removed Allen head screws to **7 Nm**. Install the protective caps on the hexagon nuts.

→ Both back support tubes must be adjusted to the same height.

Properly reassemble all components upon completion of the adjustments. To adjust the back support upholstery: see Page 22.



6.5.2 Adjusting the back support angle

⚠ WARNING

Missing anti-tipper

Tipping over, falling of the user due to missing safety devices

- ▶ If the back is tilted far to the rear and in the case of a short wheelbase, 2 anti-tippers (one on each side) must be mounted and in a functional position; in the case of a long wheelbase, at least one anti-tipper must be mounted and in a functional position.
- ▶ Check that the anti-tipper is securely attached.

When using a back support with angle adjustment, the back support angle can be adjusted from **+9° to -15°** in 6° steps to meet the needs of the user.

When using the back support with angle adjustment in combination with desk side panels, the back support angle can only be adjusted from **+3° to -9°**.

1) Loosen the mounting screw (Allen head screw).

NOTICE! Ensure that the mounting screw is loosened enough to avoid damage to the ratchet mechanism.

2) Carry out the adjustment in the same way on both sides.

3) Re-tighten the mounting screw.



6.6 Adjusting the back support upholstery / seat upholstery

6.6.1 Adjusting the back support upholstery

INFORMATION

A well-adjusted backrest provides lasting comfort for the wheelchair user and reduces the risk of secondary damage and pressure zones. Do not create too much pressure.

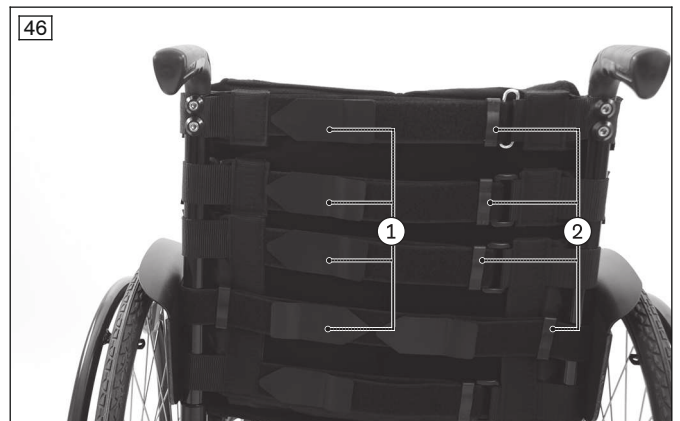
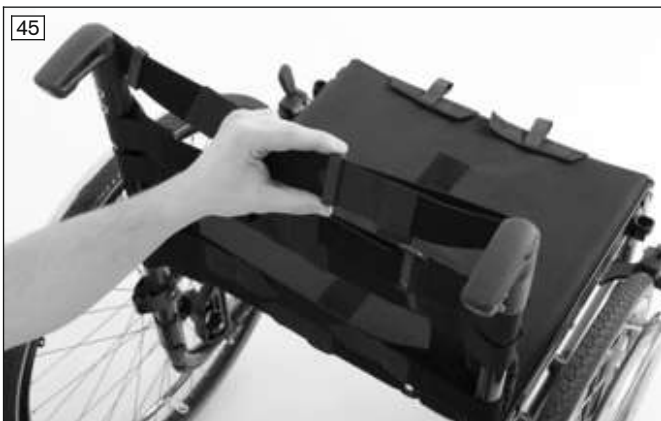
INFORMATION

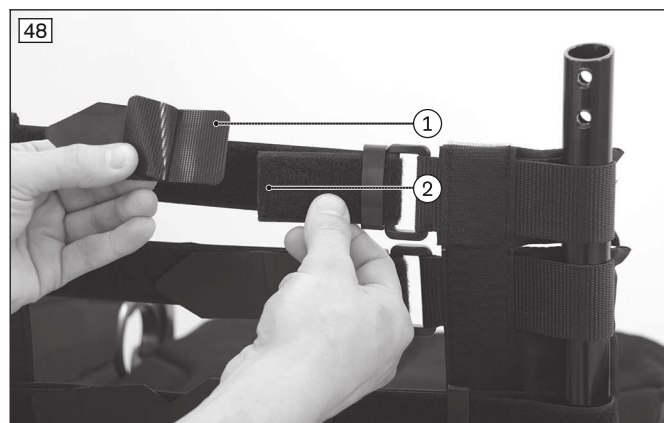
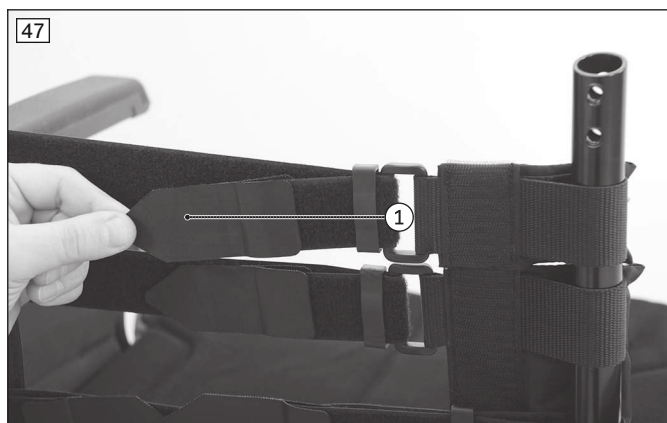
Ensure that the user's pelvis is positioned as far back in the wheelchair as possible, i.e. between the back support tubes.

6.6.1.1 Adapting the adjustable back support upholstery

The back support upholstery can be adapted in segments to the needs of the user (see fig. 45).

- 1) Remove the back support pad.
- 2) Loosen the hook-and-loop fastener of the upholstery straps (see fig. 46, item 1; see fig. 47, item 1).
- 3) Fasten the upholstery straps with the desired tension using the hook-and-loop fastener.
If necessary, unthread/thread the upholstery straps from/through the flaps to do so (see fig. 46, item 2).
- 4) If the upholstery straps are too long, they can be shortened. To do so, remove the end pieces from the upholstery straps (see fig. 48, item 1), trim the upholstery straps (see fig. 48, item 2) and reinstall the end pieces.
- 5) Put on the back support pad and attach it with the hook-and-loop fastener.





6.6.1.2 Adjusting the “ultralight” back support upholstery

The back support upholstery can be adapted somewhat to the needs of the user by adjusting the length of the upper strap.

- 1) Remove the back support pad.
- 2) Loosen the hook-and-loop fastener of the upper strap (see fig. 49).
- 3) Use the hook-and-loop fastener to fasten the upper strap with the desired tension.



6.6.2 Adjusting the seat upholstery

The seat upholstery usually does not need to be adjusted during the initial fitting. However, re-tightening the slack is possible. Corrections to the centre of gravity must be made by making changes to the settings on the frame, the axle unit and the caster wheels.

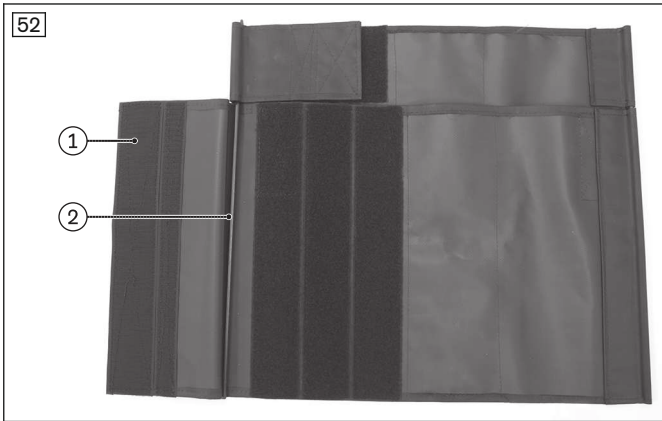
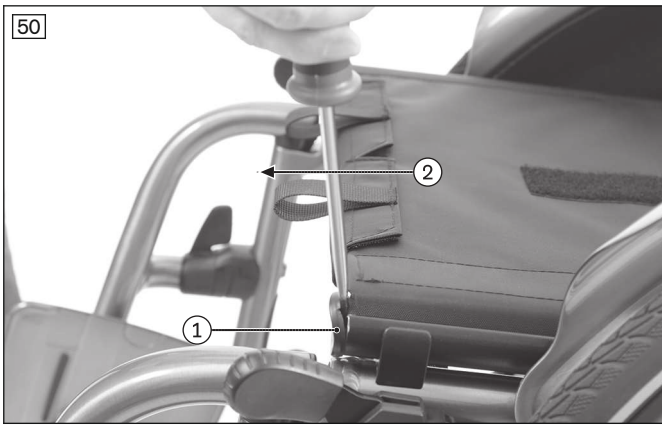
“Ultralight” seat upholstery

There are no adjustment possibilities for the “ultralight” seat upholstery.

“Complete” seat upholstery (two-piece) and seat upholstery with storage compartments

> **Prerequisite:** The seat cushion has been removed.

- 1) Remove the caps (see fig. 50, item 1/2).
- 2) Slightly fold the crossbrace and pull the seat upholstery out of the crossbrace (see fig. 51).
- 3) Loosen the hook-and-loop fastener on the underside of the seat upholstery (see fig. 52, item 1).
- 4) Tighten or loosen the seat upholstery. Close the hook-and-loop fastener again. Make sure the upholstery bars are inserted correctly (see fig. 52, item 2).
- 5) Slide the seat upholstery onto the crossbrace with the help of the upholstery bars (see fig. 53, item 1).
- 6) Replace the caps and insert them into the frame tube using a soft-faced hammer.
- 7) Unfold the wheelchair. In doing so, the crossbrace must be seated fully in the support guides.



6.7 Adjusting the leg supports

The distance between the footplates and the sitting surface influences sitting stability. The height adjustment acts on the pelvis and ischial bones.

6.7.1 Adjusting the lower leg length

The required leg support height depends on the lower leg length of the user and the thickness of the seat cushion.

Legrests/tube footrest on the Avantgarde DS

- 1) Loosen the Allen head screw on the front frame (see fig. 54).
- 2) Adjust the lower leg length (measurement to the top edge of the seat upholstery, see fig. 55).
INFORMATION: There are several threaded holes on the frame tube. Depending on the desired setting, the Allen head screw may have to be completely removed and inserted into a different hole.
INFORMATION: There are three threaded holes in the tube foot support. These have to be aligned with the threaded holes in the frame tube. Using one Allen head screw per tube foot support is sufficient for installation.
- 3) Tighten each Allen head screw to **7 Nm**.



Legrests/tube footrest on the Avantgarde DV

- 1) Loosen the Allen head screw (see fig. 56).
- 2) Continuously adjust the lower leg length (measurement to the top edge of the seat upholstery, see fig. 57). Ensure that the tube foot support is inserted at least **40 mm** into the leg support holder.
INFORMATION: A mark on the tube foot support indicates the minimum distance the tube foot support must be inserted during installation.
- 3) Tighten the Allen head screw to **7 Nm**.



Elevating legrest on Avantgarde DV

- 1) For adjustment, loosen the Allen head screw (see fig. 58). Then the tube footrest can be moved as needed.
- 2) Adjust the tube footrest to the desired lower leg length.
- 3) Retighten the Allen head screw (see fig. 58).



6.7.2 Adjusting the support angle

The leg support angle setting should be chosen so that the ankle is in a relaxed, comfortable position.

Single panel footplate

- 1) Loosen and remove the Allen head screw on the footplate suspension on the left side (see fig. 59).
- 2) Turn the footplate to the desired angle (see fig. 60).
- 3) Tighten the Allen head screw to **8 Nm**.



Segmented footplate

- 1) Loosen the Allen head screw on the footplate suspension (see fig. 61).
- 2) Turn the footplate joint to the desired angle (see fig. 62).
- 3) Tighten the Allen head screw to **8 Nm**.



Elevating legrest on Avantgarde DV

- 1) Loosen the countersunk screw on the foot plate (see fig. 63).
- 2) Turn the foot plate to the desired angle (see fig. 64).
- 3) Tighten the countersunk screw to at least **6 Nm** (see fig. 63).

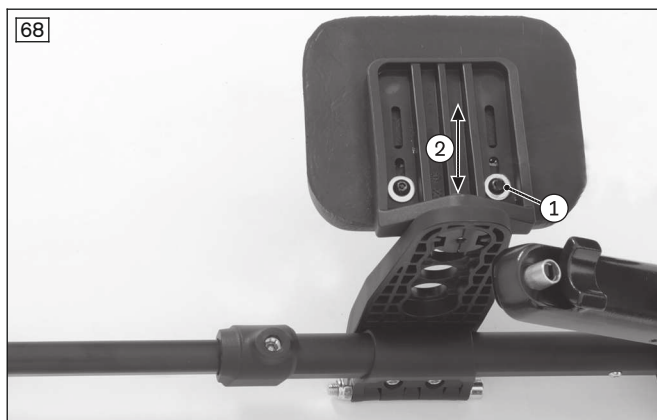
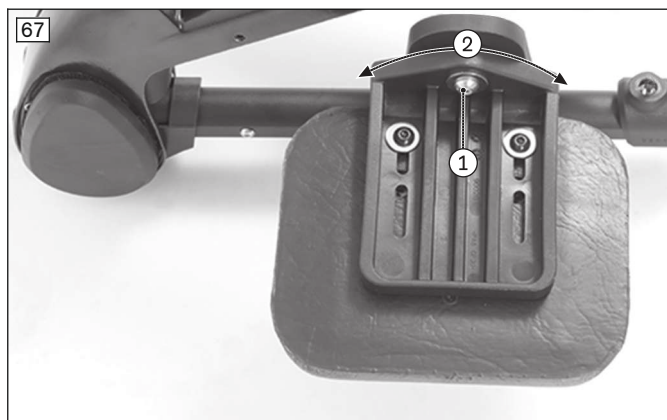
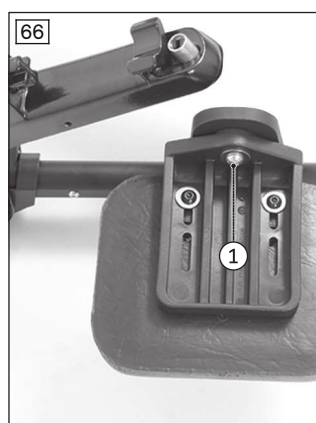
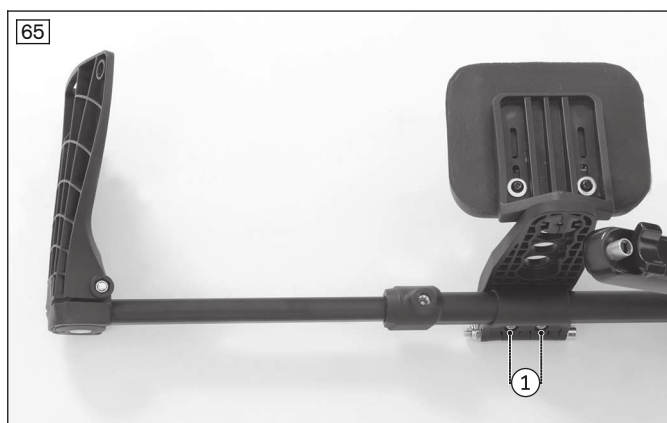


6.7.3 Adjusting the posterior lower leg pad on the elevating leg support

The posterior lower leg pad on this leg support is adjustable in height, depth, width and angle.

- 1) **Height adjustment:** Loosen the Allen head screws on the clamp brackets (see fig. 65, item 1). Slide the posterior lower leg pad to the desired height and firmly retighten the Allen head screws.

- 2) **Depth adjustment:** Loosen and remove the Allen head screw on the posterior lower leg pad: (see fig. 66, item 1). Move the posterior lower leg pad to one of the 4 possible positions (see fig. 66, item 2) and firmly retighten the Allen head screw.
- 3) **Angle adjustment:** Loosen the Allen head screw on the posterior lower leg pad (see fig. 67, item 1). Set the desired angle and firmly retighten the Allen head screw.
- 4) **Width adjustment:** Loosen the Allen head screws on the posterior lower leg pad (see fig. 68, item 1). Slide the posterior lower leg pad to the desired position (see fig. 68, item 2) and firmly retighten the Allen head screws.

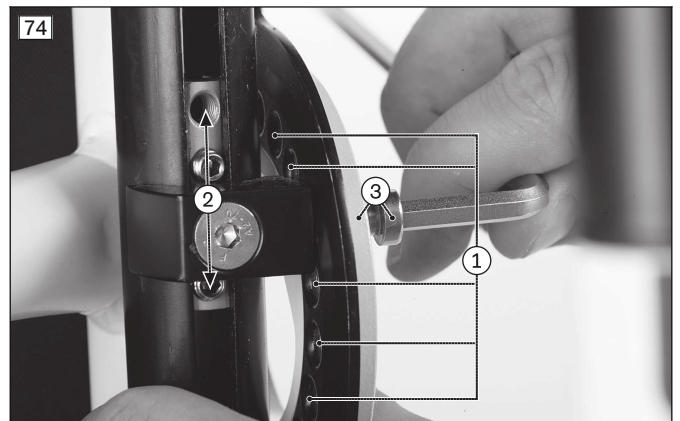
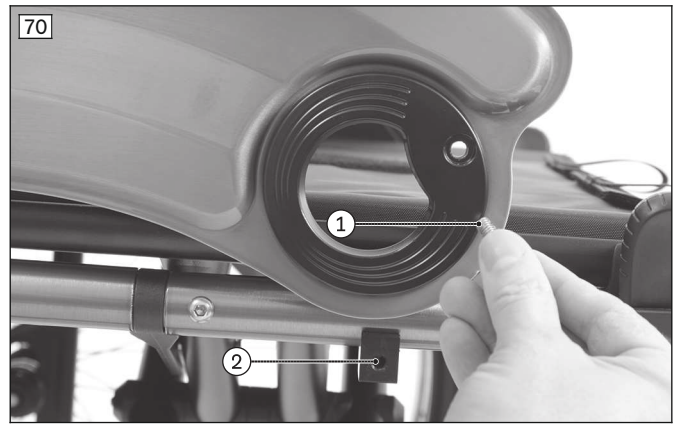


6.8 Adjusting the side panels

6.8.1 Adjusting the “standard” and “clothing guard” side panels

If the drive wheel position is changed, fine adjustment of the side panels is necessary. The clothing protector (see fig. 69) can be adjusted continuously to the position of the drive wheels.

- 1) Remove the drive wheel.
- 2) Loosen the mounting screw between the side panel and slide block (see fig. 70, items 1/2).
- 3) Loosen the bolt in the adjustment groove of the backrest tube from the inside (see fig. 71).
- 4) If necessary, slightly loosen the slide block on the bottom of the frame (see fig. 72).
- 5) Unscrew and remove the cover from the adjustment disc (see fig. 73).
- 6) Push on the drive wheel to determine the position.
- 7) Adjust the position:
 - Front: align the correct hole on the adjustment disc with the mounting point on the slide block (see fig. 74, item 1).
 - Drive: Adjust the angle (see fig. 71).
 - Slide block: If necessary, adjust the depth position (see fig. 74, item 2).
- 8) Screw on the cover of the adjustment disc (see fig. 73). The marks on the disc help to find the position. Ensure that the side panel can be fastened to the slide block through the cover (see fig. 74, item 3).
- 9) Securely retighten all the screws.
- 10) Push on the drive wheel and ensure that it can rotate freely.
 - After adjustment of both side panels, both drive wheels must rotate freely without scraping noises.



6.8.2 Adjusting the forearm support height

Adjusting the armrest height is described in more detail in the included instructions for use (user).

6.8.3 Installing and adjusting the swivel unit and forearm supports

The swivel unit is mounted on the side panel of the wheelchair with a clamp bracket. The channel forearm pad (modular forearm support) is mounted on the moveable part of the swivel unit.

Assembly is described in more detail in the instructions for use supplied with the swivel unit – reference number 647G411.

Adjusting the swivel unit with forearm support is described in more detail in the supplied instructions for use (user).

6.9 Adjusting the anti-tipper

⚠ WARNING

Incorrect installation of the anti-tipper/missing anti-tipper

Tipping over, falling of the user due to failure to observe the installation instructions and because of incorrect adjustment

- ▶ Depending upon the settings of the chassis, the centre of gravity, the back angle and the experience of the user, the use of an anti-tipper may be necessary.
- ▶ For a small wheelbase and a backrest that is tilted far back, an anti-tipper may need to be installed on both sides, depending upon the user's experience.
- ▶ Verify that the anti-tipper has been installed and adjusted properly. Find the appropriate position with the assistance of a helper.

⚠ WARNING

Anti-tipper not intended

Tipping over of the user due to missing safety devices

- ▶ For the CLT and CLT Ultra versions with permanently welded drive wheel adapter, installation of an anti-tipper is not intended.
- ▶ Therefore examine the user intensively for suitability (adequate physiological capabilities) before fitting the user with this version. These wheelchair versions are intended only for experienced users with sporting ambitions who, thanks to their physiological capabilities, are able to handle the wheelchair proficiently.

INFORMATION

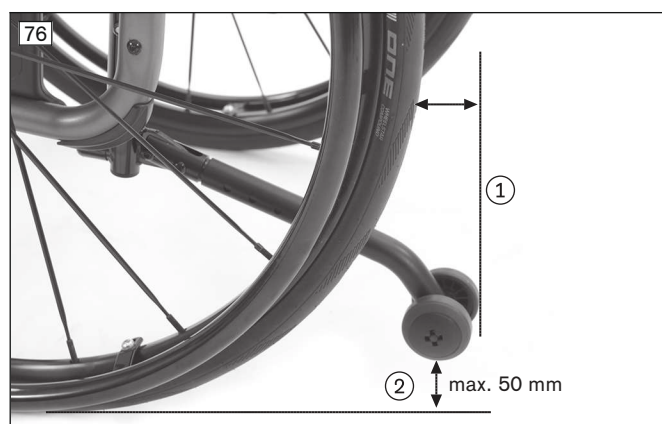
In order to adjust the anti-tipper correctly, it may be necessary to combine the steps to adjust the length and angle.

Adjusting the length of the wheel retainer

- 1) Remove the Allen head screw on the wheel retainer (see fig. 75, item 1).
- 2) Adjust the length of the wheel retainer (see fig. 75, item 2).
- 3) Tighten the wheel retainer. The outer edge of the anti-tipper roller has to project beyond the largest diameter of the tyre (see fig. 76, item 1).

Adjusting the wheel retainer angle

- 1) Remove the Allen head screw between the anti-tipper tube and the angle adjuster (see fig. 75, item 3).
- 2) Loosen the second Allen head screw on the angle adjuster (see fig. 75, item 4).
- 3) Set the angle of the wheel retainer.
- 4) Tighten the wheel retainer. The maximum permissible distance between the anti-tipper rollers and floor is **50 mm** (see fig. 76, item 2).



6.10 Adjusting the lap belt

⚠ CAUTION

Incorrect approach to the adjustment process

Injuries, malpositions, user discomfort due to adjustment errors

- ▶ The qualified personnel is responsible for the individual positioning and fitting of the belt system.
- ▶ Adjusting the belt system too tightly may lead to unnecessary pain or user discomfort.
- ▶ Adjusting the belt system too loosely can cause the user to slide into a dangerous position. In addition, the fastening snaps could open unintentionally if they slide against hard parts of clothing (e.g. buttons).

⚠ CAUTION

Lack of instruction

Injuries, malpositions, illness of the user due to incorrect information

- ▶ The qualified personnel is responsible for making sure that the user and/or attendant/nursing staff has understood the proper adjustment, use, maintenance and care of the belt system.
- ▶ In particular, ensure that the user and/or attendant/care staff knows how to quickly loosen and open the product to avoid delays in case of emergency.

Information on the settings can be found in the manufacturer's instructions for use accompanying each product.

6.11 Adjusting the tray

The tray slides onto the arm supports.

If the tray holder was not adapted to the arm support height, this can be done with the help of the enclosed instructions for use or assembly instructions.

7 Delivery

7.1 Final inspection

A final check must be carried out before the wheelchair can be handed over:

- Are all options installed according to the order form?
- Are the drive wheels correctly positioned?
- Do the quick-release axles rotate freely and lock securely?
- Have the tyres been correctly inflated?
INFORMATION: The correct tyre pressure is printed on the tyre sidewall. For drive wheels with high-pressure tyres, the minimum air pressure is 7 bar.
- Only after adjustment: Have the brakes (wheel locks) been adjusted correctly?
- Only after adjustments: Has the respective caster journal angle been adjusted vertically?
- Only after adjustments: Has the anti-tipper been adjusted correctly?

7.2 Transport to the customer

NOTICE

Use of unsuitable packaging

Damage to the product caused by transportation using incorrect packaging

- ▶ Use only the original packaging for delivery of the product.

The wheelchair should be transported to the user in disassembled state using the outer packaging.

7.3 Handing over the product

⚠ WARNING

Lack of instruction

Tipping over, falling of the user due to lack of knowledge

- ▶ Instruct the user or the attendant in the proper use of the product when handing it over.

The following steps must be performed for the safe delivery of the product:

- Conduct a sitting test with the user of the product. Pay special attention to proper positioning according to medical considerations.
- The user and any attendants must be instructed in the safe use of the product. In particular, the enclosed instructions for use (user) are to be used.
- The instructions for use (user) must be issued to the user/attendant during handover of the wheelchair.
- **Depending on equipment:** The supplied instructions for use for accessories have to be handed over in addition.

8 Maintenance and repair

The manufacturer recommends regular maintenance of the product every **12 months**.

Further information on caring for the product and on maintenance/repair can be found in the instructions for use (user).

Detailed information on repairs can be found in the service manual.

9 Disposal

9.1 Disposal information

All components of the product must be disposed of properly in accordance with the respective national environmental regulations.

9.2 Information on re-use

CAUTION

Used seat padding

Functional and/or hygienic risks due to re-use

- Replace the seat padding if the wheelchair is to be re-used.

The product is suitable for re-use.

Similar to second-hand machines or vehicles, products that are being re-used are subject to increased strain. Features and performance must not change in a way that could impair the safety of users or third parties during the period of use.

The relevant product must be thoroughly cleaned and disinfected before re-use. Then have the product inspected by qualified personnel with respect to its condition, wear and tear, and damage. Worn and damaged parts as well as components that do not fit or are unsuitable for the user must be replaced.

Detailed information on replacing components as well as information on the required tools can be found in the service manual.

10 Legal information

All legal conditions are subject to the respective national laws of the country of use and may vary accordingly.

10.1 Liability

The manufacturer will only assume liability if the product is used in accordance with the descriptions and instructions provided in this document. The manufacturer will not assume liability for damage caused by disregarding the information in this document, particularly due to improper use or unauthorised modification of the product.

10.2 Warranty

Further information on the warranty terms and conditions is available from the manufacturer's service (see inside back cover for addresses).

10.3 Service life

Expected lifetime: **4 years**

The design, manufacturing and requirements for the intended use of the product are based on the expected lifetime. These also include the requirements for maintenance, ensuring effectiveness and the safety of the product.

11 Technical data

INFORMATION

- ▶ Much of the technical data below is given in mm. Please note that product settings – unless otherwise specified – cannot be adjusted in the mm range but only in increments of approx. **0.5 cm** or **1 cm**.
- ▶ Note that the values achieved during adjustment may deviate from the values specified below. The deviation can be **±10 mm** and **±2°**.

Avantgarde DS/DV – general information

	DS	DV
Max. load [kg]	140 ¹⁾	140 ¹⁾
Weight [kg]	From 8.7 ²⁾	From 9.7 ²⁾
Transport weights [kg]	Frame: from 6.1 ²⁾ 24" drive wheel: from 1.3 (including quick-release axle) ²⁾	Frame: from 5.6 ²⁾ Leg support: from 0.75 ²⁾ 24" drive wheel: from 1.3 (including quick-release axle) ²⁾
Seat width [mm]	320–520	320–520
Front seat height [mm]	380–540	380–540
Rear seat height [mm]	360–510	360–510
Seat depth [mm]	360–540	360–540
Overall length [mm]	720–1040 ³⁾	720–1040 ³⁾
Overall width [mm]	490–725	490–725
Overall height [mm]	580–1100	580–1100
Folding size from [mm]	260	260
Back support angle [°]	-9–+30	-9–+30
Back support height [mm]	250–550	250–550
Lower leg length [mm]	160–550	160–550
Angle leg support to seat bottom [°]	0–15	0–15
Distance from arm support to seat [mm]	245–340	245–340
Positioning of the arm support [mm]	175–250	175–250
Horizontal axle position [mm]	32.5–150.5	32.5–150.5
Anterior frame angle [°]	70/80	75
Drive wheels	22", 24", 25"	22", 24", 25"
Caster wheels	3", 4", 5", 5.5", 6"	3", 4", 5", 5.5", 6"
Permissible tyre type	Pneumatic, PU or solid rubber/ 1", 1 3/8"	Pneumatic, PU or solid rubber/ 1", 1 3/8"
Min. tyre pressure [bar]	7 ⁴⁾	7 ⁴⁾
Minimum turning radius [mm] ⁵⁾	560–740	560–740
Handrim diameter [mm]	470–560	470–560
Maximum permissible inclination [°]/[%] ⁶⁾⁷⁾⁸⁾	7/12.3	7/12.3

¹⁾ With CLT, CLT Ultra option: 100 kg

²⁾ The specified weights vary according to the selected options and model.

³⁾ +95 mm with wheelbase extension

⁴⁾ Varies according to tyre option; see the marking on the tyre wall.

⁵⁾ In accordance with ISO 7176-5.

⁶⁾ Also applies for parking with wheel lock engaged.

⁷⁾ Applies to all directions (upwards, downwards, sideways).

⁸⁾ In accordance with ISO 7176-1.

Increase of the overall width because of the wheel camber setting of the drive wheels (all models) [mm]

Wheel camber	22" drive wheel	24" drive wheel	25" drive wheel
0°	0	0	0
2°	< 40	40	> 40
3°	< 60	60	> 60
4°	< 80	80	> 80

Avantgarde DV/DS – front seat height^{1), 2)} [mm]

Caster fork	Caster fork bore (see fig. 77)	Seat height adapter 481F160=SE007	Resulting seat height [mm] for caster wheel size				
			3"	4"	5"	5.5"	6"
Short fork (only 2 bores)	1	X	420 / 430	440	–	–	–
		–	390	410	–	–	–
	2	X	410	–	–	–	–
		–	380	–	–	–	–
Standard fork (see fig. 77)	1	X	–	–	490	490	500
		–	–	–	450	460	470
	2	X	–	460	470	480	490
		–	–	430	440	450	460
	3	X	440	450	460	470	470
		–	400	420	430	440	450
Long fork	1	X	–	–	520	530	540
		–	–	–	490	500	500
	2	X	–	500	510	520	530
		–	–	470	480	490	490
	3	X	460 / 470	480 / 490	500	510	520
		–	450	460	470	470	480

¹⁾ The front seat height depends on the selected caster wheel size, caster fork and mounting position.

²⁾ Specified at 0° seat angle, without seat cushion.

Avantgarde DS/DV – rear seat height^{1), 2), 3)} [mm]

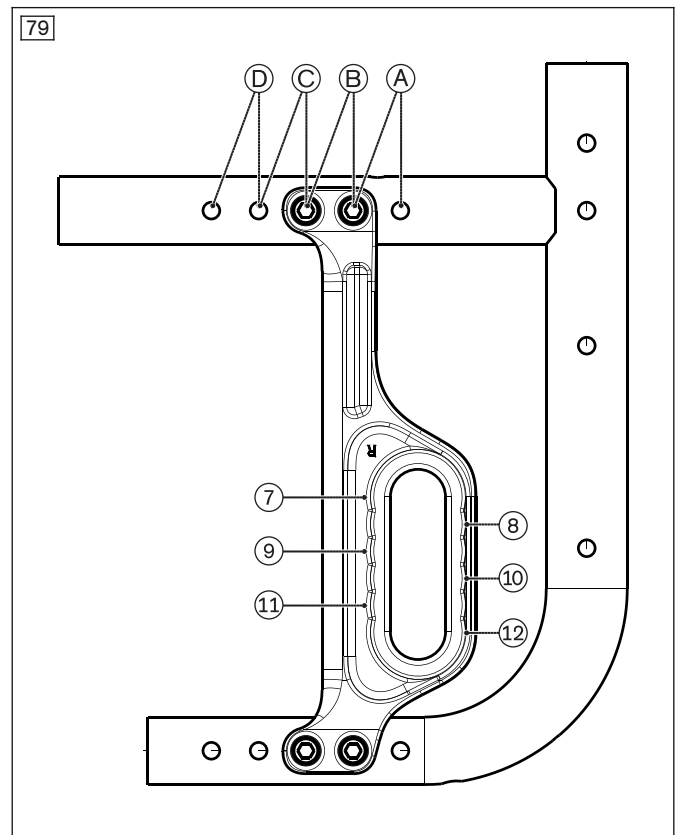
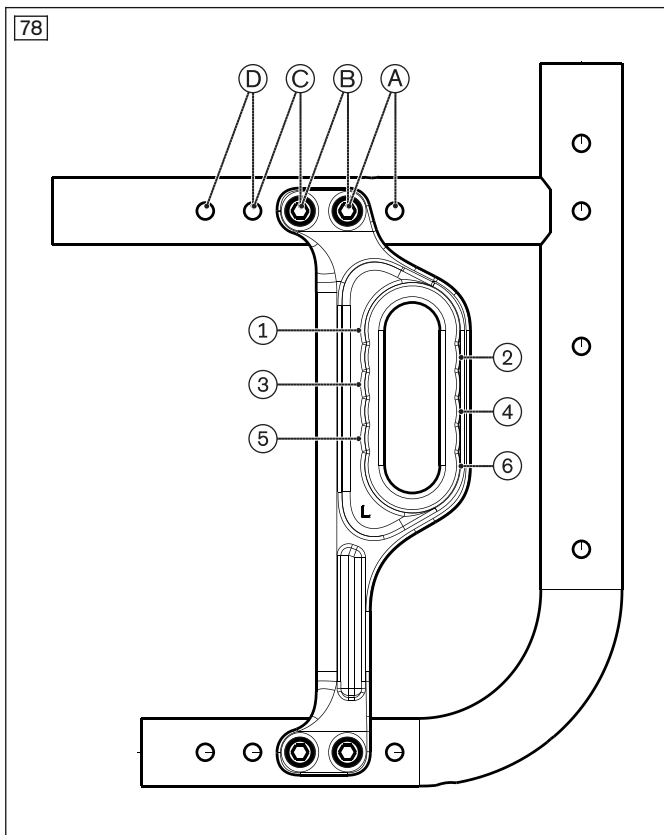
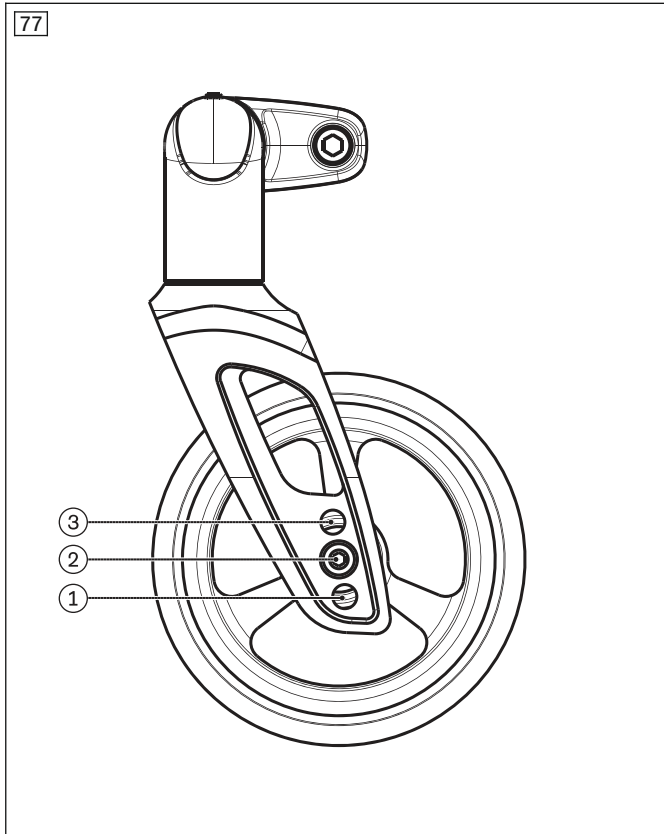
drive wheel size	Setting range
22"	360 – 470
24"	380 – 490
25"	400 – 510

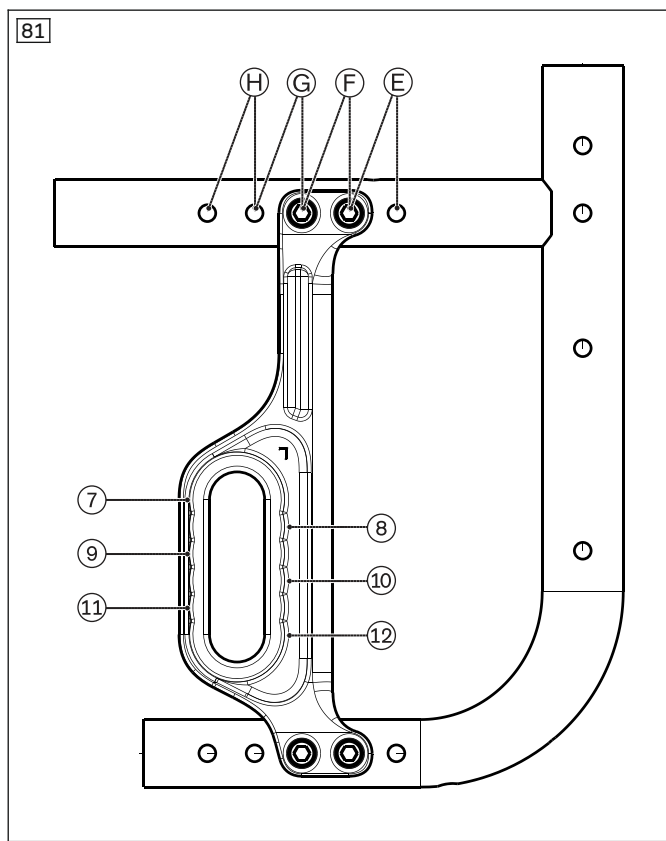
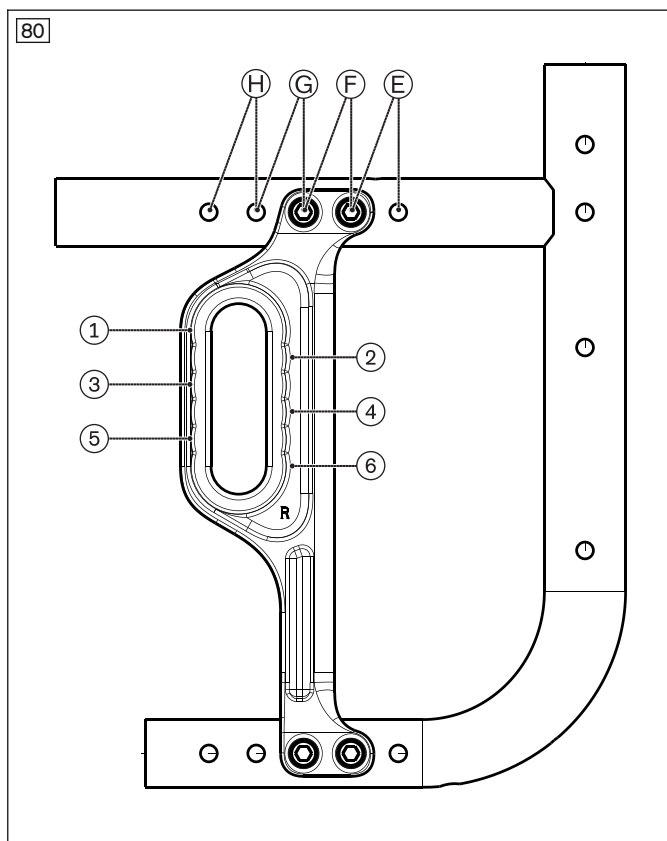
¹⁾ The rear seat height depends on the selected wheel size and mounting position in the drive wheel attachment device.

²⁾ From position E, the drive wheel adapter must be turned around (see fig. 79): right side to the left side and left side to the right side.

³⁾ CLT, CLT Ultra option: See the order form for the exact values for "rear seat height".

Avantgarde DV/DS – Drawings for adjustment possibilities of the seat height and wheelbase





Ambient conditions

Temperatures and relative humidity	
Operating temperature [°C (°F)]	-10 to +40 (14 to 104)
Transport and storage temperature [°C (°F)]	-10 to +40 (14 to 104)
Relative humidity [%]	45 to 85; non-condensing

12 Appendices

12.1 Required tools

The following tools are required for adjustments and maintenance work:

- Allen keys in sizes 3, 4, 5
- Allen key (DIN 6911) of sizes 4, 5 and 6
- Ring and open-end wrenches in sizes 10, 11, 19, 24 and 27
- Socket wrenches in sizes 10, 19 and 27
- Phillips head screwdriver (size: 2)
- Screwdriver (blade width: 2.5 mm)
- Torque wrench (measurement range 3–50 Nm)

12.2 Torque values of the screw connections

Unless otherwise specified, screw connections are tightened with the following torque values:

- Thread diameter M4: 3 Nm
- Thread diameter M5: 5 Nm
- Thread diameter M6: 8 Nm
- Thread diameter M8: 20 Nm

Kundenservice/Customer Service

Europe

Otto Bock HealthCare Deutschland GmbH
Max-Näder-Str. 15 · 37115 Duderstadt · Germany
T +49 5527 848-3433 · F +49 5527 848-1460
healthcare@ottobock.de · www.ottobock.de

Otto Bock Healthcare Products GmbH
Brehmstraße 16 · 1110 Wien · Austria
F +43 1 5267985
service-admin.vienna@ottobock.com · www.ottobock.at

Otto Bock Adria d.o.o. Sarajevo
Ramiza Salčina 85
71000 Sarajevo · Bosnia-Herzegovina
T +387 33 255-405 · F +387 33 255-401
obadria@bih.net.ba · www.ottobockadria.com.ba

Otto Bock Bulgaria Ltd.
41 Tzar Boris III Blvd. · 1612 Sofia · Bulgaria
T +359 2 80 57 980 · F +359 2 80 57 982
info@ottobock.bg · www.ottobock.bg

Otto Bock Suisse AG
Luzerner Kantonsspital 10 · 6000 Luzern 16 · Suisse
T +41 41 455 61 71 · F +41 41 455 61 70
suisse@ottobock.com · www.ottobock.ch

Otto Bock ČR s.r.o.
Protetická 460 · 33008 Zruč-Senec · Czech Republic
T +420 377825044 · F +420 377825036
email@ottobock.cz · www.ottobock.cz

Otto Bock Iberica S.A.
C/Majada, 1 · 28760 Tres Cantos (Madrid) · Spain
T +34 91 8063000 · F +34 91 8060415
info@ottobock.es · www.ottobock.es

Otto Bock France SNC
4 rue de la Réunion · CS 90011
91978 Courtaboeuf Cedex · France
T +33 1 69188830 · F +33 1 69071802
information@ottobock.fr · www.ottobock.fr

Otto Bock Healthcare plc
32, Parsonage Road · Englefield Green
Egham, Surrey TW20 0LD · United Kingdom
T +44 1784 744900 · F +44 1784 744901
bockuk@ottobock.com · www.ottobock.co.uk

Otto Bock Hungária Kft.
Tatai út 74. · 1135 Budapest · Hungary
T +36 1 4511020 · F +36 1 4511021
info@ottobock.hu · www.ottobock.hu

Otto Bock Adria d.o.o.
Dr. Franje Tuđmana 14 · 10431 Sveta Nedelja · Croatia
T +385 1 3361 544 · F +385 1 3365 986
ottobockadria@ottobock.hr · www.ottobock.hr

Otto Bock Italia Srl Us
Via Filippo Turati 5/7 · 40054 Budrio (BO) · Italy
T +39 051 692-4711 · F +39 051 692-4720
info.italia@ottobock.com · www.ottobock.it

Otto Bock Benelux B.V.
Mandenmaker 14 · 5253 RC
Nieuwkuijk · The Netherlands
T +31 73 5186488 · F +31 73 5114960
info.benelux@ottobock.com · www.ottobock.nl

Industria Ortopédica Otto Bock Unip. Ltda.
Av. Miguel Bombarda, 21 - 2º Esq.
1050-161 Lisboa · Portugal
T +351 21 3535587 · F +351 21 3535590
ottobockportugal@mail.telepac.pt

Otto Bock Polska Sp. z o. o.
Ulica Koralowa 3 · 61-029 Poznań · Poland
T +48 61 6538250 · F +48 61 6538031
ottobock@ottobock.pl · www.ottobock.pl

Otto Bock Romania srl
Șos de Centura Chitila - Mogoșoia Nr. 3
077405 Chitila, Jud. Ilfov · Romania
T +40 21 4363110 · F +40 21 4363023
info@ottobock.ro · www.ottobock.ro

OOO Otto Bock Service
p/o Pultikovo, Business Park „Greenwood”,
Building 7, 69 km MKAD
143441 Moscow Region/Krasnogorskiy Rayon
Russian Federation
T +7 495 564 8360 · F +7 495 564 8363
info@ottobock.ru · www.ottobock.ru

Otto Bock Scandinavia AB
Koppargatan 3 · Box 623 · 60114 Norrköping · Sweden
T +46 11 280600 · F +46 11 312005
info@ottobock.se · www.ottobock.se

Otto Bock Slovakia s.r.o.
Röntgenova 26 · 851 01 Bratislava 5 · Slovak Republic
T +421 2 32 78 20 70 · F +421 2 32 78 20 89
info@ottobock.sk · www.ottobock.sk

Otto Bock Sava d.o.o.
Industrijska bb · 34000 Kragujevac · Republika Srbija
T +381 34 351 671 · F +381 34 351 671
info@ottobock.rs · www.ottobock.rs

Otto Bock Ortopedi ve
Rehabilitasyon Tekniği Ltd. Şti.
Mecidiyeköy Mah. Lati Lokum Sok.
Meriç Sitesi B Blok No: 30/B
34387 Mecidiyeköy-Istanbul · Turkey
T +90 212 3565040 · F +90 212 3566688
info@ottobock.com.tr · www.ottobock.com.tr

Africa

Otto Bock Algérie E.U.R.L.
32, rue Ahcène Outaleb - Coopérative les Mimosas
Mackle-Ben Aknoun · Alger · DZ Algérie
T +213 21 913863 · F +213 21 913863
information@ottobock.fr · www.ottobock.fr

Otto Bock Egypt S.A.E.
28 Soliman Abaza St. Mohandessein · Giza · Egypt
T +20 2 37606818 · F +20 2 37605734
info@ottobock.com.eg · www.ottobock.com.eg

Otto Bock South Africa (Pty) Ltd
Building 3 Thornhill Office Park · 94 Bekker Road
Midrand · Johannesburg · South Africa
T +27 11 564 9360
info-southafrica@ottobock.co.za
www.ottobock.co.za

Americas

Otto Bock Argentina S.A.
Av. Belgrano 1477 · CP 1093
Ciudad Autónoma de Buenos Aires · Argentina
T +54 11 5032-8201 / 5032-8202
atencionclientes@ottobock.com.ar
www.ottobock.com.ar

Otto Bock do Brasil Tecnica Ortopédica Ltda.
Alameda Maria Tereza, 4036, Bairro Dois Córregos
CEP: 13.278-181, Valinhos-São Paulo · Brasil
T +55 19 3729 3500 · F +55 19 3269 6061
ottobock@ottobock.com.br · www.ottobock.com.br

Otto Bock HealthCare Canada
5470 Harvester Road
Burlington, Ontario, L7L 5N5, Canada
T +1 800 665 3327 · F +1 800 463 3659
CACustomerService@ottobock.com
www.ottobock.ca

Oficina Ottobock Habana
Calle 3ra entre 78 y 80.
Edificio Jerusalem · Oficina 112 · Calle 3ra.
Playa, La Habana. Cuba
T +53 720 430 69 · +53 720 430 81
hector.corcho@ottobock.com.br
www.ottobock.com.br

Otto Bock HealthCare Andina Ltda.
Calle 138 No 53-38 · Bogotá · Colombia
T +57 1 8619988 · F +57 1 8619977
info@ottobock.com.co · www.ottobock.com.co

Otto Bock de Mexico S.A. de C.V.
Prolongación Calle 18 No. 178-A
Col. San Pedro de los Pinos
C.P. 01180 México, D.F. · Mexico
T +52 55 5575 0290 · F +52 55 5575 0234
info@ottobock.com.mx · www.ottobock.com.mx

Otto Bock HealthCare LP
11501 Alterra Parkway Suite 600
Austin, TX 78758 · USA
T +1 800 328 4058 · F +1 800 962 2549
USCustomerService@ottobock.com
www.ottobockus.com

Asia/Pacific

Otto Bock Australia Pty. Ltd.
Suite 1.01, Century Corporate Centre
62 Norwest Boulevard
Baulkham Hills NSW 2153 · Australia
T +61 2 8818 2800 · F +61 2 8814 4500
healthcare@ottobock.com.au · www.ottobock.com.au

Beijing Otto Bock Orthopaedic Industries Co., Ltd.
B12E, Universal Business Park
10 Jiuxianqiao Road, Chao Yang District
Beijing, 100015, P.R. China
T +8610 8598 6880 · F +8610 8598 0040
news-service@ottobock.com.cn
www.ottobock.com.cn

Otto Bock Asia Pacific Ltd.
Unit 1004, 10/F, Greenfield Tower, Concordia Plaza
1 Science Museum Road, Tsim Sha Tsui
Kowloon, Hong Kong · China
T +852 2598 9772 · F +852 2598 7886
info@ottobock.com.hk · www.ottobock.com

Otto Bock HealthCare India Pvt. Ltd.
20th Floor, Express Towers
Nariman Point, Mumbai 400 021 · India
T +91 22 2274 5500 / 5501 / 5502
information@indiaottobock.com · www.ottobock.in

Otto Bock Japan K. K.
Yokogawa Building 8F, 4-4-44 Shibaura
Minato-ku, Tokyo, 108-0023 · Japan
T +81 3 3798-2111 · F +81 3 3798-2112
ottobock@ottobock.co.jp · www.ottobock.co.jp

Otto Bock Korea HealthCare Inc.
4F Agaworld Building · 1357-74, Seocho-dong
Seocho-ku, 137-070 Seoul · Korea
T +82 2 577-3831 · F +82 2 577-3828
info@ottobockkorea.com · www.ottobockkorea.com

Otto Bock South East Asia Co., Ltd.
1741 Phaholyothin Road
Kwaeng Chatuchark · Khet Chatuchark
Bangkok 10900 · Thailand
T +66 2 930 3030 · F +66 2 930 3311
obsea@ottobock.co.th · www.ottobock.co.th

Other countries

Ottobock SE & Co. KGaA
Max-Näder-Straße 15 · 37115 Duderstadt · Germany
T +49 5527 848-1590 · F +49 5527 848-1676
reha-export@ottobock.de · www.ottobock.com

Ihr Fachhändler | Your specialist dealer



Otto Bock Mobility Solutions GmbH
Lindenstraße 13 · 07426 Königsee/Germany
www.ottobock.com

