



Zenit

EN Instructions for use (qualified personnel) 3

Table of contents

EN

1	Foreword	5
2	Intended use	5
2.1	Indications for use	5
2.2	Indications, contraindications	5
2.3	Qualification	5
3	Safety	5
3.1	Explanation of warning symbols	5
3.2	General safety instructions	6
3.3	Safety Instructions for Assembly	6
3.4	Further information	6
3.5	Nameplate	6
4	Delivery	7
4.1	Scope of delivery	7
4.2	Options	7
4.3	Storage	7
5	Preparing the product for use	7
5.1	Assembly	7
6	Settings	9
6.1	Prerequisites	9
6.2	Adjusting the drive wheels	9
6.2.1	Setting the drive wheels horizontally	10
6.2.2	Adjusting the seat height and seat inclination	12
6.2.3	Adjusting the drive wheel camber	13
6.2.4	Adjusting the track width (additional adjustment)	14
6.2.5	Adjusting the quick-release axle	14
6.2.6	Adjusting the handrims	15
6.3	Adjusting the caster wheels	15
6.3.1	Adjusting the caster journal angle	15
6.3.2	Changing the installation position of the caster wheels	17
6.4	Adjusting the wheel locks	18
6.4.1	Adjusting the knee lever wheel locks	18
6.4.2	Adjusting the scissor wheel locks	18
6.5	Adjusting the back support	19
6.5.1	Adjusting the back support height	19
6.5.2	Adjusting the back support angle	19
6.6	Adjusting the back support upholstery / seat upholstery	20
6.6.1	Adapting the adjustable back support upholstery	20
6.6.2	Adjusting the "ultralight" back support upholstery	20
6.6.3	Adjusting the seat upholstery	20
6.7	Adjusting the leg supports	21
6.7.1	Adjusting the lower leg length	21
6.7.2	Adjusting the support angle	22
6.8	Adjusting the side panels	22
6.9	Adjusting the anti-tipper	23
6.10	Adjusting the tip-assist	23
6.11	Adjusting the lap belt	24
7	Delivery	24
7.1	Final inspection	24
7.2	Transport to the customer	24
7.3	Handing over the product	25
8	Maintenance and repair	25
9	Disposal	25
9.1	Disposal information	25
9.2	Information on re-use	25

10	Legal information	25
10.1	Liability	25
10.2	Warranty	25
10.3	Service life	26
11	Technical data	26
12	Appendices	31
12.1	Required tools	31
12.2	Torque values of the screw connections.....	31

1 Foreword

INFORMATION

Date of last update: 2020-03-19

- ▶ Please read this document carefully before using the product and observe the safety notices.
- ▶ Instruct the user in the safe use of the product.
- ▶ Please contact the manufacturer if you have questions about the product or in case of problems.
- ▶ Report each serious incident in connection with the product, in particular a worsening of the state of health, to the manufacturer and to the relevant authority in your country.
- ▶ Please keep this document for your records.

INFORMATION

- ▶ New information regarding product safety and product recalls as well as the declaration of conformity can be obtained at oa@ottobock.com or from the manufacturer's service department (see inside or outside of rear cover for addresses).
- ▶ You can request this document as a PDF file at oa@ottobock.com or from the manufacturer's service department (see inside or outside of rear cover for addresses). The PDF file can also be displayed in a larger size.

Initial adjustments to the product were made according to the order form. Nevertheless, fine adjustments and settings may have to be made depending on the medical situation or the user's requirements.

These instructions for use provide the information necessary for adjusting the settings. This work should be closely coordinated with the user.

Please note the following:

- The instructions for use (qualified personnel) are intended only for qualified personnel and remain with them.
- The manufacturer recommends checking the product settings regularly in order to assure an optimum fit over the long term. A review is required every six months for children and youths in particular.
- The manufacturer reserves the right to make technical changes to the model described in these instructions for use.

2 Intended use

The operational safety of the product can only be ensured in case of intended use in accordance with the information contained in these instructions for use (qualified personnel) and in the instructions for use (user). The user is ultimately responsible for accident-free operation.

2.1 Indications for use

For additional information about the indications for use, see the instructions for use (user).

2.2 Indications, contraindications


See the instructions for use (user) for more information about indications and contraindications.


2.3 Qualification


The tasks described below may only be carried out by qualified personnel. Compliance with all manufacturer specifications and all applicable legal provisions is required. Please contact the manufacturer's service department for further information (see inside or outside of rear cover for addresses).

3 Safety

3.1 Explanation of warning symbols

 **WARNING** Warning regarding possible serious risks of accident or injury.

 **CAUTION** Warning regarding possible risks of accident or injury.

 **NOTICE** Warning regarding possible technical damage.

3.2 General safety instructions

CAUTION

Use of unsuitable tools
 Pinching, crushing or damaging the product due to use of unsuitable tools

- ▶ When completing the tasks, only use tools that are suitable for the conditions at the place of work and for which safety and the protection of health are assured with proper use.
- ▶ Observe the specifications in the section "Required Tools".

NOTICE

Tipping or falling of the product
 Damage to product due to lack of attachment

- ▶ When you work on the product, secure it so that it cannot tip over or fall over.
- ▶ Use a clamping fixture to secure the product whenever you work on it at a workbench.

3.3 Safety Instructions for Assembly

WARNING

Changed diameter/installation position of the wheels
 Tipping, falling over of the user due to blocked wheels

- ▶ Modification of the size and position of the front wheels and of the drive wheel size can lead to wobbling of the front wheels at higher speeds. If changes are required, verify the horizontal alignment of the wheelchair frame (see the section "Adjusting the drive wheels", "Adjusting the caster wheels").

WARNING

Improper assembly of removable wheels
 Tipping, falling over of the user due to wheels coming off

- ▶ After each assembly, verify the proper fit of the removable wheels. The quick-release axles must be firmly locked in the wheel attachment.

3.4 Further information

INFORMATION

The serial number required for enquiries and orders can be found on the nameplate. For explanations of the nameplate, see the section "Nameplate" (see Page 6).

3.5 Nameplate

The nameplates are found on the frame.

Label	Meaning
	A Manufacturer's product name
	B CE marking
	C Maximum load (see section "Technical data")
	D Manufacturer information/address
	E Serial number ¹⁾
	F Manufacturing date ²⁾
	G Symbol for medical device
	H WARNING! Read the instructions for use before using the product. Observe important safety-related information (e.g. warnings, precautions).
	I Manufacturer's reference number for the product variant
	J Serial number (PI) ^{3),1)}
	K Global Trade Item Number (DI) ⁴⁾

¹⁾ YYYY = year of manufacture; WW = week of manufacture; PP = production site; XXXX = sequential production number

2) YYYY = year of manufacture; MM = month of manufacture; DD = day of manufacture

3) UDI-PI to GS1 standard; UDI = Unique Device Identifier, PI = Product Identifier

4) UDI-DI to GS1 standard; UDI = Unique Device Identifier, DI = Device Identifier

4 Delivery

4.1 Scope of delivery

The scope of delivery includes:

- Preassembled wheelchair
- Two drive wheels (installed or included)
- Options according to the order
- Instructions for use (qualified personnel), instructions for use (user)
- Instructions for use for accessories (depending on equipment)

The seat cushion is not included in the standard package.

4.2 Options

The functionality and operation of the options are described in more detail in the instructions for use (user).

All of the available options/accessories are listed on the order form.

4.3 Storage

Store the wheelchair in a dry, enclosed room, protected from external influences. Specific information about storage conditions: see Page 26.

During extended storage, the knee lever wheel lock on wheelchairs with PU tyres must be released since tyre deformation may otherwise result.

Maintain sufficient clearance from sources of heat. If the product is parked for an extended period of time or the tyres overheat (e.g. in the vicinity of radiators or in case of exposure to strong sunlight behind glass), the tyres may become permanently deformed.

5 Preparing the product for use

5.1 Assembly

⚠ CAUTION

Exposed pinch points

Crushing, pinching due to incorrect handling

- ▶ When folding the wheelchair out or together, only grip by the specified components.

⚠ CAUTION

Failure to verify readiness for use before putting into operation

Tipping, falling due to incorrect adjustment or installation

- ▶ Check the existing settings prior to first use.
- ▶ After every assembly, check for proper mounting of the drive wheels. The quick-release axles must be securely locked in the receiver bushings.
- ▶ Pay particular attention to the stability against tipping, free running of the drive wheels and correct function of the wheel locks.
- ▶ Check the tyre pressure. The correct tyre pressure is printed on the sidewall. Ensure that the pressure is the same in both tyres.

INFORMATION

The assembly described below may also be carried out the same way on the CLT model (not illustrated). The "Folding back support" option is not offered for the Zenit CLT.

It only takes a few simple steps to prepare the wheelchair (see fig. 1) for use:

Zenit; Zenit CLT – folding version

- 1) **Only if necessary:** Attach the drive wheels to the quick-release axle mounting (see fig. 2). The quick-release axles must not be removable after releasing the push-button.

- 2) Unfold the wheelchair by pulling the drive wheel to the side (see fig. 3). Ensure that the folding mechanism is fully unfolded. Hearing the folding mechanism engage audibly indicates that the unfolding process is complete.
- 3) **Only with “Folding back support” option:** Pull the release strap for the folding mechanism of the back support in the direction of travel of the wheelchair and fold the back support up (see fig. 4). Ensure that the back support latches in the top position (see fig. 5).
Only with “Leg support with unlocking” option: Firmly press down the foot plate until the locking mechanism engages.
- 4) If necessary, fold the push handles up (see fig. 6).
- 5) Fit the seat cushion. The seat cushion is secured against sliding by being pressed onto the hook-and-loop closure.



Zenit R; Zenit R CLT – rigid frame version

- 1) **Only if necessary:** Attach the drive wheels to the quick-release axle mounting (see illustration above). The quick-release axles must not be removable after releasing the push-button.

- 2) **Only with “Folding back support” option:** Pull the release strap for the folding mechanism of the back support in the direction of travel of the wheelchair and fold the back support up (see illustration above). In doing so, ensure that the back support latches in the top position (see illustration above).
- 3) Fold the push handles up if necessary (see illustration above).
- 4) Fit the seat cushion. The seat cushion is secured against sliding by being pressed onto the hook-and-loop closure.

6 Settings

6.1 Prerequisites

WARNING

Making incorrect adjustments

Tipping over, falling or malposition of the user due to incorrect adjustments

- ▶ Adjustment and assembly work may be carried out only by qualified personnel.
- ▶ Only the adjustments described in these instructions for use may be carried out.
- ▶ Settings may only be changed within the allowable adjustment ranges; otherwise, the stability of the product may be impaired (see this section and the “Technical data” section). If you have questions, contact the manufacturer’s service department (see inside back cover for addresses).
- ▶ Only conduct tests in the presence of an assistant.
- ▶ Unless expressly described, you may not change any settings with a person sitting in the product.
- ▶ Secure the user against falling out during all tests.
- ▶ Before testing setting changes with the user seated, firmly tighten all screw connections.
- ▶ Check for safe function before delivering the product.

CAUTION

Unsecured screw connections

Pinching, crushing, tipping over, falling of user due to assembly errors

- ▶ Always firmly re-tighten the mounting screws and nuts after changing settings. Observe the specified torques in doing so.
- ▶ Any time you loosen a screw connection with thread lock, replace it with a new screw connection with thread lock or secure the old screw connection with medium strength thread locker (e.g. Loctite 241).
- ▶ Always replace self-locking screws and nuts with new self-locking screws and nuts after disassembly.

Fine-tuning and adjustments should always be carried out in the presence of the user. The user should be sitting upright in the wheelchair while making adjustments.

All parts of the product should be cleaned thoroughly before adjustments are made.

The tools required for configuration and maintenance are summarised in the section "Appendices" (see Page 31 ff.).

6.2 Adjusting the drive wheels

WARNING

Lack of fine adjustment of the drive wheels

Tipping over, falling of the user due to incorrect adjustment

- ▶ Check the standard adjustments of the wheelchair for stability against tipping and function of the drive wheels. Avoid any extreme settings.

WARNING

Incorrectly adjusted wheelbase

Tipping over, falling of the user due to unstable settings

- ▶ Please note that with the drive wheel in a more forward mounting position and with an unfavourable body position, the user may tip backwards even on level ground.
- ▶ Use an anti-tipper for inexperienced users and with extreme settings of the drive wheel.
- ▶ Be sure to position the drive wheels towards the rear for transfemoral amputees. This improves the stability of the wheelchair.

INFORMATION
 Changing the drive wheel position can also change the angle between the caster wheel journal and the ground. However, this must always be **approx. 90°** and thus readjusted accordingly. The knee lever wheel lock also has to be readjusted.

6.2.1 Setting the drive wheels horizontally

INFORMATION
 Adjusting the horizontal rear wheel position on the **CLT model** may require new bore holes in the side panel (clothing guard). Note the corresponding information at the end of the following instructions.

The horizontal position of the drive wheels can be adjusted by moving the quick-release axle mounting in the drive wheel attachment device. Changing the drive wheel position has the following effects:

Position of drive wheel	Effects
Move backwards (passive setting)	<ul style="list-style-type: none"> • Larger wheelbase • Larger turning circle • Greater stability of the wheelchair • Wheelchair is harder to tip backwards when crossing obstacles • Position recommended for inexperienced users
Move forwards (active setting)	<ul style="list-style-type: none"> • Smaller wheelbase • Less load on caster wheels = greater manoeuvrability • Less stability of the wheelchair • Wheelchair is easier to tip backwards when crossing obstacles • INFORMATION: An anti-tipper should be installed if necessary. • Setting recommended only for experienced users

The drive wheels can be adjusted horizontally to three positions within the drive wheel attachment device:

- Standard setting (see fig. 7, item 1)
- Active setting (+12 mm, see fig. 7, item 2)
- Passive setting (-12 mm, see fig. 7, item 3).

The frame detail on the left side of the wheelchair is shown. In the standard setting, a groove is visible on the top of the drive wheel attachment device, identifying the usable bore hole (see fig. 7, item 1, arrow). When the drive wheel attachment device is rotated by **180°**, two grooves are visible on the top, identifying the bore holes for the active and passive settings (see fig. 7, items 2 and 3, arrows).

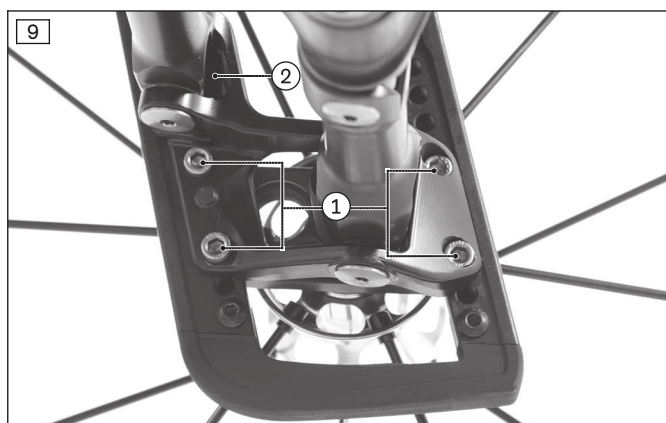
For determining the tipping point see fig. 50.

Zenit, Zenit CLT folding wheelchair

> **Prerequisite:** Remove the drive wheels.

- 1) To switch from the standard setting to the passive or active setting (or the other way around):
 - Loosen and remove the four or five Allen head screws (depending on the vertical position of the drive wheel attachment device) respectively on the connection between the side support and folding mechanism from the inside (four screws: see fig. 9, item 1; fifth screw concealed: see fig. 9, item 2).
 - Rotate the drive wheel attachment device by **180°** in the side support.
 - Insert the four or five Allen head screws respectively on the connection between the side support and folding mechanism from the inside and tighten to **8 Nm** (see fig. 9, item 1/2).
- 2) Loosen the nut on the quick-release axle mounting (see fig. 8) and unscrew the quick-release axle mounting from the drive wheel attachment device.
- 3) Screw in the quick-release axle mounting to the desired position. In doing so, set the desired track width (see Page 14). If there is drive wheel camber (2° or greater), align the quick-release axle mounting (see Page 13).
- 4) Thread the nut onto the quick-release axle mounting and tighten it to **40 Nm** (see fig. 8).
 - Once changed, the left and right quick-release axle mountings must both have the same position.
- 5) Adjust the side panels (see Page 22).

Only for CLT version: Adjusting the horizontal drive wheel position may require new bore holes in the side panel (clothing guard). In the process, the clothing guard must be repositioned according to the drive wheel adjustment direction, and bore holes of the same size as the original bore hole must be drilled. The distance between the drive wheel and clothing guard must be set to the original factory value. The thread lock must be replaced (with “medium strength” thread locking compound).

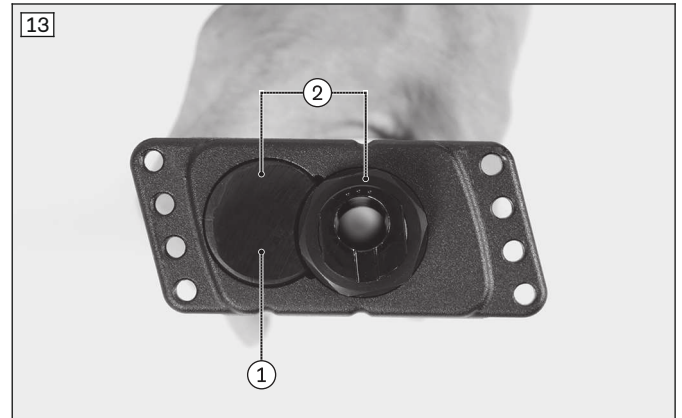
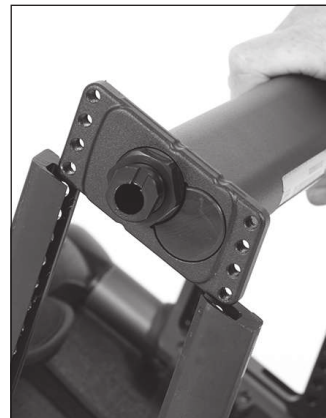
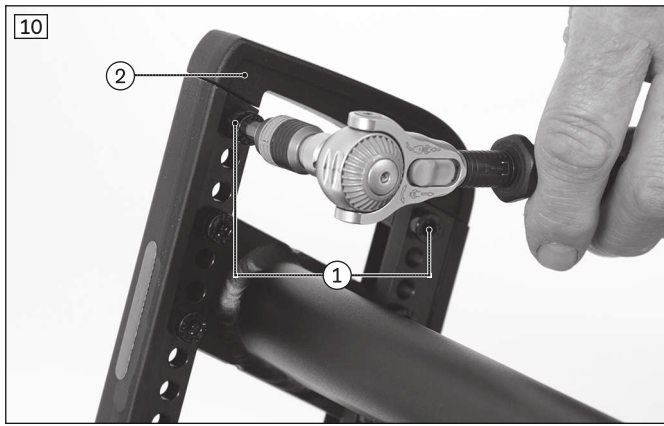


Zenit R, Zenit R CLT rigid frame wheelchair

> **Prerequisite:** Remove the drive wheels.

- 1) To switch from the standard setting to the passive or active setting (or the other way around), rotate the rigid axle:
 - Loosen the two Allen head screws respectively on the end piece and remove the end pieces from the side supports (see fig. 10, item 1/2).
 - Loosen and remove the four Allen head screws respectively on both sides of the rigid axle (see fig. 11).
 - Remove the rigid axle and rotate it by **180°** in the retainer (see fig. 12).
 - Hold the rigid axle at an angle and reinsert it into the side support.
 - Tighten the four Allen head screws respectively on the rigid axle to **8 Nm** (see fig. 11).
 - Install the end pieces (see fig. 10, item 2). To do so, tighten the Allen head screws to **8 Nm** (see fig. 10, item 1).
- 2) Loosen the nut on the quick-release axle mounting (see fig. 8) and unscrew the quick-release axle mounting from the drive wheel attachment device.
- 3) Remove the cover if necessary (see fig. 13, item 1). Screw in the quick-release axle mounting in the desired position (see fig. 13, item 2). In doing so, set the desired track width (see Page 14).
- 4) If there is drive wheel camber (2° or greater), align the quick-release axle mounting (see Page 13).
- 5) Thread the nut onto the quick-release axle mounting and tighten it to **40 Nm** (see fig. 8).
 - Once changed, the left and right quick-release axle mountings must both have the same position.
- 6) Adjust the side panels (see Page 22).

Only for CLT version: Adjusting the horizontal drive wheel position may require new bore holes in the side panel (clothing guard). In the process, the clothing guard must be repositioned according to the drive wheel adjustment direction, and bore holes of the same size as the original bore hole must be drilled. The distance between the drive wheel and clothing guard must be set to the original factory value. The thread lock must be replaced (with "medium strength" thread locking compound).



6.2.2 Adjusting the seat height and seat inclination

INFORMATION
 The **Zenit CLT version** is delivered preconfigured with permanently welded side supports for attaching the drive wheel attachment devices, a permanently welded back support and permanently welded caster attachment devices. Subsequently changing the seat height and seat inclination with effects on the centre of gravity is not possible. Therefore, the adjustments described below must **not** be carried out on the CLT model.

The seat height and the seat inclination are adjusted by moving the drive wheel attachment device vertically in conjunction with the quick-release axle mounting. This has the following effects:

Position of drive wheel	Effects
Move upwards	<ul style="list-style-type: none"> • The higher the drive wheel position, the more the seat surface is tilted to the rear • Wheelchair is easier to tip backwards when crossing obstacles • The change in the centre of gravity results in a lower, more stable seat position in the wheelchair • The seat height can be further adjusted in combination with a height adjustment of the caster wheels.
Move downwards	<ul style="list-style-type: none"> • The lower the drive wheel position, the less the seat surface is tilted to the rear • Wheelchair is harder to tip backwards when crossing obstacles • The seat height can be further adjusted in combination with a height adjustment of the caster wheels.

The drive wheel height is individually pre-adjusted for the user at the factory. The drive wheel height can be corrected by repositioning the drive wheel attachment device in the side support.

> Prerequisites:

Remove the drive wheels.

Determine the current position of the drive wheel attachment device with the help of the illustrations for height positioning (see fig. 51 and the following, item 1 through item 14).

- 1) On both sides, loosen and remove the four or five Allen head screws respectively on the connection between the side support and folding mechanism from the inside (see fig. 14, see fig. 9).
- 2) Move the drive wheel attachment device to the new position (see fig. 15). Observe the corresponding illustrations for height positioning in doing so (see fig. 51 and the following, item 1 through item 14).
- 3) On both sides, insert the four or five Allen head screws respectively on the connection between the folding mechanism and side support from the inside and tighten them to **8 Nm** (see fig. 14; see fig. 9).

INFORMATION

When the rear seat height is changed, the seat angle and caster head angle change as well. The caster head angle setting has to be checked after each change to the chassis and corrected as needed (see Page 15).

**6.2.3 Adjusting the drive wheel camber**

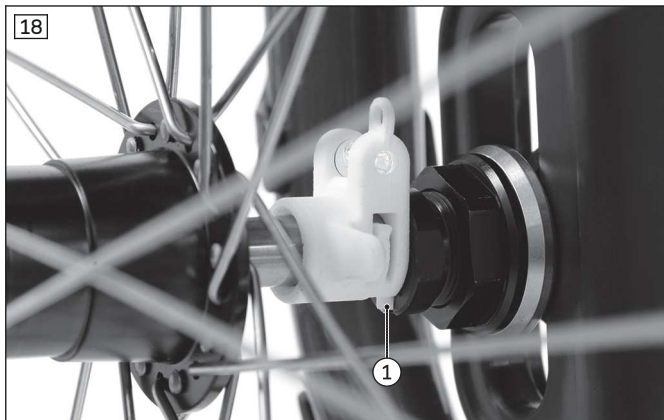
The modular system of the product offers quick-release axle mountings with angled bores for different sloped settings of the drive wheels.

The drive wheel camber is adjusted by exchanging the quick-release axle mounting. This has the following effects:

Position of drive wheel	Effects
0° position	<ul style="list-style-type: none"> • Narrow track, excellent straight-line stability • Low rolling resistance
Wheel camber	<ul style="list-style-type: none"> • Wheelchair becomes more manoeuvrable, turns faster and tips less easily to the side • The wheel position protects the hands when turning the handrim • Overall width increases • Increased rolling resistance

The drive wheel camber can be set to **0°, 2°, 3°** and **4°**.

- 1) Remove the mounting nut of the quick-release axle mounting (see fig. 8).
- 2) Unscrew the quick-release axle mounting from the drive wheel attachment device.
- 3) Screw the quick-release axle mounting into the drive wheel attachment device at the corresponding bore hole angle for the desired camber. The groove has to face down (see fig. 16).
- 4) Screw on the mounting nut slightly but do not tighten it firmly.
- 5) Slide the supplied assembly aid (spirit level) onto the quick-release axle with the drive wheel and insert the quick-release axle into the quick-release axle mounting (see fig. 17).
- 6) The assembly aid must engage in the groove of the quick-release axle mounting (see fig. 18, item 1).
- 7) Align the quick-release axle mounting so the spirit level is in the centre position. Tighten the mounting nut to **40 Nm** (see fig. 19).
- 8) Remove the drive wheel and take off the assembly aid.
- 9) Reinstall the drive wheel.
 - After adjustment, the camber of the left and right drive wheels must have the same sloped setting.
- 10) Adjust the side panels (see Page 22).



6.2.4 Adjusting the track width (additional adjustment)

INFORMATION

The adjustments described below may also be carried out the same way on the CLT model (not illustrated).

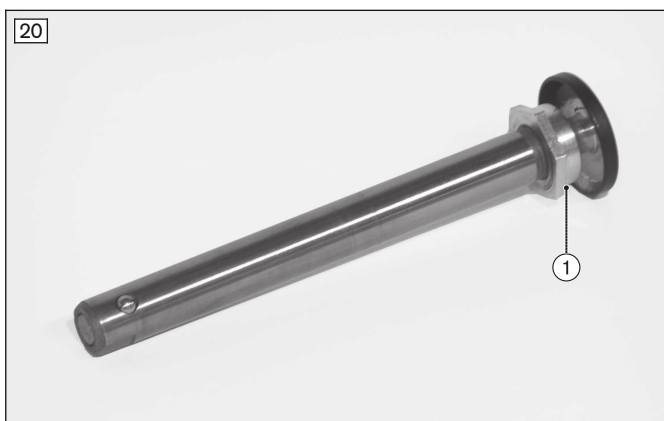
After loosening the mounting nut (see fig. 8), the position of the quick-release axle mounting can be adjusted in or out by turning it. This allows the distance between the drive wheel and the side panel to be continuously adjusted.

Please note: Only unscrew the quick-release axle mounting so that it is still flush with the side support on the inside.

6.2.5 Adjusting the quick-release axle

The quick-release axle should be set so the wheel is correctly engaged, with no play on the axle.

- 1) Hold the quick-release axle by the head (wrench size: **19 mm**) and by the tip (wrench size: **11 mm**) with a ring and open-ended wrench respectively.
- 2) Adjust the play by turning the nut on the end of the quick-release axle (see fig. 20, item 1) in or out.



6.2.6 Adjusting the handrims

INFORMATION

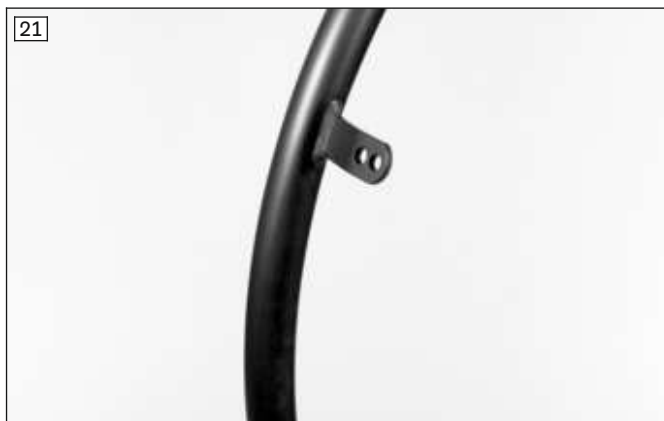
The adjustments described below may also be carried out the same way on the CLT model (not illustrated).

INFORMATION

This section does not apply to standard wheels.

All handrims are designed for a spacing from the drive wheel of **15 mm** (standard setting) and **25 mm**.

- 1) Loosen/remove the handrim screw connection from the rim (see fig. 22).
- 2) Tightly screw the handrims onto the rim in narrow or wide installation position.



6.3 Adjusting the caster wheels

6.3.1 Adjusting the caster journal angle

INFORMATION

The adjustments described below may **not be carried out on the CLT or CLT Ultra model**.

When the drive wheels have been adjusted for the user, the caster journal angle must be adjusted at the caster wheel adapter.

The bolt of the caster fork in the caster wheel mounting (see fig. 23, item 1) must be perpendicular to the ground to ensure optimum wheelchair driving characteristics. The caster wheel adapter permits adjustment of this angle in 1.5° increments.

By moving the tenon jointing wheel on the caster wheel adapter, the caster wheel journal angle can be corrected in **1.5°** increments starting from the zero position (see fig. 24) (scale value 1 corresponds to **1.5°**, scale value 2 corresponds to **3°** etc.; see fig. 25):

- Long marking line (see fig. 25): settings in the range of 0 to ±10.5°
- Short marking lines (see fig. 26): settings in the extended range from ±12°

INFORMATION

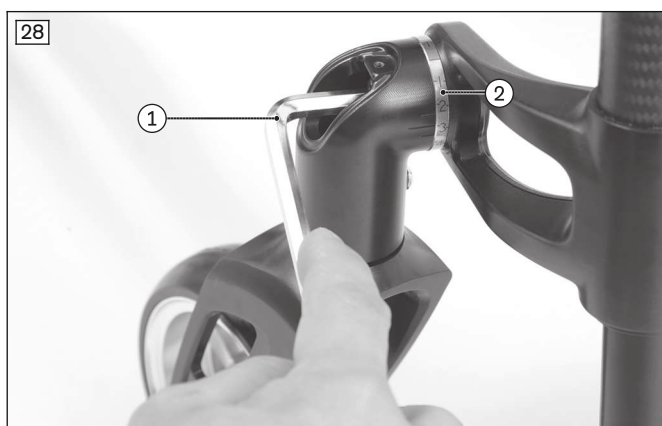
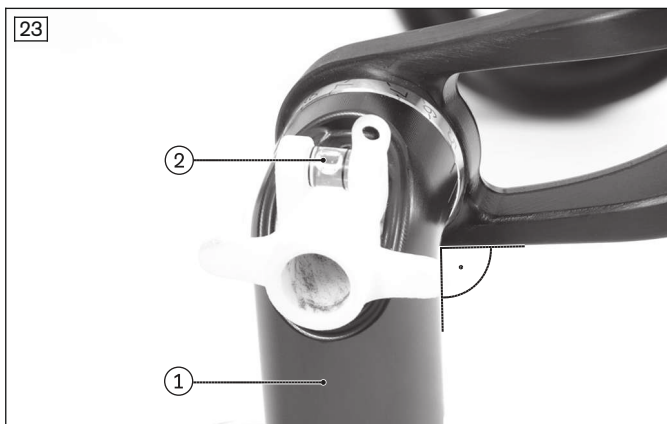
The markings that are visible when looking at the wheelchair or caster wheel adapter from the front are relevant. The setting in the range up to ±10.5° (long marking line) is shown in the following.

- 1) Loosen the Allen head screw on the caster wheel adapter (see fig. 27, item 1) and remove the cover.
- 2) Loosen the mounting screw for the caster wheel journal angle (see fig. 28, item 1) until the tenon jointing wheel (see fig. 28, item 2) is released from the retainer on one side and moves freely on one side (see fig. 29).

CAUTION! A thread locking compound (Tuflok blue) on the mounting screw prevents unintentional/independent loosening. Note that the mounting screw has to be replaced or secured with Loctite (medium strength) after the second time it is loosened.

- 3) Set the expected correct angle (the long marking line on the retainer is applicable) and press the tenon jointing wheel on one side back into the retainer.
- 4) Release the other side of the tenon jointing wheel from the retainer and turn the caster wheel adapter until the long marking line also indicates the same scale position on the tenon jointing wheel (see fig. 30).

- 5) Slightly tighten the mounting screw for the caster wheel journal angle (see fig. 28) and, by applying the supplied assembly aid, check whether the angle in the direction of travel is close to **90°** (see fig. 23, item 1/2). If this is not the case, correct it again (see starting at step 2).
- 6) Tighten the mounting screw for the caster wheel journal angle to **30 Nm**.
- 7) Put on the cover and tighten the Allen head screw (see fig. 27).
- 8) For the caster head on the opposite side, set the tenon jointing wheel to the same scale value.





6.3.2 Changing the installation position of the caster wheels

INFORMATION

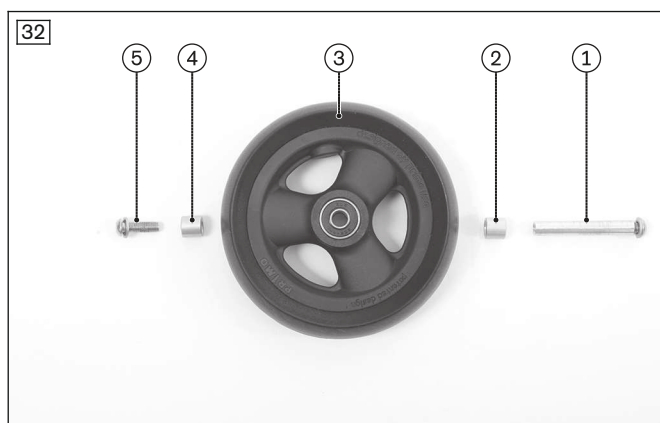
The adjustments described below may **not be carried out on the CLT or CLT Ultra model**.

INFORMATION

Please refer to the seat height table in the technical data.

The front seat height is adjusted using the row of holes in the fork and the diameter of the caster wheels.

- 1) Loosen the screw connection on the threaded sleeve (see fig. 31).
 - 2) Remove the threaded sleeve and spacer bushings.
INFORMATION: Note that the illustrated and described spacer bushings are not present with all offered caster wheels.
 - 3) Remove the caster wheel.
 - 4) Insert the threaded sleeve (see fig. 32, item 1) into the desired hole in the fork and slide on the first spacer bushing (see fig. 32, item 2) from the inside.
 - 5) Install the caster wheel (see fig. 32, item 3).
 - 6) Push on the second spacer bushing (see fig. 32, item 4).
 - 7) Insert the mounting screw (see fig. 32, item 5) and tighten the threaded sleeve to **8 Nm**.
- Once changed, the left and right caster wheels must have the same vertical position in the caster fork.
- After changing the front seat height, always check the caster wheel journal angle and adjust it if necessary (see Page 15).



6.4 Adjusting the wheel locks

⚠ WARNING

Failure to verify brake functionality

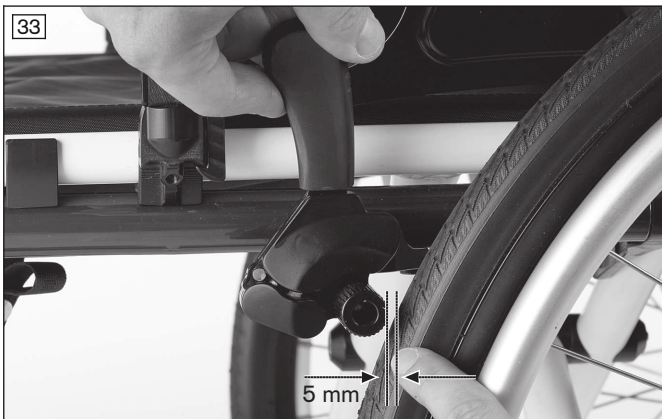
Accident, user falls due to incorrect adjustment and improperly inflated tyres

- ▶ Check the correct spacing between the wheel lock bolt and tyre (see the following section for details).
- ▶ Check the correct position of the wheel lock bolt relative to the tyre. During braking, the wheel lock bolt has to cover at least half the tyre width.
- ▶ Always carry out adjustments to the wheel lock on both sides.
- ▶ Ensure that the user can operate the wheel lock without great effort. The force required to do so must not exceed 60 N.
- ▶ Check the tyre pressure of the drive wheels. Note the information in the section “Technical data” or on the tyre sidewall.
- ▶ Only use original drive wheels with a verified maximum radial out-of-round of **1 mm**.

6.4.1 Adjusting the knee lever wheel locks

This adjustment must be made after the drive wheel has been repositioned or during readjustment.

- 1) Loosen the Allen head screws in the clamp brackets (as with scissor wheel locks, see fig. 34).
- 2) Adjust the knee lever wheel lock by sliding it. When the wheel lock is disengaged, the gap between the tyre and wheel lock bolt must not exceed **5 mm** (see fig. 33).
 - The distance between the wheel lock bolt and the drive wheel must be **1–5 mm** in the unbraked condition.
 - It must be possible to operate the brake evenly and easily on both sides.
 - The wheel lock bolt must lock the drive wheel securely when stationary.
- 3) Tighten the Allen head screws on the clamp brackets evenly to **12 Nm**.
 - After adjustment, the left and right knee lever wheel locks must both have the same braking force.



6.4.2 Adjusting the scissor wheel locks

- 1) Loosen the Allen head screws in the clamp brackets (see fig. 34).
- 2) Adjust the wheel lock by sliding it. When the wheel lock is disengaged, the gap between the tyre and wheel lock bolt must not exceed **5 mm** (not illustrated).
- 3) Adjust the scissor wheel lock so that the full braking force is reached and the swivelling parts can also move freely without colliding.
 - The scissor wheel lock must not hit the frame when it is open.
 - It must be possible to operate the brake evenly and easily on both sides.
 - The wheel lock bolt must lock the drive wheel securely when stationary.
- 4) In two passes, tighten the Allen head screws on the clamp brackets evenly to **12 Nm** (see fig. 34).
 - After adjustment, the left and right scissor wheel locks must both have the same braking force.



6.5 Adjusting the back support

INFORMATION

The adjustments described below may **not be carried out on the CLT or CLT Ultra model**.

6.5.1 Adjusting the back support height

The back height cannot be adjusted with this wheelchair type.

6.5.2 Adjusting the back support angle

INFORMATION

The adjustments described below may **not be carried out on the CLT or CLT Ultra model**.

⚠ WARNING

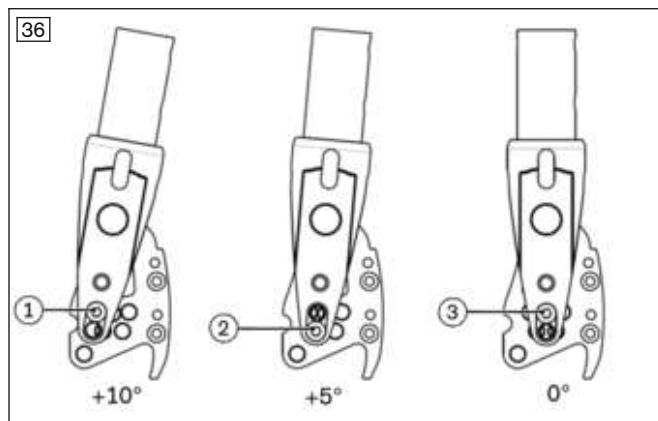
Missing anti-tipper

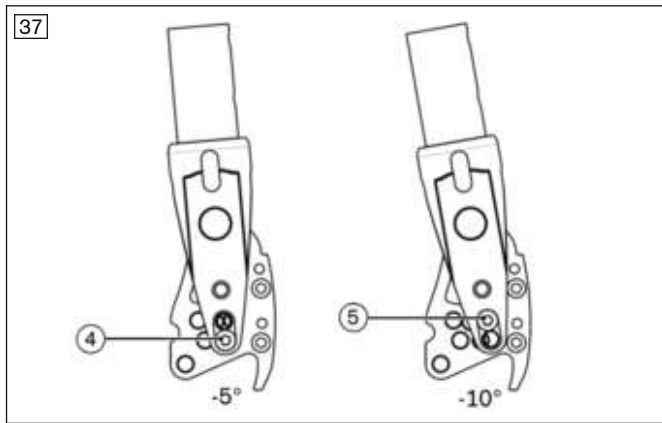
Tipping over, falling of the user due to missing safety devices

- ▶ If the back is tilted far to the rear and in the case of a short wheelbase, 2 anti-tippers (one on each side) must be mounted and in a functional position; in the case of a long wheelbase, at least one anti-tipper must be mounted and in a functional position.
- ▶ Check that the anti-tipper is securely attached.

When using a folding backrest, the backrest angle can be adjusted from **-10° to +10°** in 5° increments to meet the needs of the user.

- 1) Loosen and remove the mounting screws (Allen head screw) on both sides (see fig. 35, item 1).
- 2) Insert the mounting screws on both sides into the same bore combination for the desired back angle (see fig. 36, item 1, 2 or 3 or see fig. 37, item 4 or 5).
- 3) Re-tighten the mounting screws.





6.6 Adjusting the back support upholstery / seat upholstery

INFORMATION

The adjustments described below may also be carried out the same way on the CLT model (not illustrated).

6.6.1 Adapting the adjustable back support upholstery

INFORMATION

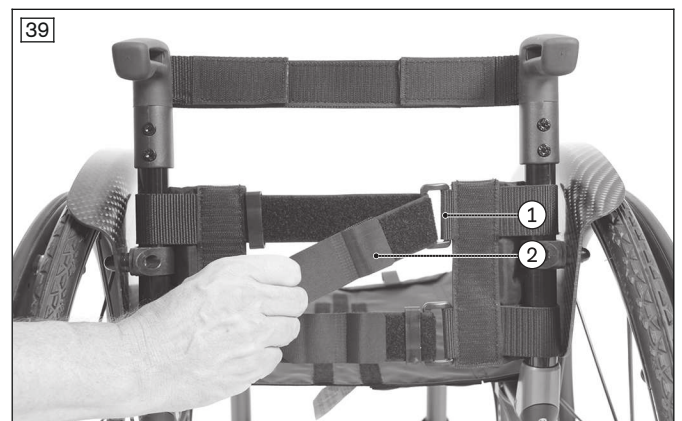
A well-adjusted back support provides lasting comfort for the wheelchair user and reduces the risk of secondary damage and pressure zones.

INFORMATION

Ensure that the user's pelvis is positioned as far back in the wheelchair as possible, i.e. between the back support tubes.

The back support upholstery can be adapted in segments to the needs of the user.

- 1) Remove the back support pad.
- 2) Loosen the hook-and-loop fastener of the upholstery straps (see fig. 38, item 1).
- 3) Fasten the upholstery straps with the desired tension using the hook-and-loop fastener.
If necessary, unthread/thread the upholstery straps from/through the flaps to do so (see fig. 39, item 1).
- 4) If the upholstery straps are too long, they can be shortened. To do so, remove the end pieces from the upholstery straps (see fig. 39, item 2), trim the upholstery straps and reinstall the end pieces.
- 5) Put on the back support pad and attach it with the hook-and-loop fastener.



6.6.2 Adjusting the "ultralight" back support upholstery

The back upholstery tension cannot be adjusted with this wheelchair type.

6.6.3 Adjusting the seat upholstery

"Ultralight" seat upholstery

There are no adjustment possibilities for the "ultralight" seat upholstery.

"Tension adjustable" seat upholstery and seat upholstery with storage compartments

The seat upholstery usually does not need to be adjusted during the initial fitting. However, re-tightening is possible. Corrections to the centre of gravity must be made by making changes to the settings on the frame, the axle unit and the caster wheels.

- 1) Remove the seat cushion.
- 2) The seat upholstery can be re-tightened by tightening the hook-and-loop fasteners on the bottom.

6.7 Adjusting the leg supports

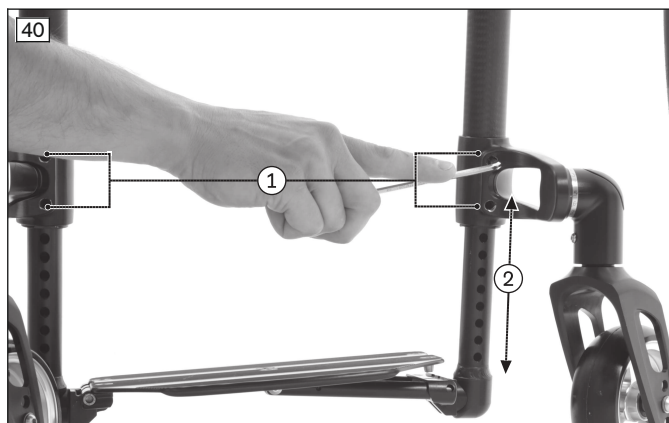
The distance between the footplates and the sitting surface influences sitting stability. The height adjustment acts on the pelvis and ischial bones.

6.7.1 Adjusting the lower leg length

The required leg support height depends on the lower leg length of the user and the thickness of the seat cushion.

Zenit; Zenit CLT – folding version

- 1) Loosen two Allen head screws attaching the tube foot supports to the front frame on both sides (see fig. 40, item 1).
- 2) Adjust the lower leg length (continuously adjustable, see fig. 40, item 2). There are scales on the tubes of the tube foot supports (see fig. 41, item 1).
- 3) Tighten the Allen head screws to **7 Nm**.
→ The lower leg length has to be set to the same height on both sides to prevent canting of the foot plate.

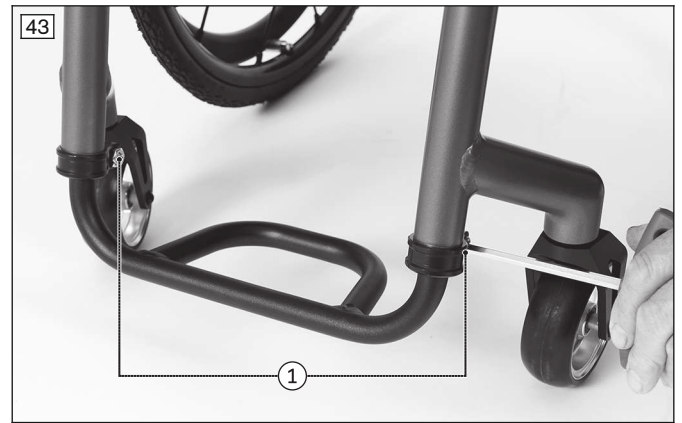
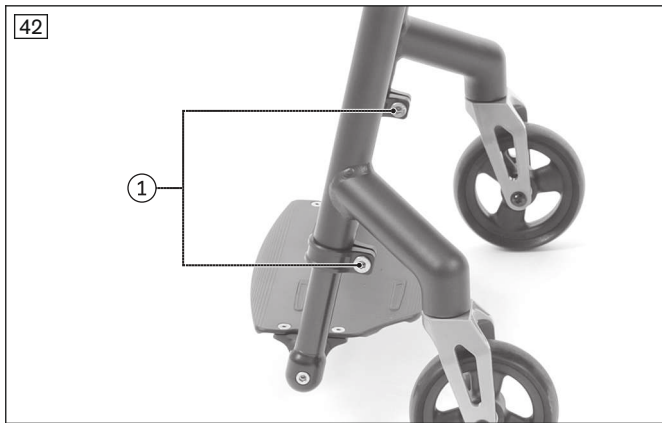


Zenit R; Zenit R CLT – rigid frame version with foot plate

- 1) Loosen two Allen head screws on the clamp brackets attaching the tube foot supports to the front frame on both sides (see fig. 42, item 1).
- 2) Adjust the lower leg length (continuously adjustable). There are scales on the tubes of the tube foot supports.
- 3) Tighten the Allen head screws to **7 Nm**.
→ The lower leg length has to be set to the same height on both sides to prevent canting of the foot plate.

Zenit R; Zenit R CLT – rigid frame version with tube foot support

- 1) Loosen two Allen head screws on the clamp brackets attaching the tube foot support to the front frame on both sides (see fig. 43, item 1).
- 2) Adjust the lower leg length (continuously adjustable).
- 3) Tighten the Allen head screws to **7 Nm**.
→ The lower leg length has to be set to the same height on both sides to prevent canting of the tube foot support.



6.7.2 Adjusting the support angle

INFORMATION

The adjustments described below may also be carried out the same way on the CLT model (not illustrated).

The leg support angle setting should be chosen so that the ankle is in a relaxed, comfortable position.

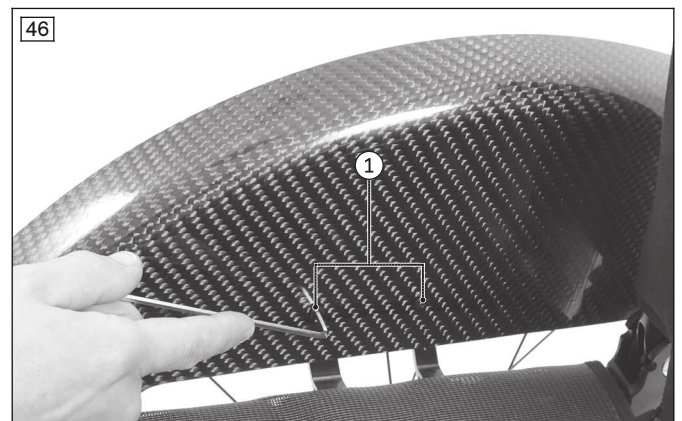
- 1) Loosen the Allen head screw in the positioning joint on both side of the footplate (see fig. 44).
- 2) Turn the footplate to the desired angle.
- 3) Tighten the Allen head screw to **8 Nm**.



6.8 Adjusting the side panels

Adapting to a changed drive wheel position

The side panel is adjusted by moving the mounting screws in the side panel mounting (see fig. 45, see fig. 46, item 1). Readjust the side panel vertically (± 10 mm) and/or horizontally (± 11 mm) according to the change in the drive wheel position.



6.9 Adjusting the anti-tipper

⚠ WARNING

Incorrect installation of the anti-tipper/missing anti-tipper

Tipping over, falling of the user due to failure to observe the installation instructions and because of incorrect adjustment

- ▶ Depending upon the settings of the chassis, the centre of gravity, the back angle and the experience of the user, the use of an anti-tipper may be necessary.
- ▶ For a small wheelbase and a backrest that is tilted far back, an anti-tipper may need to be installed on both sides, depending upon the user's experience.
- ▶ Verify that the anti-tipper has been installed and adjusted properly. Find the appropriate position with the assistance of a helper.

INFORMATION

In order to adjust the anti-tipper correctly, it may be necessary to combine the steps to adjust the length and angle.

INFORMATION

The adjustments described below may also be carried out the same way on the CLT model (not illustrated).

Adjusting the length of the pivot arm

- 1) Remove the Allen head screw on the pivot arm (see fig. 47, item 1).
- 2) Adjust the length of the pivot arm.
- 3) Bolt down the pivot arm. The outer edge of the anti-tipper roller has to project beyond the largest diameter of the tyre (see fig. 47, item 2).

Adjusting the angle of the pivot arm

- 1) Remove the Allen head screws between the anti-tipper tube and the angle adjuster (see fig. 47, item 3).
- 2) Set the angle of the pivot arm.
- 3) Bolt down the pivot arm. The max. distance between the anti-tipper rollers and floor is **50 mm** (see fig. 47).



6.10 Adjusting the tip-assist

Adjusting the height of the tip-assist

- 1) **If necessary:** Press in the tripod spring on the tip-assist (see fig. 48, item 1) and adjust the height of the tip-assist.
- 2) Allow the tripod spring to engage.



6.11 Adjusting the lap belt

⚠ CAUTION

Incorrect approach to the adjustment process

Injuries, malpositions, user discomfort due to adjustment errors

- ▶ The qualified personnel is responsible for the individual positioning and fitting of the belt system.
- ▶ Adjusting the belt system too tightly may lead to unnecessary pain or user discomfort.
- ▶ Adjusting the belt system too loosely can cause the user to slide into a dangerous position. In addition, the fastening snaps could open unintentionally if they slide against hard parts of clothing (e.g. buttons).

⚠ CAUTION

Lack of instruction

Injuries, malpositions, illness of the user due to incorrect information

- ▶ The qualified personnel is responsible for making sure that the user and/or attendant/nursing staff has understood the proper adjustment, use, maintenance and care of the belt system.
- ▶ In particular, ensure that the user and/or attendant/care staff knows how to quickly loosen and open the product to avoid delays in case of emergency.

Information on the settings can be found in the manufacturer's instructions for use accompanying each product.

7 Delivery

7.1 Final inspection

A final check must be carried out before the wheelchair can be handed over:

- Are all options installed according to the order form?
- Are the drive wheels correctly positioned?
- Do the quick-release axles rotate freely and lock securely?
- Have the tyres been correctly inflated?
INFORMATION: The correct tyre pressure is printed on the tyre sidewall. For drive wheels with high-pressure tyres, the minimum air pressure is 7 bar.
- Only after adjustment: Have the brakes (wheel locks) been adjusted correctly?
- Only after adjustments: Has the respective caster journal angle been adjusted vertically?
- Only after adjustments: Has the anti-tipper been adjusted correctly?

7.2 Transport to the customer

NOTICE

Use of unsuitable packaging

Damage to the product caused by transportation using incorrect packaging

- ▶ Use only the original packaging for delivery of the product.

The wheelchair should be transported to the user in disassembled state using the outer packaging.

7.3 Handing over the product

WARNING

Lack of instruction

Tipping over, falling of the user due to lack of knowledge

- ▶ Instruct the user or the attendant in the proper use of the product when handing it over.

The following steps must be performed for the safe delivery of the product:

- Conduct a sitting test with the user of the product. Pay special attention to proper positioning according to medical considerations.
- The user and any attendants must be instructed in the safe use of the product. In particular, the enclosed instructions for use (user) are to be used.
- The instructions for use (user) must be issued to the user/attendant during handover of the wheelchair.
- **Depending on equipment:** The supplied instructions for use for accessories have to be handed over in addition.

8 Maintenance and repair

The manufacturer recommends regular maintenance of the product every **12 months**.

Further information on caring for the product and on maintenance/repair can be found in the instructions for use (user).

Detailed information on repairs can be found in the service manual.

9 Disposal

9.1 Disposal information

All components of the product must be disposed of properly in accordance with the respective national environmental regulations.

9.2 Information on re-use

CAUTION

Used seat padding

Functional and/or hygienic risks due to re-use

- ▶ Replace the seat padding if the wheelchair is to be re-used.

The product is suitable for re-use.

Similar to second-hand machines or vehicles, products that are being re-used are subject to increased strain. Features and performance must not change in a way that could impair the safety of users or third parties during the period of use.

The relevant product must be thoroughly cleaned and disinfected before re-use. Then have the product inspected by qualified personnel with respect to its condition, wear and tear, and damage. Worn and damaged parts as well as components that do not fit or are unsuitable for the user must be replaced.

Detailed information on replacing components as well as information on the required tools can be found in the service manual.

10 Legal information

All legal conditions are subject to the respective national laws of the country of use and may vary accordingly.

10.1 Liability

The manufacturer will only assume liability if the product is used in accordance with the descriptions and instructions provided in this document. The manufacturer will not assume liability for damage caused by disregarding the information in this document, particularly due to improper use or unauthorised modification of the product.

10.2 Warranty

Further information on the warranty terms and conditions is available from the manufacturer's service (see inside back cover for addresses).

10.3 Service life

Expected lifetime: **4 years**

The design, manufacturing and requirements for the intended use of the product are based on the expected lifetime. These also include the requirements for maintenance, ensuring effectiveness and the safety of the product.

11 Technical data

INFORMATION

- ▶ Much of the technical data below is given in mm. Please note that product settings – unless otherwise specified – cannot be adjusted in the mm range but only in increments of approx. **0.5 cm** or **1 cm**.
- ▶ Note that the values achieved during adjustment may deviate from the values specified below. The deviation can be **±10 mm** and **±2°**.

Zenit; Zenit R – general information

	Zenit; Zenit R
Max. load [kg]	120 ¹⁾
Weight [kg]	Zenit: from approx. 8.9 ²⁾ Zenit R: from approx. 7.4 ²⁾
Transport weights [kg] (for seat width of 440 mm)	Frame: 6.5 ²⁾ Drive wheel, 24": 1.3 ²⁾
Seat width [mm]	320–460
Front seat height [mm]	380–540
Rear seat height [mm]	370–500
Seat depth [mm]	360–500
Overall length [mm]	640–1040
Overall width [mm]	495–710
Overall height [mm]	620–1,050
Height, folded [mm]	580–740
Folding size [mm]	330 ³⁾
Back support angle [°]	-10–+10
Back support height [mm]	250–500
Lower leg length [mm]	280–510
Angle leg support to seat bottom [°]	0–15
Distance from arm support to seat [mm]	250–330
Positioning of the arm support [mm]	170–260
Horizontal axle position [mm]	50–140
Anterior frame angle [°]	75–85
Drive wheels	24", 25"
Caster wheels	4", 5", 5.5", 6"
Permissible tyre type	Pneumatic, PU or solid rubber / 1", 1 3/8"
Min. tyre pressure [bar]	7 ⁴⁾
Minimum turning radius [mm] ⁵⁾	480–680
Handrim diameter [mm]	470–560
Maximum permissible inclination [°]/[%] ⁶⁾⁷⁾⁸⁾	7/12.3

¹⁾ Depending on selected option: 100 kg/120 kg. See nameplate for exact information.

²⁾ The specified weights vary according to the selected options and model.

³⁾ Does not apply for Zenit R and Zenit R CLT.

⁴⁾ Varies according to tyre option; see the marking on the tyre wall.

⁵⁾ In accordance with ISO 7176-5.

⁶⁾ Also applies for parking with wheel lock engaged.

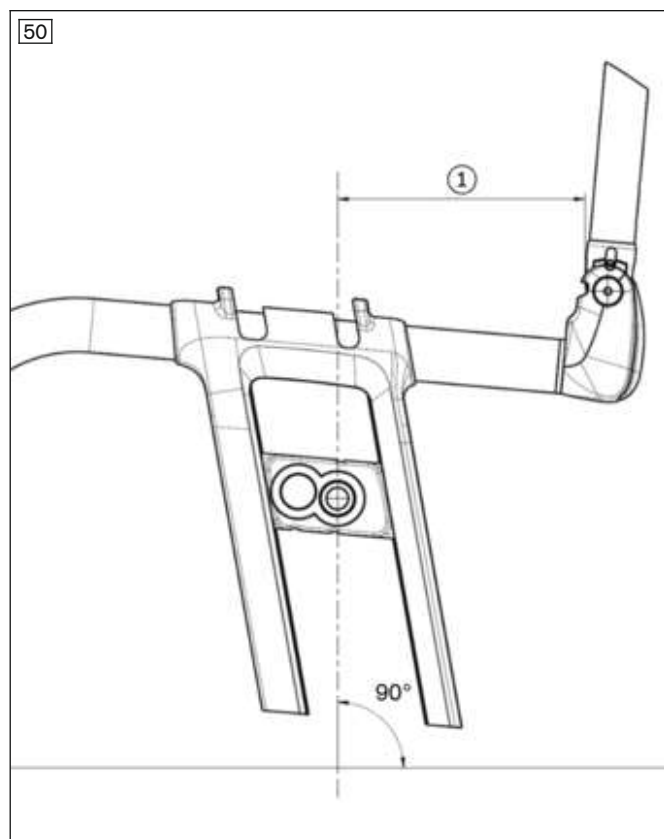
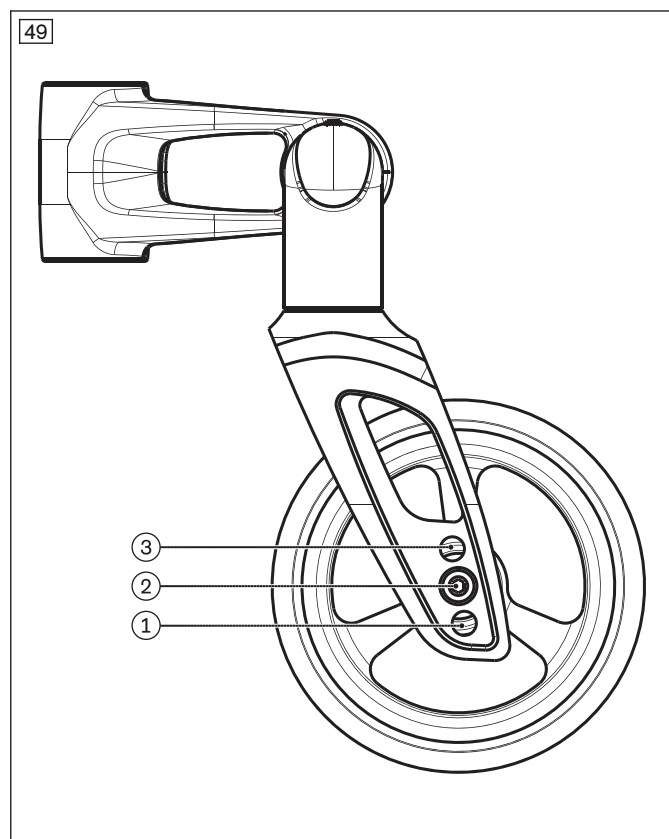
⁷⁾ Applies to all directions (upwards, downwards, sideways).

⁸⁾ In accordance with ISO 7176-1.

Zenit – drawings for adjustment possibilities of the seat height and measurement of the tipping point

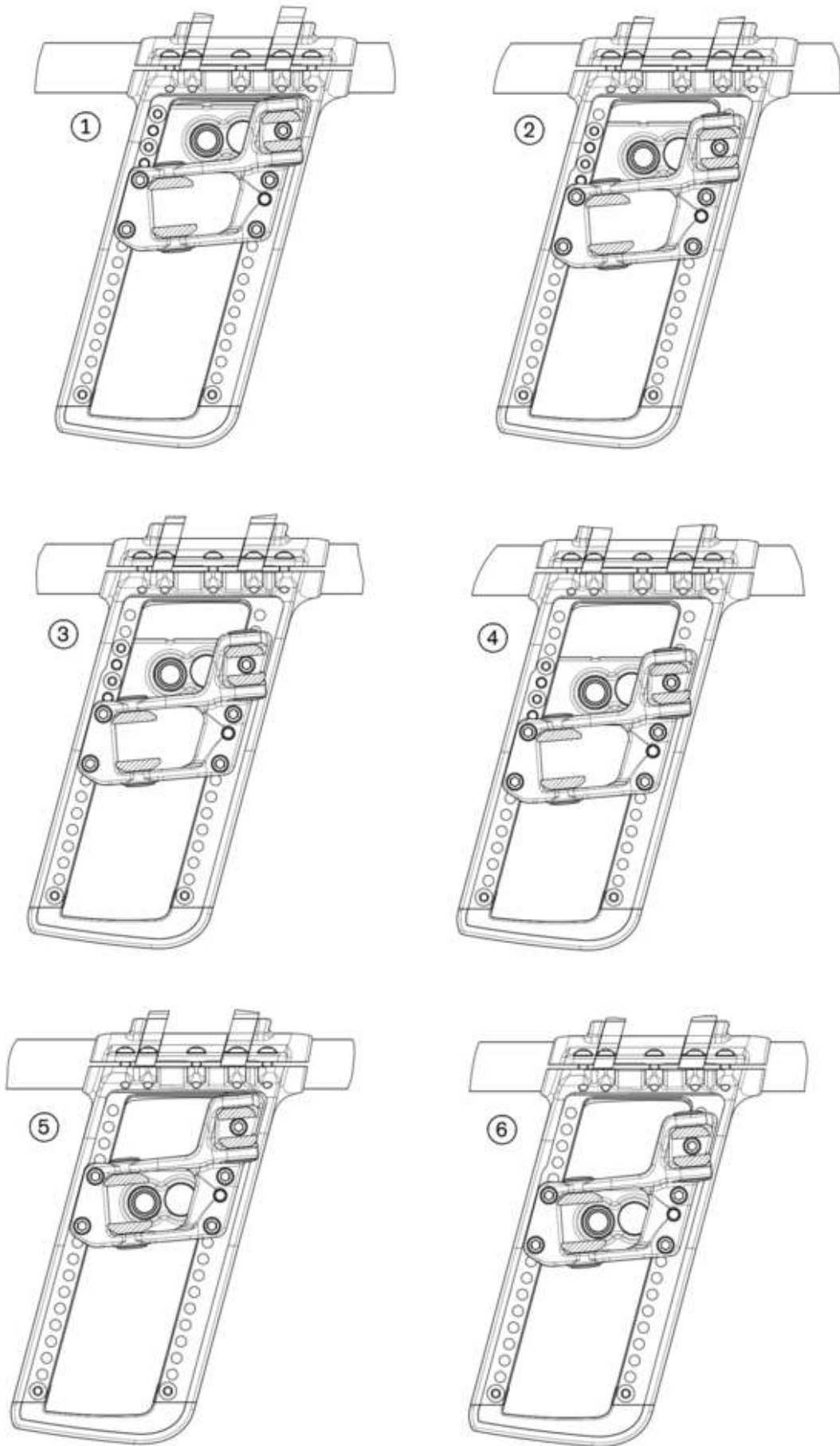
Depending on the installed caster fork, two or three height positions are available for adjusting the front seat height (see fig. 49).

The tipping point is measured in an imaginary line parallel to the floor (see fig. 50, item 1).

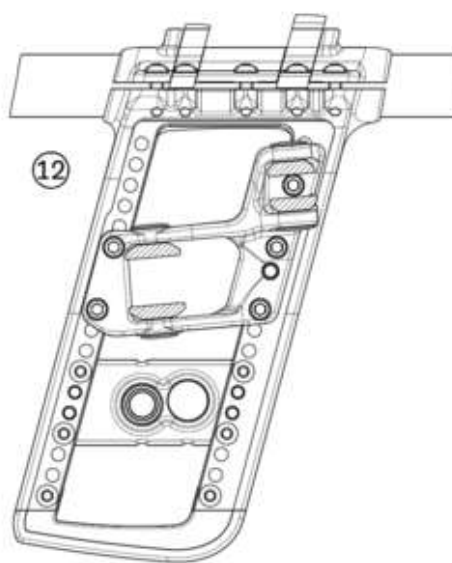
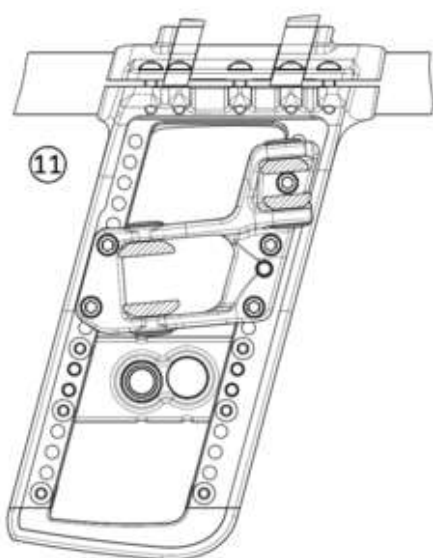
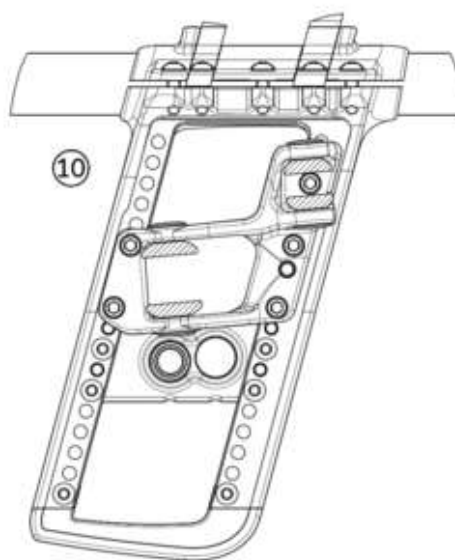
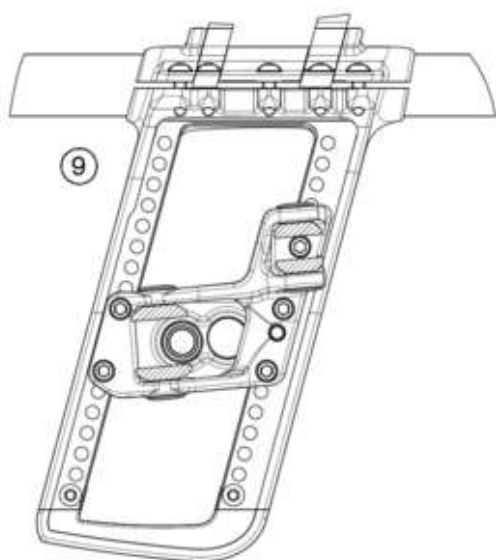
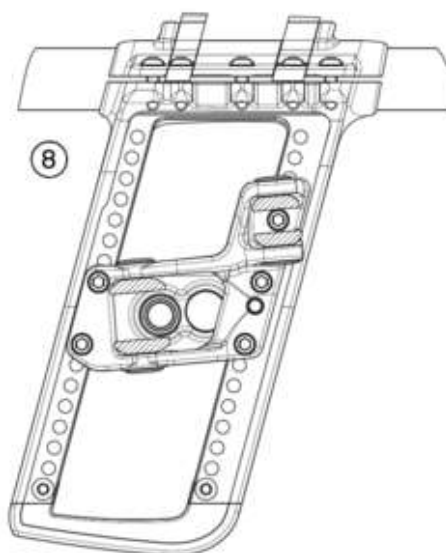
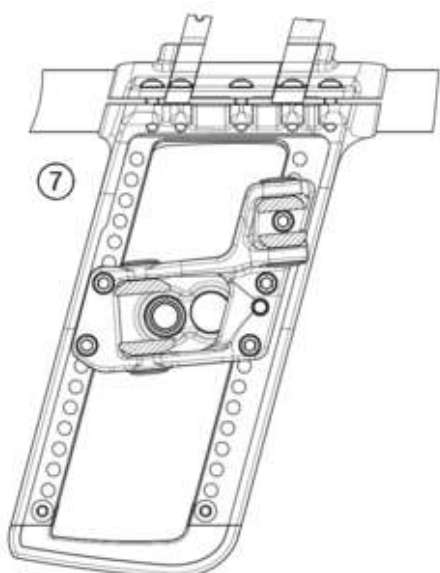


The drive wheel attachment device is installed in one of the 14 height positions illustrated below (see fig. 51 and the following). The drive wheel height is individually pre-adjusted for the user at the factory. Correcting the drive wheel height is only permitted in a range of one height position up or down (corresponding to ± 10 mm) starting from the initial setting.

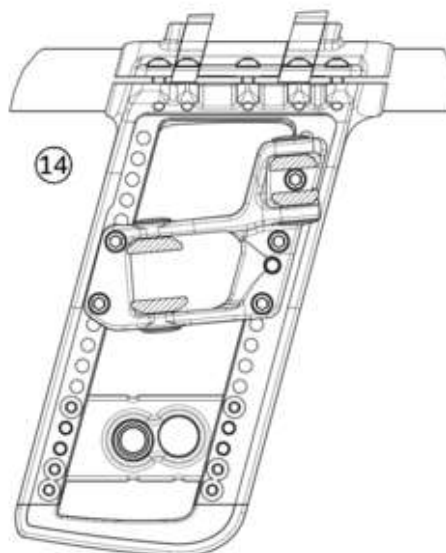
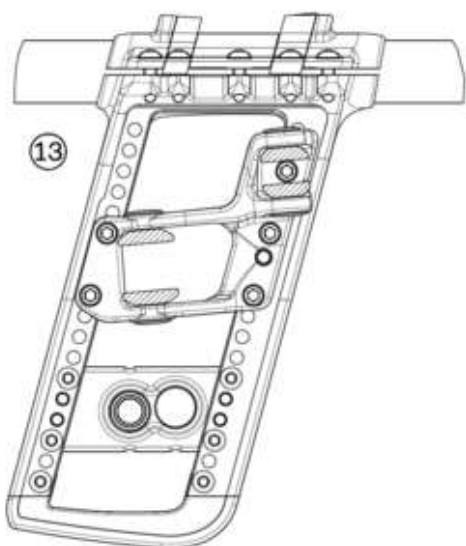
51



52



53



Ambient conditions

Temperatures and relative humidity	
Temperature during use [°C (°F)]	-10 to +40 (14 to 104)
Transport and storage temperature [°C (°F)]	-10 to +40 (14 to 104)
Relative humidity [%]	45 to 85; non-condensing

12 Appendices**12.1 Required tools**

The following tools are required for adjustments and maintenance work:

- Allen keys in sizes 2.5 – 5 mm
- Allen key (DIN 6911) of sizes 4, 5 and 6
- Ring and open-end wrenches in sizes 10, 11, 19, 24 and 27
- Phillips head screwdriver (size: 2)
- Screwdriver (blade width: 2.5 mm)
- Torque wrench (measurement range 3–50 Nm)

12.2 Torque values of the screw connections

Unless otherwise specified, screw connections are tightened with the following torque values:

- Thread diameter M4: 3 Nm
- Thread diameter M5: 5 Nm
- Thread diameter M6: 8 Nm
- Thread diameter M8: 20 Nm



A series of horizontal lines spanning the width of the page, providing a template for writing. There are 25 lines in total, evenly spaced from top to bottom.



A series of horizontal lines spanning the width of the page, providing a template for writing.

Kundenservice/Customer Service

Europe

Otto Bock HealthCare Deutschland GmbH
Max-Näder-Str. 15 · 37115 Duderstadt · Germany
T +49 5527 848-3433 · F +49 5527 848-1460
healthcare@ottobock.de · www.ottobock.de

Otto Bock Healthcare Products GmbH
Brehmstraße 16 · 1110 Wien · Austria
F +43 1 5267985
service-admin.vienna@ottobock.com · www.ottobock.at

Otto Bock Adria d.o.o. Sarajevo
Ramiza Salčina 85
71000 Sarajevo · Bosnia-Herzegovina
T +387 33 255-405 · F +387 33 255-401
obadria@bih.net.ba · www.ottobockadria.com.ba

Otto Bock Bulgaria Ltd.
41 Tzar Boris IIIrd Blvd. · 1612 Sofia · Bulgaria
T +359 2 80 57 980 · F +359 2 80 57 982
info@ottobock.bg · www.ottobock.bg

Otto Bock Suisse AG
Luzerner Kantonsspital 10 · 6000 Luzern 16 · Suisse
T +41 41 455 61 71 · F +41 41 455 61 70
suisse@ottobock.com · www.ottobock.ch

Otto Bock ČR s.r.o.
Protetická 460 · 33008 Zruč-Senec · Czech Republic
T +420 377825044 · F +420 377825036
email@ottobock.cz · www.ottobock.cz

Otto Bock Iberica S.A.
C/Majada, 1 · 28760 Tres Cantos (Madrid) · Spain
T +34 91 8063000 · F +34 91 8060415
info@ottobock.es · www.ottobock.es

Otto Bock France SNC
4 rue de la Réunion · CS 90011
91978 Courtaboeuf Cedex · France
T +33 1 69188830 · F +33 1 69071802
information@ottobock.fr · www.ottobock.fr

Otto Bock Healthcare plc
32, Parsonage Road · Englefield Green
Egham, Surrey TW20 0LD · United Kingdom
T +44 1784 744900 · F +44 1784 744901
bockuk@ottobock.com · www.ottobock.co.uk

Otto Bock Hungária Kft.
Tatai út 74. · 1135 Budapest · Hungary
T +36 1 4511020 · F +36 1 4511021
info@ottobock.hu · www.ottobock.hu

Otto Bock Adria d.o.o.
Dr. Franje Tuđmana 14 · 10431 Sveta Nedelja · Croatia
T +385 1 3361 544 · F +385 1 3365 986
ottobockadria@ottobock.hr · www.ottobock.hr

Otto Bock Italia Srl Us
Via Filippo Turati 5/7 · 40054 Budrio (BO) · Italy
T +39 051 692-4711 · F +39 051 692-4720
info.italia@ottobock.com · www.ottobock.it

Otto Bock Benelux B.V.
Mandenmaker 14 · 5253 RC
Nieuwkuijk · The Netherlands
T +31 73 5186488 · F +31 73 5114960
info.benelux@ottobock.com · www.ottobock.nl

Industria Ortopédica Otto Bock Unip. Ltda.
Av. Miguel Bombarda, 21 - 2º Esq.
1050-161 Lisboa · Portugal
T +351 21 3535587 · F +351 21 3535590
ottobockportugal@mail.telepac.pt

Otto Bock Polska Sp. z o. o.
Ulica Koralowa 3 · 61-029 Poznań · Poland
T +48 61 6538250 · F +48 61 6538031
ottobock@ottobock.pl · www.ottobock.pl

Otto Bock Romania srl
Șos de Centura Chitila - Mogoșoia Nr. 3
077405 Chitila, Jud. Ilfov · Romania
T +40 21 4363110 · F +40 21 4363023
info@ottobock.ro · www.ottobock.ro

OOO Otto Bock Service
p/o Pultikovo, Business Park „Greenwood”,
Building 7, 69 km MKAD
143441 Moscow Region/Krasnogorskiy Rayon
Russian Federation
T +7 495 564 8360 · F +7 495 564 8363
info@ottobock.ru · www.ottobock.ru

Otto Bock Scandinavia AB
Koppargatan 3 · Box 623 · 60114 Norrköping · Sweden
T +46 11 280600 · F +46 11 312005
info@ottobock.se · www.ottobock.se

Otto Bock Slovakia s.r.o.
Röntgenova 26 · 851 01 Bratislava 5 · Slovak Republic
T +421 2 32 78 20 70 · F +421 2 32 78 20 89
info@ottobock.sk · www.ottobock.sk

Otto Bock Sava d.o.o.
Industrijska bb · 34000 Kragujevac · Republika Srbija
T +381 34 351 671 · F +381 34 351 671
info@ottobock.rs · www.ottobock.rs

Otto Bock Ortopedi ve
Rehabilitasyon Tekniği Ltd. Şti.
Mecidiyeköy Mah. Lati Lokum Sok.
Meriç Sitesi B Blok No: 30/B
34387 Mecidiyeköy-Istanbul · Turkey
T +90 212 3565040 · F +90 212 3566688
info@ottobock.com.tr · www.ottobock.com.tr

Africa

Otto Bock Algérie E.U.R.L.
32, rue Ahcène Outaleb - Coopérative les Mimosas
Mackle-Ben Aknoun · Alger · DZ Algérie
T +213 21 913863 · F +213 21 913863
information@ottobock.fr · www.ottobock.fr

Otto Bock Egypt S.A.E.
28 Soliman Abaza St. Mohandessein · Giza · Egypt
T +20 2 37606818 · F +20 2 37605734
info@ottobock.com.eg · www.ottobock.com.eg

Otto Bock South Africa (Pty) Ltd
Building 3 Thornhill Office Park · 94 Bekker Road
Midrand · Johannesburg · South Africa
T +27 11 564 9360
info-southafrica@ottobock.co.za
www.ottobock.co.za

Americas

Otto Bock Argentina S.A.
Av. Belgrano 1477 · CP 1093
Ciudad Autónoma de Buenos Aires · Argentina
T +54 11 5032-8201 / 5032-8202
atencionclientes@ottobock.com.ar
www.ottobock.com.ar

Otto Bock do Brasil Tecnica Ortopédica Ltda.
Alameda Maria Tereza, 4036, Bairro Dois Córregos
CEP: 13.278-181, Valinhos-São Paulo · Brasil
T +55 19 3729 3500 · F +55 19 3269 6061
ottobock@ottobock.com.br · www.ottobock.com.br

Otto Bock HealthCare Canada
5470 Harvester Road
Burlington, Ontario, L7L 5N5, Canada
T +1 800 665 3327 · F +1 800 463 3659
CACustomerService@ottobock.com
www.ottobock.ca

Oficina Ottobock Habana
Calle 3ra entre 78 y 80.
Edificio Jerusalem · Oficina 112 · Calle 3ra.
Playa, La Habana. Cuba
T +53 720 430 69 · +53 720 430 81
hector.corcho@ottobock.com.br
www.ottobock.com.br

Otto Bock HealthCare Andina Ltda.
Calle 138 No 53-38 · Bogotá · Colombia
T +57 1 8619988 · F +57 1 8619977
info@ottobock.com.co · www.ottobock.com.co

Otto Bock de Mexico S.A. de C.V.
Prolongación Calle 18 No. 178-A
Col. San Pedro de los Pinos
C.P. 01180 México, D.F. · Mexico
T +52 55 5575 0290 · F +52 55 5575 0234
info@ottobock.com.mx · www.ottobock.com.mx

Otto Bock HealthCare LP
11501 Alterra Parkway Suite 600
Austin, TX 78758 · USA
T +1 800 328 4058 · F +1 800 962 2549
USCustomerService@ottobock.com
www.ottobockus.com

Asia/Pacific

Otto Bock Australia Pty. Ltd.
Suite 1.01, Century Corporate Centre
62 Norwest Boulevard
Baulkham Hills NSW 2153 · Australia
T +61 2 8818 2800 · F +61 2 8814 4500
healthcare@ottobock.com.au · www.ottobock.com.au

Beijing Otto Bock Orthopaedic Industries Co., Ltd.
B12E, Universal Business Park
10 Jiuxianqiao Road, Chao Yang District
Beijing, 100015, P.R. China
T +8610 8598 6880 · F +8610 8598 0040
news-service@ottobock.com.cn
www.ottobock.com.cn

Otto Bock Asia Pacific Ltd.
Unit 1004, 10/F, Greenfield Tower, Concordia Plaza
1 Science Museum Road, Tsim Sha Tsui
Kowloon, Hong Kong · China
T +852 2598 9772 · F +852 2598 7886
info@ottobock.com.hk · www.ottobock.com

Otto Bock HealthCare India Pvt. Ltd.
20th Floor, Express Towers
Nariman Point, Mumbai 400 021 · India
T +91 22 2274 5500 / 5501 / 5502
information@indiaottobock.com · www.ottobock.in

Otto Bock Japan K. K.
Yokogawa Building 8F, 4-4-44 Shibaura
Minato-ku, Tokyo, 108-0023 · Japan
T +81 3 3798-2111 · F +81 3 3798-2112
ottobock@ottobock.co.jp · www.ottobock.co.jp

Otto Bock Korea HealthCare Inc.
4F Agaworld Building · 1357-74, Seocho-dong
Seocho-ku, 137-070 Seoul · Korea
T +82 2 577-3831 · F +82 2 577-3828
info@ottobockkorea.com · www.ottobockkorea.com

Otto Bock South East Asia Co., Ltd.
1741 Phaholyothin Road
Kwaeng Chatuchark · Khet Chatuchark
Bangkok 10900 · Thailand
T +66 2 930 3030 · F +66 2 930 3311
obsea@ottobock.co.th · www.ottobock.co.th

Other countries

Ottobock SE & Co. KGaA
Max-Näder-Straße 15 · 37115 Duderstadt · Germany
T +49 5527 848-1590 · F +49 5527 848-1676
reha-export@ottobock.de · www.ottobock.com

Ihr Fachhändler | Your specialist dealer



Otto Bock Mobility Solutions GmbH
Lindenstraße 13 · 07426 Königsee/Germany
www.ottobock.com

