



Kimba Neo, Kimba Cross, Kimba Inline

EN Instructions for use 3

Table of contents

EN

1	Foreword	6
2	Product description	6
2.1	Function	6
2.2	Product overview	6
2.2.1	Kimba Neo	6
2.2.2	Kimba Cross	8
2.2.3	Kimba Inline	9
3	Intended use	9
3.1	Indications for use	9
3.2	Indications	10
3.3	Contraindications	10
3.3.1	Absolute Contraindications	10
3.3.2	Relative Contraindications	10
3.4	Qualification	10
4	Safety	10
4.1	Explanation of warning symbols	10
4.2	Safety instructions for assembly and adjustments	10
4.3	Safety instructions for use	10
4.4	Side effects	14
4.5	Further information	14
4.6	Nameplate and warning labels	14
4.6.1	Nameplate	14
4.6.1.1	Kimba Neo	14
4.6.1.2	Kimba Cross, Kimba Inline	15
4.6.2	Warning labels	15
5	Delivery	16
5.1	Scope of delivery	16
5.1.1	Kimba Neo	16
5.1.2	Kimba Cross	16
5.1.3	Kimba Inline	16
5.2	Options	16
5.3	Storage	16
5.3.1	Storage during daily use	16
5.3.2	Storage during extended disuse	17
6	Preparing the product for use	17
6.1	Assembly	17
6.1.1	Kimba Neo	17
6.1.2	Kimba Cross	18
6.1.2.1	Equipment package	19
6.1.3	Kimba Inline	20
6.2	Retrofitting the respirator platform (Kimba Neo only)	20
6.2.1	Installation with a seat facing opposite to direction of travel	21
6.2.2	Installation with a seat facing in the direction of travel	23
7	Delivery	24
7.1	Transport to the customer	24
7.2	Handing over the product	24
8	Use	25
8.1	Instructions for use	25
8.2	Kimba Neo	25
8.2.1	Seating unit	25
8.2.1.1	Kimba Neo seating unit	25
8.2.1.2	Alternative seating systems without own seat angle adjustment	26
8.2.2	Seating shell interface	27

8.2.3	Push bar	28
8.2.3.1	Adjusting the push bar	28
8.2.4	Wheel lock	28
8.2.4.1	Operating the wheel lock	29
8.2.5	Front wheels	29
8.2.6	Suspension	29
8.2.7	Additional options	30
8.2.7.1	Tip-assist	30
8.2.7.2	Frame padding	30
8.2.7.3	Storage bag	31
8.2.7.4	Buggy board	31
8.2.7.5	Platform for respirator	32
8.2.7.6	Cup holder	33
8.2.8	Disassembly and transport	33
8.2.9	Use in vehicles for transporting persons with reduced mobility	34
8.2.9.1	Required accessories	35
8.2.9.2	Using the product in a vehicle	36
8.2.9.3	Adjusting the seating unit	36
8.2.9.4	Adjusting and securing the seat angle	36
8.2.9.4.1	Kimba Neo seating unit	36
8.2.9.4.2	Alternative seating systems	37
8.2.9.5	Adjusting and securing the back angle	37
8.2.9.5.1	Kimba Neo seating unit	37
8.2.9.5.2	Alternative seating systems	38
8.2.9.6	Securing the product in the vehicle	38
8.2.9.7	Securing the user in the product	39
8.2.9.8	Restrictions for use	40
8.3	Kimba Cross	40
8.3.1	Seating unit	40
8.3.2	Seating shell interface	41
8.3.3	Push bar	41
8.3.3.1	Adjusting the push bar height	42
8.3.3.2	Adjusting the push bar angle	42
8.3.4	Wheel lock	42
8.3.4.1	Engaging the wheel lock	42
8.3.4.2	Adjusting the wheel lock	43
8.3.5	Adjusting the seat angle	43
8.3.6	Adjusting the wheelbase	43
8.3.7	Use as a bicycle trailer	44
8.3.7.1	Mounting the coupling on the bicycle	44
8.3.7.2	Coupling the trailer to the bicycle	45
8.3.7.3	Equipment package	45
8.3.8	Additional options	45
8.3.8.1	Swivelling front wheel	45
8.3.8.2	Splash guard for rear wheels/clothing protectors	45
8.3.8.3	Anti-tipper	45
8.3.8.4	Storage bag	46
8.3.8.5	Spoke protector	46
8.3.9	Disassembly and transport	46
8.3.9.1	Folding the chassis	46
8.3.10	Use in vehicles for transporting persons with reduced mobility	47
8.4	Kimba Inline	48
8.4.1	Seating unit	48
8.4.2	Seating shell interface	48
8.4.3	Adjusting the seat tilt	49
8.4.4	Push bar	49
8.4.4.1	Adjusting the push bar	49
8.4.5	Wheel lock	50
8.4.5.1	Engaging the wheel lock	50

8.4.5.2	Adjusting the wheel lock	50
8.4.6	Adjusting the wheelbase	51
8.4.7	Disassembly and transport	51
8.4.8	Use in vehicles for transporting persons with reduced mobility.....	52
8.5	Care.....	52
8.5.1	Detaching/attaching the frame padding for cleaning (Kimba Neo only, option)	52
8.5.2	Cleaning	53
8.5.2.1	Cleaning by hand	53
8.5.2.2	Cleaning in a washing chamber	53
8.5.3	Disinfection	53
9	Maintenance and repair	53
9.1	Maintenance.....	53
9.1.1	Maintenance intervals	54
9.1.2	Maintenance tasks	54
9.2	Repair	54
10	Disposal	54
10.1	Disposal information	54
10.2	Information on re-use.....	55
11	Legal information.....	55
11.1	Liability	55
11.2	Warranty	55
11.3	Service life	55
12	Technical data	56
12.1	Kimba Neo	56
12.2	Kimba Cross	56
12.3	Kimba Inline	57
13	Appendices	57
13.1	Threshold values for rehab buggies transportable by train	57

1 Foreword

INFORMATION

Date of last update: 2020-03-27

- ▶ Please read this document carefully before using the product and observe the safety notices.
- ▶ Obtain instruction from the qualified personnel in the safe use of the product.
- ▶ Please contact the qualified personnel if you have questions about the product or in case of problems.
- ▶ Report each serious incident in connection with the product, in particular a worsening of the state of health, to the manufacturer and to the relevant authority in your country.
- ▶ Please keep this document for your records.

INFORMATION

- ▶ New information regarding product safety and product recalls as well as the declaration of conformity can be obtained at oa@ottobock.com or from the manufacturer's service department (see inside or outside of back cover for addresses).
- ▶ You can request this document as a PDF file at oa@ottobock.com or from the manufacturer's service department (see inside or outside of back cover for addresses). The PDF file can also be displayed in a larger size.

You have received a product that is very versatile for everyday use at home and outdoors.

In order to exclude injuries of any type, familiarise yourself with the handling, functions and intended use of the product before using it. These instructions for use provide you with the related necessary information.

Please note the following in particular:

- All users and/or their attendants must be trained by qualified personnel in the use of the product. In particular, users and/or attendants must be informed of the residual risks with the aid of the safety notices in the instructions for use (user).
- The product was adapted to the needs of the user. Subsequent changes may be made only by qualified personnel. We recommend checking the product settings **once per year** to ensure optimal treatment over the long term. Especially for users with a changing anatomy (for example body dimensions, weight), an adjustment at least **once every six months** is recommended.
- Your product may differ from the models shown. In particular, not all the options described in these instructions for use will be installed on your product.
- The manufacturer reserves the right to make technical changes to the model described in these instructions for use.

2 Product description

2.1 Function

The product is intended exclusively for holding seating systems to transport one child on the seat (Kimba Inline: two seats).

The product can be used on solid ground both indoors and outdoors.

2.2 Product overview

2.2.1 Kimba Neo

INFORMATION

The Kimba Neo outdoor mobility base is available with and without separate seat angle adjustment (see fig. 1 and ##03432). On an outdoor mobility base without separate seat angle adjustment (##03432), the Kimba Neo seating unit must be used in order to use the seat tilt.



Kimba Neo – outdoor mobility base for alternative seating systems with “swivelling” front wheels option

1	Plug-on rear wheel	6	Adjustable push bar
2	“Swivelling” front wheel (option)	7	Release handle, folding mechanism
3	Swivel lock	8	Separate seat angle adjustment on frame
4	Front lashing point	9	Rear lashing point
5	Seat adapter	10	Suspension

2.2.2 Kimba Cross



Kimba Cross – outdoor mobility base for Kimba Neo seating unit and alternative seating systems

1	Frame
2	Front wheel (swivelling)
3	Front wheel (fixed)
4	Plug-on rear wheel/drum brake
5	Push bar

2.2.3 Kimba Inline



Kimba Inline – outdoor mobility base for Kimba Neo seating unit and alternative seating systems

1	Frame
2	Front wheel (swivelling)
3	Drum brake
4	Push bar

3 Intended use

The safe use of the product can only be ensured in case of intended use in accordance with the information contained in these instructions for use. The user is ultimately responsible for accident-free operation.

3.1 Indications for use

The product is intended for everyday indoor and outdoor use, by an attendant, of children with temporary or permanent limitations of the ability to walk, inability to walk or difficulty standing up.

The product is suitable for users with intact skin whose anatomy (such as body dimensions and weight) permits the intended use of the product. It is operated by an attendant.

The product may only be used with the options that are listed on the product order form. Ottobock assumes no liability for combinations with medical devices and/or accessories from other manufacturers outside the modular system.

Combinations based on a combination agreement that have been evaluated for effectiveness and safety are an exception to this.

3.2 Indications

- Minor to pronounced or complete restrictions of mobility

3.3 Contraindications

3.3.1 Absolute Contraindications

- None known

3.3.2 Relative Contraindications




- Failure to meet physical or mental requirements

3.4 Qualification


Installation and adjustment tasks may only be carried out by qualified personnel. Compliance with all manufacturer specifications and all applicable legal provisions is required. Please contact the manufacturer's service department for further information (see inside or outside of rear cover for addresses).


4 Safety

4.1 Explanation of warning symbols

 WARNING	Warning regarding possible serious risks of accident or injury.
 CAUTION	Warning regarding possible risks of accident or injury.
 NOTICE	Warning regarding possible technical damage.


4.2 Safety instructions for assembly and adjustments

<p> WARNING</p> <p>Making incorrect adjustments</p> <p>Risk of falling, tipping over or malposition of the user due to incorrect settings</p> <ul style="list-style-type: none"> ▶ Settings may only be changed by qualified personnel unless otherwise prescribed. ▶ Before testing setting changes with the user seated, all screw connections must be firmly tightened. ▶ Check the product for safety and functionality after changing the settings.
--

<p> CAUTION</p> <p>Unsecured screw connections</p> <p>Pinching, crushing, tipping over, falling of user due to assembly errors</p> <ul style="list-style-type: none"> ▶ After all adjusting/readjusting work, retighten the attachment screws/nuts firmly. ▶ Please note that all adjustment levers are tightened by hand without the help of tools.

4.3 Safety instructions for use

Hazards during preparation for use

<p> WARNING</p> <p>Independent modification of settings</p> <p>Serious injuries to the user due to improper changes to the product</p> <ul style="list-style-type: none"> ▶ Do not modify the settings established by the qualified personnel. Only the settings described in the section "Use" in these instructions for use may be adjusted independently. ▶ In case of problems with the settings, please contact the qualified personnel who adjusted your product.
--

⚠ WARNING**Improper handling of packaging materials**

Risk of suffocation due to neglect of the duty to supervise

- ▶ Packaging materials must be kept out of the reach of children.

Hazards when getting in**⚠ CAUTION****Wheel lock not engaged when getting in or out**

Falling, tipping over of the user due to user error

- ▶ Before the user gets in or out, always engage and check the wheel lock.
- ▶ Engage the wheel lock to prevent the rehab buggy from moving on uneven ground or during transfers (e.g. into a car).

Hazards while driving**⚠ WARNING****Pushing too fast**

Tipping over, falling of the user due to caster wheel wobble

- ▶ The swivelling front wheels may begin to wobble at higher speeds and lead to an abrupt stop, causing the rehab buggy to tip over forwards.
- ▶ Therefore, push the rehab buggy only at normal walking speed or engage the swivel lock (see section "Use"). It is not permissible to let go of the push bar while pushing the buggy or to thrust it away from you.

⚠ WARNING**Unsupervised parking**

Falling out, falling of the user due to neglect of the duty to supervise

- ▶ Never leave the user unattended, not even when the positioning belts or safety belts are secured and the wheel locks are activated.

⚠ WARNING**Impermissible use**

Tipping over, rolling over of the user due to failure to observe specifications

- ▶ Using a rehab buggy beyond normal conditions may be dangerous.
- ▶ Please note that this product is not suitable for jogging, running, skating, etc. (not Kimba Cross).
- ▶ Do not exceed the maximum load capacity (see the section "Technical data").

⚠ CAUTION**Lack of driving experience**

Tipping over, falling due to errors in handling the product

- ▶ Practice on level, open ground first.
- ▶ Learn with the support of an assistant how the rehab buggy reacts to changes in the centre of gravity, e.g. downward or upward slopes, inclines or when overcoming obstacles.
- ▶ Always activate the anti-tipper (if any).

⚠ CAUTION**Improper loading**

Tipping over, falling of the user due to shift in centre of gravity

- ▶ Please note that any additional load may have a negative impact on the stability of the rehab buggy.
- ▶ Do not hang heavy bags or the like on the push bar/push handles.

⚠ CAUTION

Incorrect centre of gravity setting

Falling of the user due to extreme settings

- ▶ Check the standard adjustments of the rehab buggy for stability against tipping and the ergonomically correct sitting position of the user. Avoid any extreme settings.

⚠ CAUTION

Changed centre of gravity after operating the seat tilt

Tipping over, falling out of the user due to adjustment error

- ▶ Check the tip resistance each time after changing the seat tilt, especially in combination with a back support angle setting. To do so, hold the product with both hands by the push handle/push bar.

⚠ CAUTION

Change in centre of gravity following back angle adjustment

Falling over, falling out of the user due to adjustment errors

- ▶ After each modification of the back angle, check the tilt stability. To do so, hold the product with both hands by the push handle/push bar.

⚠ CAUTION

Risky operation

Falling, tipping over backwards due to approaching obstacles incorrectly

- ▶ Push slowly when crossing obstacles (e.g. steps, curbs) and negotiating uphill or downhill slopes and inclines.
- ▶ Never cross obstacles at an angle. Always approach obstacles head on (at an angle of 90°).
- ▶ Raise the front wheels before crossing obstacles.
- ▶ Avoid collisions with obstacles and dropping off curbs/ledges.
- ▶ Avoid riding cross-country.

Hazards when overcoming obstacles

⚠ WARNING

Overcoming steps and obstacles without assistance

Tipping over, falling of the user due to failure to observe transportation instructions

- ▶ Always have accompanying persons help you negotiate steps and other obstacles.
- ▶ Use available facilities (e.g. access ramps or lifts).

⚠ CAUTION

Improper lifting by attendants

Tipping over, falling of the user due to lifting by removable components

- ▶ Attendants may lift the buggy only by welded or permanently attached components (e.g. front frame tube above the front wheels, rear axle).
- ▶ It is particularly dangerous to lift the buggy by the unfixed push handle/push bar.

Hazard in case of broken skin

⚠ CAUTION

Skin damage

Skin damage or pressure points due to overloading

- ▶ Check your skin for intactness before and during use of the product.
- ▶ Pay attention to diligent skin care and pressure redistribution during interruptions in using the product.
- ▶ If skin damage or other problems occur during use, stop using the product. Consult the qualified personnel.

Hazards due to fire, heat and cold

CAUTION

Extreme temperatures

Hypothermia or burns due to contact with components, failure of components

- ▶ Do not expose the product to any extreme temperatures (e.g. direct sunlight, sauna, extreme cold).
- ▶ Do not leave the product in the immediate vicinity of heaters.

Hazards due to improper use of the product

WARNING

Overloading

Severe injuries if the product tips over due to overloading, damage to the product

- ▶ Do not exceed the maximum load capacity (see the nameplate and section "Technical data").
- ▶ Please note that certain accessories and add-on components will reduce the remaining load capacity.

WARNING

Loss of stability due to overloading

Falling, tipping over of the user due to changed centre of gravity

- ▶ Please note that any additional load may have a negative impact on the stability of the rehab buggy.
- ▶ Never hang heavy bags or the like on the push bar.

WARNING

Exceeding the service life

Serious injuries due to failure to observe the manufacturer's requirements

- ▶ Using the product beyond the specified expected service life leads to increased residual risk.
- ▶ Observe the specified service life.

WARNING

Failure to inspect the seating unit before each use

User may fall, tip over or fall out of the product due to failure to carry out checks

- ▶ In the interest of user safety, make the following checks before using the product:
 - Check that the seat tilt and back support angle mechanisms are firmly locked.
 - Check that the buckles on the positioning belts and positioning aids are working correctly.

CAUTION

Use of the product during diagnostic examinations and therapeutic treatment

Impairment of the examination results or the effectiveness of treatment due to interactions of the product with devices that are used

- ▶ Make sure that examinations and treatments are carried out exclusively under the prescribed conditions.

CAUTION

Uncontrolled driving behaviour, unexpected sounds or odours

Falling, tipping, collision with persons or nearby objects due to defects

- ▶ If any faults, defects or other hazards that can lead to personal injury are detected, the product must be taken out of service immediately. This includes uncontrolled movements as well as sounds that are unexpected or previously not noted or odours that deviate significantly from the state of the product at the time of delivery.
- ▶ Contact the qualified personnel.

CAUTION

Lack of maintenance

User falling or tipping over due to lack of maintenance

- ▶ Check that the product is working correctly before each use.
- ▶ Observe the specified maintenance intervals (see Page 53, "Maintenance" section).

NOTICE

Use under incorrect environmental conditions

Damage to product due to corrosion or abrasion

- ▶ Do not use the product in salt water.
- ▶ Make sure that the wheel bearings are not damaged by sand or other particles.

4.4 Side effects

The following side effects may occur during use of the product:

- Neck, muscle and joint pain
- Circulatory disorders, risk of pressure sores

Contact a doctor or therapist in case of problems.

4.5 Further information

INFORMATION

Even in the event of compliance with all applicable guidelines and standards, alarm systems (e.g. in department stores) may respond to your product. Should this happen, remove your product from the area where the alarm was triggered.

INFORMATION

Please note that all options and add-on components will reduce the remaining load capacity.

INFORMATION

The serial number required for enquiries and orders can be found on the nameplate. For explanations of the nameplate, see the section "Nameplate" (see Page 14).

4.6 Nameplate and warning labels

4.6.1 Nameplate

The nameplates are found on the frame.

4.6.1.1 Kimba Neo

Label	Meaning
	A Manufacturer's product name
	B CE marking
	C Maximum load (see section "Technical data")
	D Manufacturer information/address
	E Serial number ¹⁾
	F Manufacturing date ²⁾
	G Symbol for medical device
	H WARNING! Read the instructions for use before using the product. Observe important safety-related information (e.g. warnings, precautions).
	I Manufacturer's reference number for the product variant
	J Serial number (PI) ^{3),1)}
	K Global Trade Item Number (DI) ⁴⁾

¹⁾ YYYY = year of manufacture; WW = week of manufacture; PP = production site; XXXX = sequential production number

²⁾ YYYY = year of manufacture; MM = month of manufacture; DD = day of manufacture

³⁾ UDI-PI to GS1 standard; UDI = Unique Device Identifier, PI = Product Identifier

⁴⁾ UDI-DI to GS1 standard; UDI = Unique Device Identifier, DI = Device Identifier

4.6.1.2 Kimba Cross, Kimba Inline

Label	Meaning
	A Manufacturer's product name
	B CE marking
	C Maximum load (see section "Technical data")
	D Manufacturer information/address
	E Serial number ¹⁾
	F Manufacturing date ²⁾
	G Symbol for medical device
	H WARNING! Read the instructions for use before using the product. Observe important safety-related information (e.g. warnings, precautions).
	I The product has not been approved by the manufacturer for use as a seat in vehicles for transporting persons with reduced mobility
	J Manufacturer's reference number for the product variant
	K Serial number (PI) ^{3),1)}
	L Global Trade Item Number (DI) ⁴⁾

1) YYYY = year of manufacture; WW = week of manufacture; PP = production site; XXXX = sequential production number

2) YYYY = year of manufacture; MM = month of manufacture; DD = day of manufacture

3) UDI-PI to GS1 standard; UDI = Unique Device Identifier, PI = Product Identifier

4) UDI-DI to GS1 standard; UDI = Unique Device Identifier, DI = Device Identifier

4.6.2 Warning labels

Label	Meaning
<p>Achtung: Bitte beachten Sie die maximale Zuladung des Untergestells!</p> <p>Attention: Please note the permissible vehicle payload!</p>	<p>Attention: Please observe the maximum load capacity of the outdoor mobility base! (See the section "Technical data".)</p>
	<p>Fixation point to attach the product in vehicles for transporting persons with reduced mobility</p>

Label	Meaning
<p>WARNING</p> <p>ACHTUNG: Lassen sie Ihr Kind nicht unbeaufsichtigt!</p> <p>ATTENTION: Never leave your child unattended!</p> <p>ACHTUNG: Dieser Sitz ist für Kinder unter 6 Monaten nicht geeignet!</p> <p>ATTENTION: This seating unit is unsuitable for children aged below 6 month!</p> <p>ottobock.</p>	<p>WARNUNG/WARNING</p> <p>ATTENTION! Never leave your child unattended!</p> <p>ATTENTION! Never leave your child unattended!</p> <p>ATTENTION! This seating unit is unsuitable for children aged below 6 months!</p> <p>ATTENTION! This seating unit is unsuitable for children aged below 6 months!</p>

5 Delivery

5.1 Scope of delivery

5.1.1 Kimba Neo

- Frame, folded
- Options according to the order
- Instructions for use
- Instructions for use for accessories (depending on equipment)

5.1.2 Kimba Cross

- Frame, folded
- 2 rear wheels with quick-release axle
- One front wheel with quick-release lock and mounted splash guard
- Options according to the order
- Instructions for use (user)
- Instructions for use for accessories (depending on equipment)

5.1.3 Kimba Inline

- Frame, folded
- Options according to the order
- Instructions for use (user)
- Instructions for use for accessories (depending on equipment)

5.2 Options

The standard model can be fitted to the user's personal requirements thanks to a large range of options. For use of these options: see Page 25 ff.

5.3 Storage

5.3.1 Storage during daily use

The product should always be stored so it is protected against external influences.

5.3.2 Storage during extended disuse

The product must be stored in a dry place. Specific information for extended storage: see Page 56.

It is not necessary to disassemble the product.

Maintain sufficient clearance from sources of heat. If the product is parked for an extended period of time or the tyres overheat (e.g. in the vicinity of radiators or in case of exposure to strong sunlight behind glass), the tyres may become permanently deformed.

Direct exposure to sunlight or UV radiation causes the tyres to age more quickly. As a result, the tread surface hardens and corner pieces break out of the tread.

The tyres should be replaced every **2 years** regardless of wear and tear.

6 Preparing the product for use

6.1 Assembly

CAUTION

Exposed pinch points

Crushing, pinching due to incorrect handling

- ▶ When folding out the backrest, only grip by the specified components.

CAUTION

Improper assembly

Falling, tipping over of the user due to components coming off

- ▶ After each assembly, verify the proper fit of the removable wheels. The quick-release axles must be firmly locked in the wheel attachment.
- ▶ Before using the product, the folding mechanism must be firmly locked in place.
- ▶ When attaching the seating unit, make sure you hear it engage into the outdoor mobility base.
- ▶ Secure the seating unit using the seat lock.

6.1.1 Kimba Neo

CAUTION

Incorrect adjustment of the tilt-limiter on the outdoor mobility base

User falls out due to user error

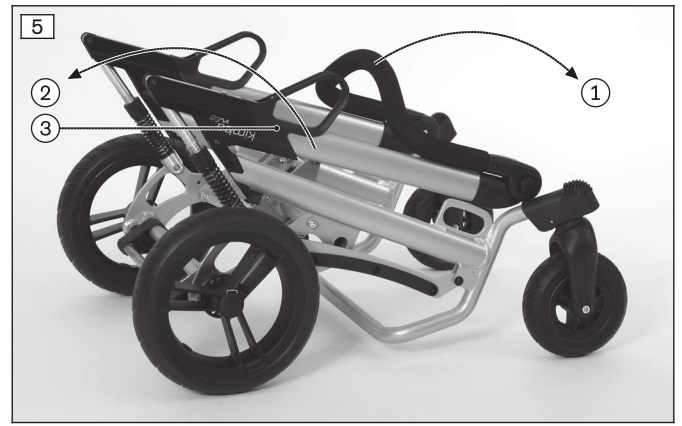
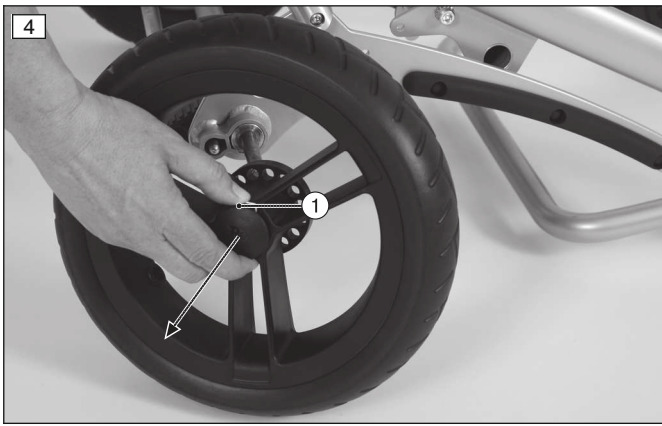
- ▶ Before mounting the seating unit on the outdoor mobility base, adjust the tilt-limiter as appropriate for the direction in which the seating unit will face.
- ▶ The tilt-limiter is adjusted on the outdoor mobility base. For information on adjusting the tilt-limiter, see the instructions for use for the outdoor mobility base.

Attaching the rear wheels

- 1) If wheel locks are engaged: disengage wheel locks.
- 2) Depress the locks on the wheels (see fig. 4, item 1).
- 3) Push the rear wheels onto the axle until the lock clicks into place audibly.

Unfolding the rehab buggy (when the seating unit is detached)

- 1) Unfold the push bar (see fig. 5, item 1). To unfold the push bar: see Page .
 - 2) Unfold the rehab buggy by pulling on the push bar (see fig. 5, item 2; see fig. 6).
- The release handles of the folding mechanism engage automatically after unfolding (see fig. 5, item 3).



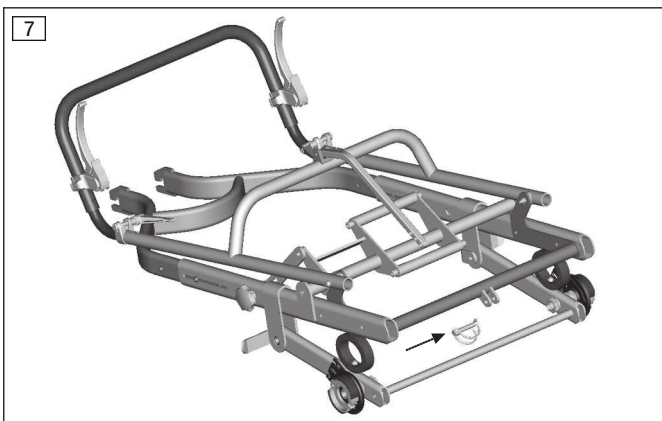
INFORMATION

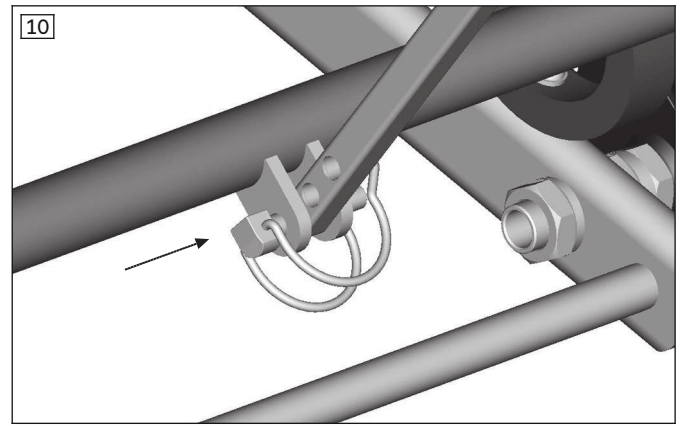
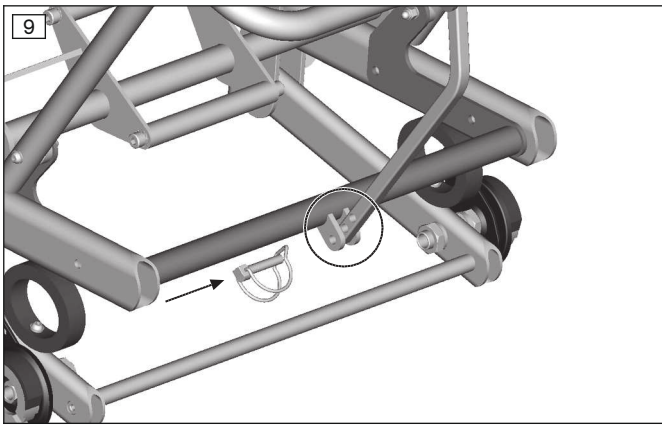
Putting on the seat is described in the seating unit instructions for use (user).

6.1.2 Kimba Cross

Unfolding the rehab buggy

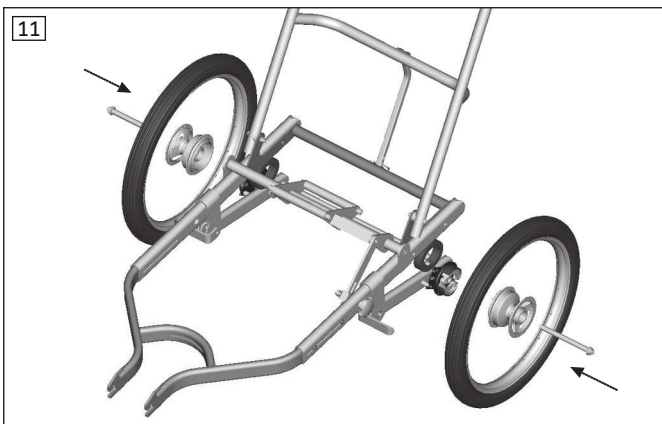
- 1) Remove the transport locks and packaging material.
- 2) Remove the locking pin from the frame lug (see fig. 7).
- 3) Fold up the push bar and guide the back brace into the adapter (see fig. 8).
- 4) Adjust the desired angle of the push bar using the hole in the back brace (see fig. 9).
- 5) Insert the locking pin through the hole in the back brace and through the lug of the adapter.
- 6) Secure with the clip (see fig. 10).





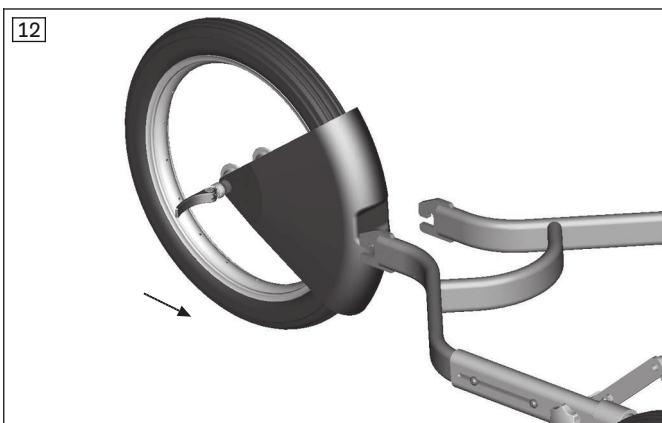
Installing the rear wheels

► Press the quick-release axle and the wheel together into the axle retainer (see fig. 11).



Installing the front wheel

- 1) Insert the front wheel with the splash guard into the fork and push it all the way to the rear and up (see fig. 12).
- 2) Close the eccentric lever of the quick-release axle. **Optional:** Adjust the clamping pressure by turning the quick-release lever or the counter nut.



6.1.2.1 Equipment package

The equipment package includes:

- Roll bar
- Pennant
- Lighting (taillight red; rear reflector red)
- Reflectors, self-adhesive, white
- Spoke reflectors

Some parts of the equipment package are installed at the factory. The following components are included and have to be installed by qualified personnel:

Roll bar

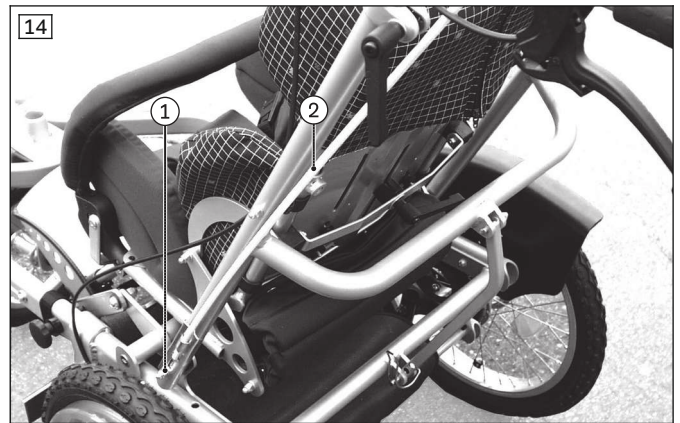
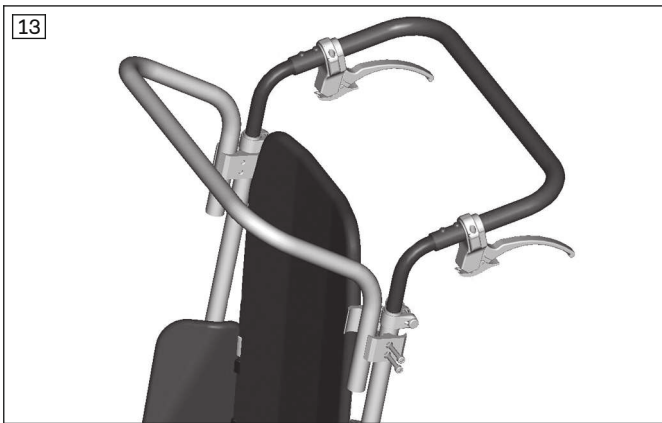
- 1) Mount the roll bar on the push bar (see fig. 13).
- 2) Insert and tighten the Allen head screws (see fig. 13).

Pennant

- 1) Loosen the left cap nut of the push bar mounting (see fig. 14, item 1).
- 2) Insert the fork of the fibreglass rod behind the spacer washer (see fig. 14, item 2).
- 3) Tighten the left cap nut of the push bar mounting (see fig. 14, item 1).

Lighting (taillight red, rear reflector red)

- 1) Mount the battery-operated taillight on the rear cross tube according to the manufacturer's instructions.
- 2) Mount the rear reflector on the rear cross tube using the pipe clamps.



6.1.3 Kimba Inline

Unfolding the rehab buggy

- 1) Fold the push bar forward (see fig. 106).
- 2) Pull up the lock slide and allow it to engage on the frame (see fig. 105).

6.2 Retrofitting the respirator platform (Kimba Neo only)

⚠ WARNING

Improper use in vehicles for transporting persons with reduced mobility

Severe accidental injuries caused by use with untested product combinations

- ▶ Use of the product in vehicles for transporting persons with reduced mobility in combination with the artificial respiration platform option is **not** permitted.

INFORMATION

The respirator platform cannot be installed on a product with fixed front wheels.

The respirator platform can be installed as follows:

- Installation of the large T1 respirator platform over the front wheels (see fig. 15) – the user sits in the seat facing away from the direction of travel
- Installation of the large T1 respirator platform over the rear wheels (see fig. 16) – the user sits in the seat facing in the direction of travel

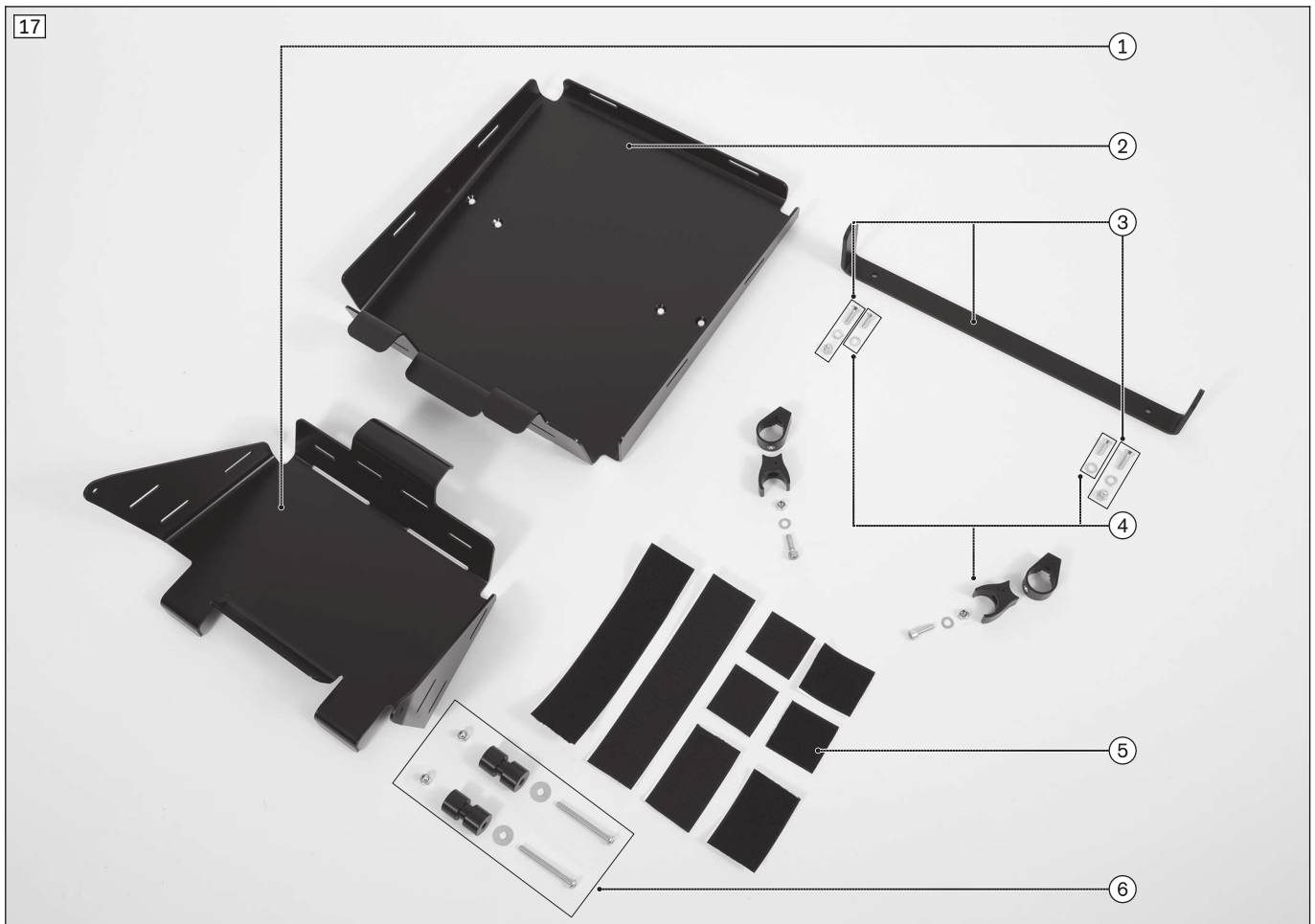
The respirator is attached to the respirator platform using straps through the slots.

Using an anti-slip mat is recommended.

The seating unit can only be turned around if the respirator platform is moved.



Respirator platform mounting kit overview



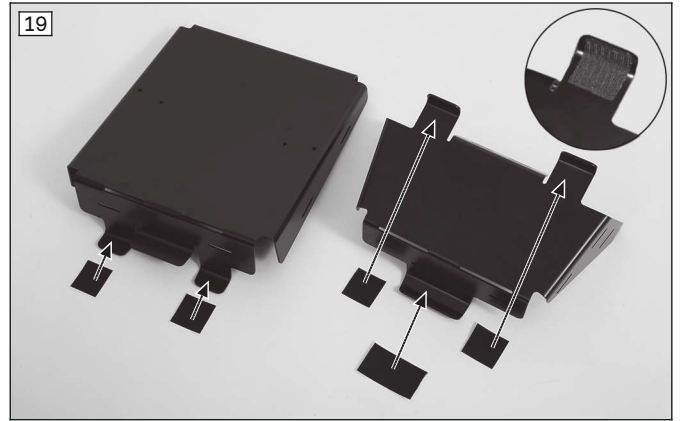
1	T2 respirator platform	4	Bottom supports (with mounting materials)
2	T1 respirator platform	5	Hook-and-loop straps
3	Retaining bracket with mounting materials	6	Side supports (with mounting materials)

6.2.1 Installation with a seat facing opposite to direction of travel

Installing the T2 respirator platform

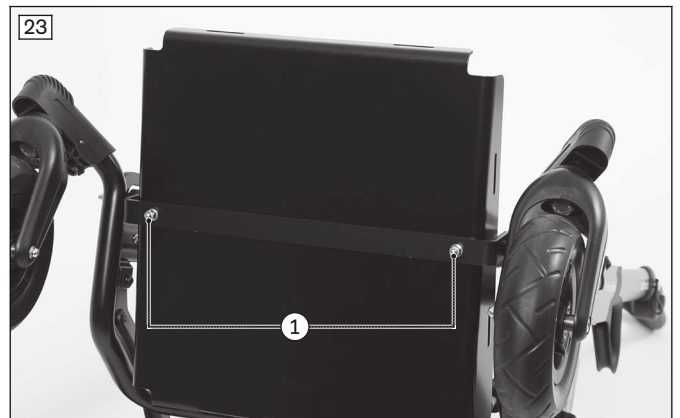
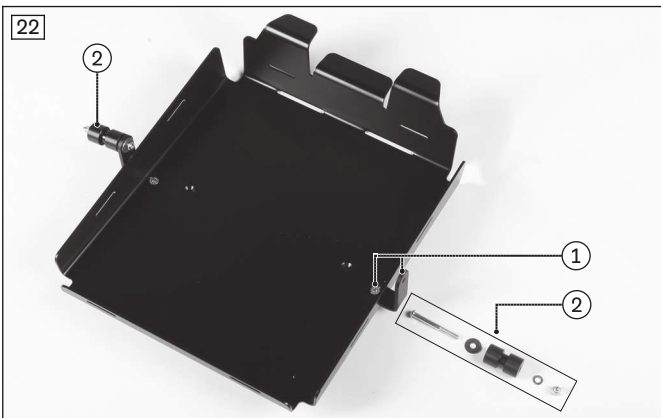
- 1) Glue the loop strap onto the centre of the front frame tube (see fig. 18).
INFORMATION: Trim the length to approx. 210 mm for size 1 and approx. 290 mm for size 2.
- 2) As shown in the image, glue the hook strap onto the angle tabs of the T2 respirator platform (see fig. 19).
- 3) Set the T2 respirator platform onto the front frame tube and axle tube (see fig. 20).

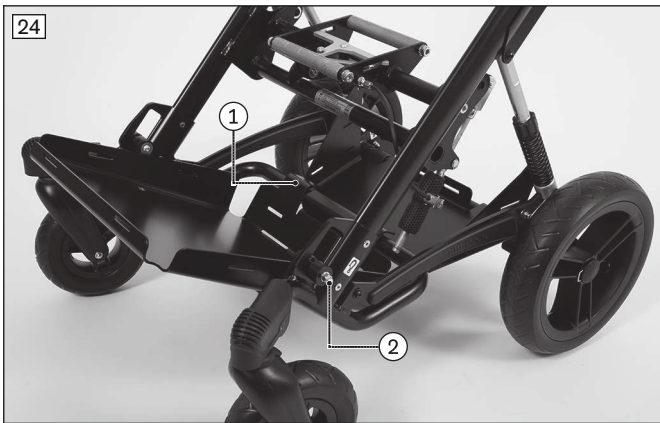
- 4) Lift up the T2 respirator platform on the axle tube. Under the angle tabs, glue 2x loop strap in the size 50 x 50 mm onto the axle tube (see fig. 21).
- 5) Press the T2 respirator platform into place.
→ The T2 respirator platform is installed (see fig. 20).



Installing the T1 respirator platform

- 1) As shown in the image, glue the hook strap onto the angle tabs of the T1 respirator platform (see fig. 19).
- 2) Screw the retaining bracket onto the T1 respirator platform (see fig. 22, item 1; see fig. 23, item 1).
- 3) Screw the supports onto the retaining bracket (see fig. 22, item 2).
INFORMATION: Only installing one support on the retaining bracket initially is recommended. The second support is installed on the retaining bracket when the T1 respirator platform is mounted on the front frame.
- 4) Set the T1 respirator platform onto the front frame tube (see fig. 24, item 1).
- 5) Engage the supports of the T1 respirator platform in the lashing points and install (see fig. 25; see fig. 24 item 2).
→ The T1 respirator platform is installed (see fig. 24).

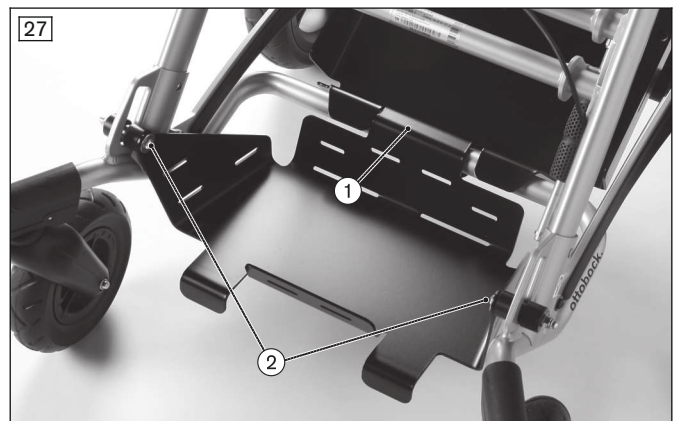
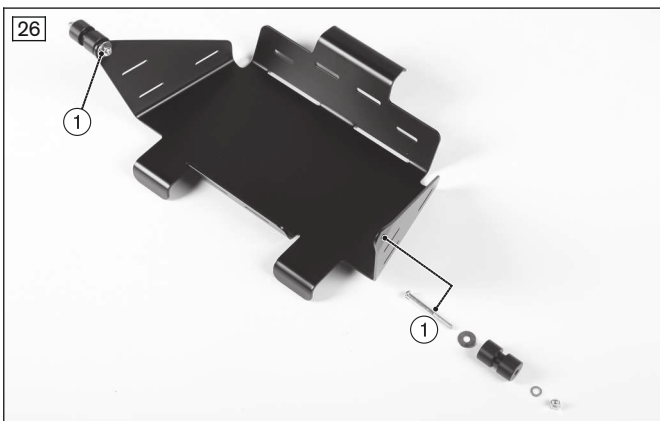




6.2.2 Installation with a seat facing in the direction of travel

Installing the T2 respirator platform

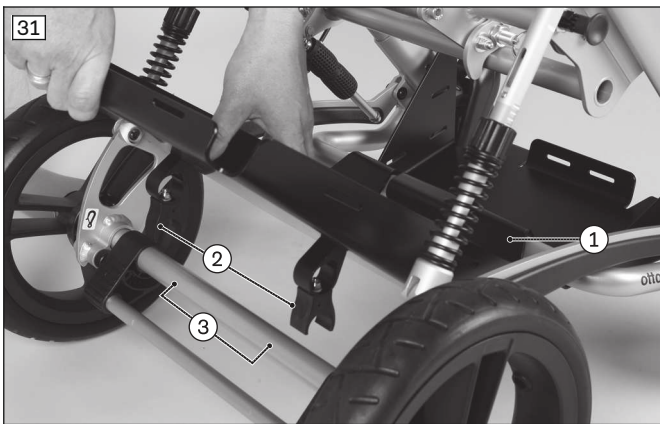
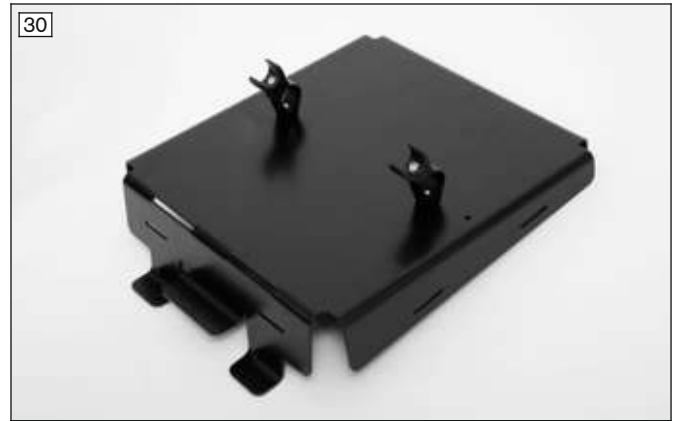
- 1) Glue the loop strap onto the front frame tube (see fig. 18).
INFORMATION: Trim the length to approx. 210 mm for size 1 and approx. 290 mm for size 2.
- 2) As shown in the image, glue the hook strap onto the angle tabs of the T2 respirator platform (see fig. 19).
- 3) Screw the supports onto the T2 respirator platform (see fig. 26, item 1).
INFORMATION: Only installing one support on the retaining bracket initially is recommended. The second support is installed on the retaining bracket when the T2 respirator platform is mounted on the front frame.
- 4) Set the T2 respirator platform onto the front frame tube (see fig. 27, item 1).
- 5) Engage the supports of the respirator platform in the lashing points and install (see fig. 28; see fig. 27 item 2).
 → The T2 respirator platform is installed (see fig. 27).



Installing the T1 respirator platform

- 1) As shown in the image, glue the hook strap onto the angle tabs of the T1 respirator platform (see fig. 19).
- 2) Screw the supports in place under the T1 respirator platform (see fig. 29, see fig. 30).

- 3) Set the T1 respirator platform onto the front frame tube (see fig. 31, item 1).
- 4) Carefully press the clamp fittings of the supports onto the axle tube until they engage (see fig. 31, item 2/3).
→ The T1 respirator platform is installed (see fig. 32).



7 Delivery

7.1 Transport to the customer

NOTICE

Use of unsuitable packaging

Damage to the product caused by transportation using incorrect packaging

- ▶ Use only the original packaging for delivery of the product.

7.2 Handing over the product

⚠ WARNING

Lack of instruction

Tipping over, falling of the user due to lack of knowledge

- ▶ Instruct the user or the attendant in the proper use of the product when handing it over.

The following steps must be performed for the safe delivery of the product:

- A sitting test has to be conducted with the user of the product. Pay special attention to proper positioning according to medical considerations.
- The user and any attendants must be instructed in the safe use of the product. In particular, the enclosed instructions for use are to be used.
- The instructions for use must be given to the user/attendant upon delivery of the wheelchair.
- **Depending on equipment:** The supplied instructions for use for accessories have to be handed over in addition.

8 Use

8.1 Instructions for use

- Attaching loads (e.g. backpacks) can adversely affect stability. Therefore, suspending additional loads on the product is not permitted.
- The products in this series generally meet the minimum technical requirements for wheelchairs transportable by train. However, please note that it is possible that not every individual product will fulfil the minimum requirements due to the variation in designs (see Page 57).

8.2 Kimba Neo

8.2.1 Seating unit

CAUTION

Use of alternative seating systems

Serious injuries to the user due to faulty operation

- ▶ The product can be equipped with the Kimba Neo seating unit or alternative seating systems. Observe the information in the separate instructions for use for the seating unit/seating system in all cases.

8.2.1.1 Kimba Neo seating unit

Adjusting the tilt-limiting mechanism after rotating the seat

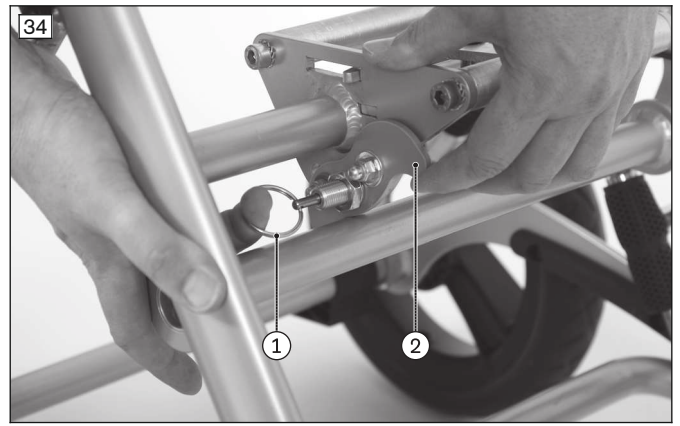
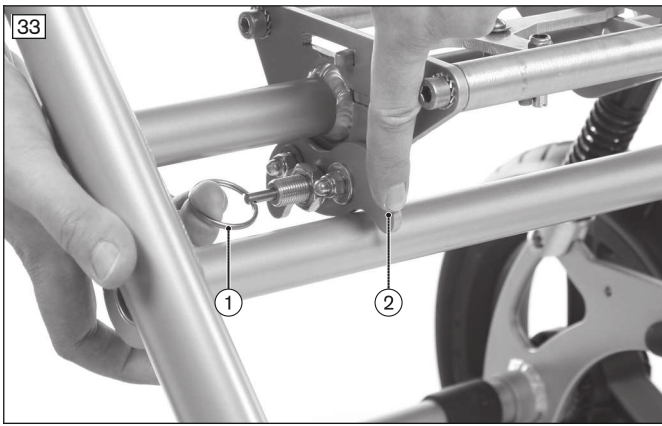
The seat adapter is equipped with a tilt-limiter as standard equipment (see fig. 33). This feature ensures that the seat angle of the seating unit cannot be adjusted forward or backward beyond the permissible limits.

The tilt-limiter **must be adjusted as follows every time the seating unit is rotated**:

- 1) Operate the seat angle adjustment (see fig. 35) and move the seating unit forward to the stop.
 - The seat bottom is now tilted forward approx. 10°.
- 2) Remove the seating unit (see seating unit instructions for use: reference number 647H893).
 - The seat adapter is now freely accessible.
- 3) Pull the key ring (see fig. 33/see fig. 34, item 1) to release the locking pin.
- 4) Move the limit hook (see fig. 33/see fig. 34, item 2) to the desired position according to the installation direction of the seating unit:
 - Limit hook down (see fig. 33): mount seat facing forward.
 - Limit hook up (see fig. 34): mount seat facing backward.
- 5) Make sure that the locking pin clicks fully/audibly into place after adjustment.
- 6) Put on the seating unit (see seating unit instructions for use: reference number 647H893).
- 7) Check that the tilt-limiter is functioning:
 - In order to do so, activate the seat angle adjustment (see fig. 35 for seat angle adjustment on the mobility base: see next section) and move the seating unit forward/back.
 - The adjustment range of the seating unit must not exceed approx. 10° to the front and 40° to the rear. If this is not the case, the limit hook (see fig. 33/see fig. 34, item 2) is not in the correct position and must be adjusted accordingly (see steps 2–6).

INFORMATION

Further settings are described in the seating unit instructions for use.



8.2.1.2 Alternative seating systems without own seat angle adjustment

⚠ CAUTION

Incorrect handling of the seat tilt

Tipping over, falling out of the seating shell / seating system due to errors in handling the product

- ▶ Before operating the seat tilt (seat angle adjustment), practise without the seated user.
- ▶ Check the tip resistance each time after changing the seat tilt, especially in combination with a back support angle setting. To do so, hold the product with both hands by the push handle/push bar.
- ▶ When operating the seat tilt, always secure the user against falling out either forwards or backwards.
- ▶ Only operate the seat tilt on a level, firm surface.
- ▶ Before negotiating slopes or crossing obstacles, the seat tilt must be lowered (horizontal neutral position of the seat). It is advisable to slightly tilt the seat to the rear when driving downhill.
- ▶ Drive only on slopes where the holding forces remain manageable.
- ▶ Do not reach into the adjustment mechanism when using the seat tilt.

With alternative seating systems that do not have a seat angle adjustment feature, the seat angle can be adjusted using a rotary knob on the Kimba Neo outdoor mobility base. The alternative seating system can be adjusted as needed within the range from **-10° to +40**

- 1) Stand to the left of the rehab buggy and hold on to the back support for safety reasons (see fig. 36, item 1).
- 2) Twist the knob on the upper front part of the frame in the direction indicated by the arrow to release the adjustment mechanism (see fig. 36, item 2).

NOTICE! Damage to the seat adjustment. Turn the knob with normal manual force only to the stop (until you feel a clear resistance). Excessive turning of the knob could damage the adjustment mechanism.

- 3) Set the seat angle to the desired position (see fig. 37).
- 4) Let go of the knob and the adjustment mechanism will lock automatically.
- 5) Press the back support gently to the front/back to make sure that the seat angle is securely set. If this is not the case, the position of the knob must be checked.



8.2.2 Seating shell interface

⚠ CAUTION

Improperly installed seating shell

Falling of the user due to improper assembly and incorrect settings

- ▶ Note that the producer/distributor is responsible for the user's safety in case of using an individual seating shell. In particular, the stability against tipping and the ergonomically correct sitting position of the user must be verified. Ottobock assumes no liability in this regard.
- ▶ Note that the producer / distributor is also responsible for passing on information on adaptation, operation and care of the seating shell in case of using an individual seating shell. If you have questions, contact the qualified personnel that provided the individual seating shell.

INFORMATION

- ▶ Mounting on the outdoor mobility base and the function and operation of the foot support assembly option are described in more detail in the instructions for use for the 647G250=* seating shell interface.
- ▶ Operation when using the outdoor mobility base with a Kimba Neo seating unit is described in more detail in the 647H893=* instructions for use.

The Kimba seating shell interface serves as the basis for individual seating shell fittings (see fig. 38). It is available in various sizes and with the foot support assembly option.

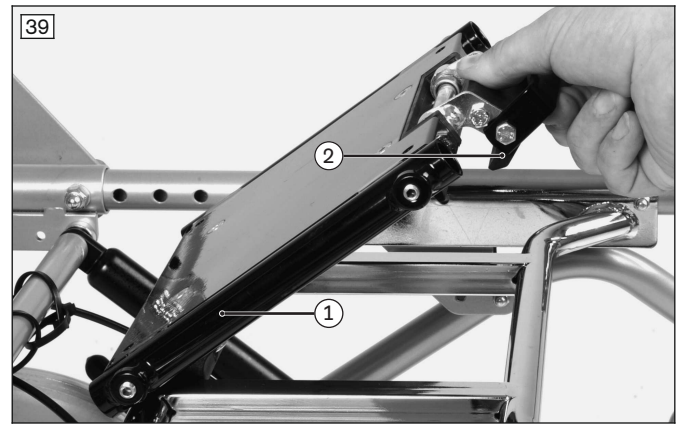
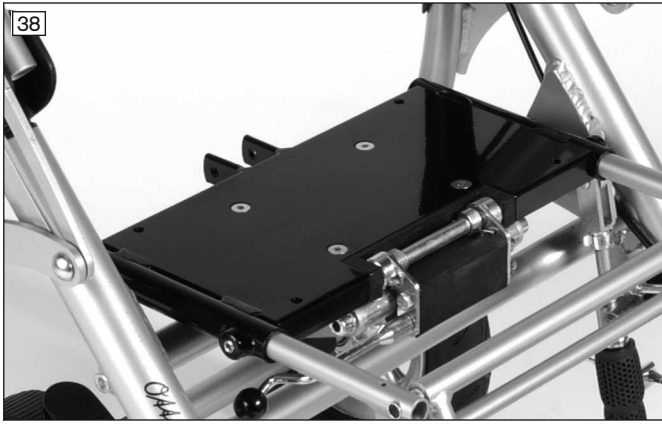
The seating shell interface is firmly screwed to a seating system by qualified personnel. A claw mechanism makes it easy to remove the seating unit/seating shell from the seat adapter on the outdoor mobility base.

Putting on the seating shell/seating unit

- 1) Place the seat with seating shell interface first onto the rear tube of the seat adapter at an angle of approximately 45° (see fig. 39, item 1).
- 2) Press the front edge of the seat onto the mobility base until the retaining claw audibly snaps onto the front tube of the seat adapter (see fig. 39, item 2).
- 3) Check that the seat and the mobility base are securely connected. You can do this, for example, by pulling back the back support of the seat.

Removing the seating shell/seating unit

- 1) Pull the release lever located under the seat up (see fig. 39, item 2). The retaining claw will now release the seat adapter.
- 2) Tip the seat with seating shell interface back at an angle of approx. 45° and then lift it up.



8.2.3 Push bar

⚠ CAUTION

Lifting by removable components

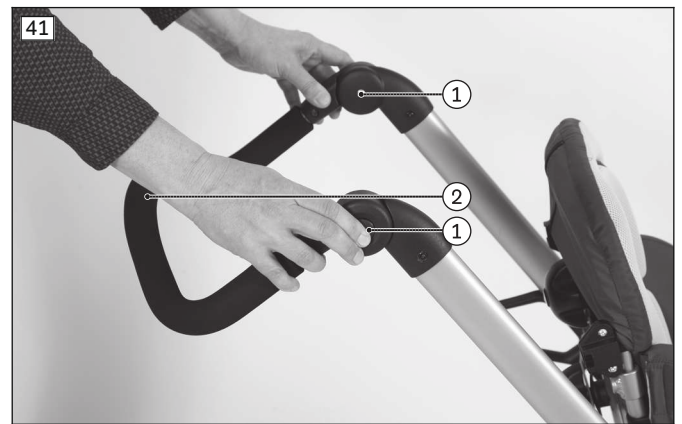
User tipping over, falling due to lifting by removable components

- ▶ The product may be lifted only by firmly welded or permanently attached components. It is particularly dangerous to lift the product by the leg support, push handle/push bar, lap bar or arm supports.

8.2.3.1 Adjusting the push bar

The push bar can be adjusted to the desired height:

- 1) Press both buttons on the setting joints on both sides simultaneously (see fig. 41, item 1).
- 2) Move the push bar to the desired position (see fig. 41, item 2).
- 3) Release the buttons.
- 4) Move the push bar up or down slightly until the joints click audibly into place.



8.2.4 Wheel lock

⚠ CAUTION

Wheel lock not engaged when getting in or out

Falling, tipping over of the user due to user error

- ▶ Before the user gets in or out, always engage and check the wheel lock.
- ▶ Engage the wheel lock to prevent the rehab buggy from moving on uneven ground or during transfers (e.g. into a car).

NOTICE**Incorrect use of the wheel lock**

Damage to wheels, loss of braking function due to incorrect operation

- ▶ Do not use the wheel lock whilst travelling. The product must be standing still before braking.
- ▶ Do not engage the wheel lock forcefully.
- ▶ When you activate the wheel lock and feel clear resistance, you can move the wheels slightly forwards or backwards to change their positions so that the lock pin latches on to the brake ring.

8.2.4.1 Operating the wheel lock

The wheel lock needs to be engaged to take out the child, to remove and mount the seat, for folding and unfolding, and to park the rehab buggy on uneven ground.

- 1) **Engage the wheel lock:** press the wheel lock bar down with the tip of your foot (see fig. 42).
- 2) **Release the wheel lock:** pull the wheel lock bar up with the tip of your foot (see fig. 43).

**8.2.5 Front wheels**

The rehab buggy is equipped with swivelling front wheels to make steering easier. If needed, the caster wheels can be locked with the integrated swivel lock. This function increases directional stability on uneven ground.

Activating the swivel lock

- 1) Pull the caster swivel lock casing into the direction of travel (##01117_D2_56395).
- 2) Push the rehab buggy forward until the caster wheels audibly engage in the caster swivel lock casings.

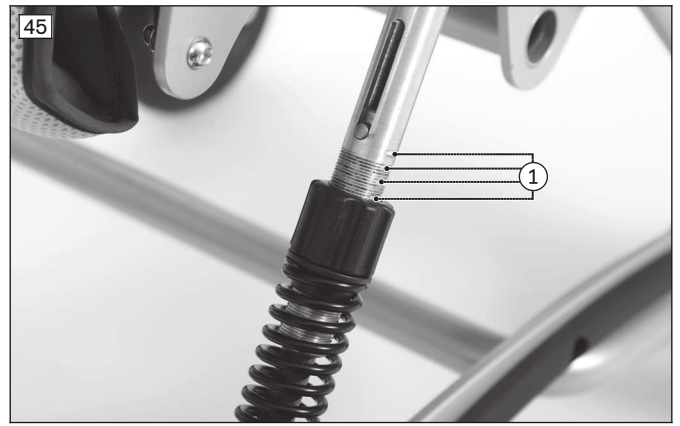
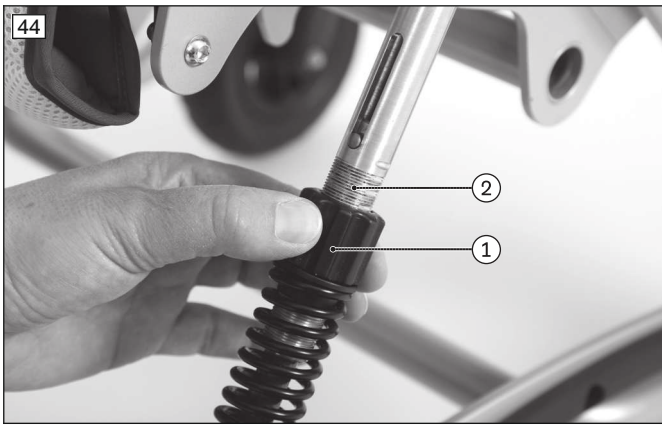
Deactivating the swivel lock

- 1) Push the caster swivel lock casings in the direction of the seat (##01117_D2_56395).
- 2) The caster wheels are unlocked again.

8.2.6 Suspension

The suspension can be adjusted continuously according to the user's weight and the conditions of the road/surface:

- 1) Twist the adjustment rings on both sides of the frame equally (see fig. 44, item 1).
 - Clockwise: the suspension becomes tighter.
 - Counterclockwise: the suspension becomes softer.
- 2) Check that the adjustment rings are positioned the same on both sides. The 4 marks can be used for orientation (see fig. 44, item 2; see fig. 45, item 1).



We recommend the following setting for the spring tension:

User weight	Marking*
up to 10 kg	up to 1st marking from the top
up to 20 kg	up to 2nd marking from the top
up to 30 kg	up to 3rd marking from the top
up to 40 kg	up to 4th marking from the top

* Reference point: upper edge of the plastic adjustment nut

8.2.7 Additional options

8.2.7.1 Tip-assist

The tip-assist (see fig. 46) makes it easier for an attendant to tip up the rehab buggy, e.g. to cross a step or curb.

Tipping the product

- 1) At an obstacle, place one foot on the tip-assist and push down (see fig. 47).
- 2) Slightly tip the rehab buggy by simultaneously pressing down on the push bar.



8.2.7.2 Frame padding

The rehab buggy can be equipped with frame padding that provides additional protection for the user from impact in the area of the folding mechanism (see fig. 108).

Using the frame padding

- 1) Fit the frame padding around the push bar and close the hook-and-loop strap.
- 2) Twist the hook-and-loop strap down and push the frame padding over the folding mechanism all the way to the release handles. **INFORMATION: Before folding up the outdoor mobility base, remove the frame padding, so that the folding mechanism is clear.**

8.2.7.3 Storage bag

NOTICE

Overloading

Damage due to failure to observe specifications

- ▶ Observe the maximum load of the storage bag (see Page 56).
- ▶ Please note that the maximum load of the overall product must not be exceeded even after loading the storage bag.

NOTICE

Incorrect attachment

Damage to product due to incorrect installation

- ▶ During the attachment, make sure that the product cannot grind against the wheels.

The rehab buggy can be equipped with a storage bag.

The storage bag is fastened to the frame via snaps and hook-and-loop fasteners (see fig. 48, item 1; see fig. 49, item 1).

The storage bag can be removed for cleaning.



8.2.7.4 Buggy board

CAUTION

Improper use of the buggy board

Falling, tipping, injuries due to user error

- ▶ Do not exceed the max. load of the buggy board. This is **20 kg**.
- ▶ Do not use the buggy board as a scooter.

NOTICE

Damage during folding

Damage to the product due to user error

- ▶ Do not fold the rehab buggy up when the buggy board is installed.

INFORMATION

All information regarding the attachment, adjustment and use of the buggy board are contained in the manufacturer's instructions for use enclosed with the product.

The buggy board (see fig. 50) allows children to ride safely while standing on their own feet and offers sufficient standing room.

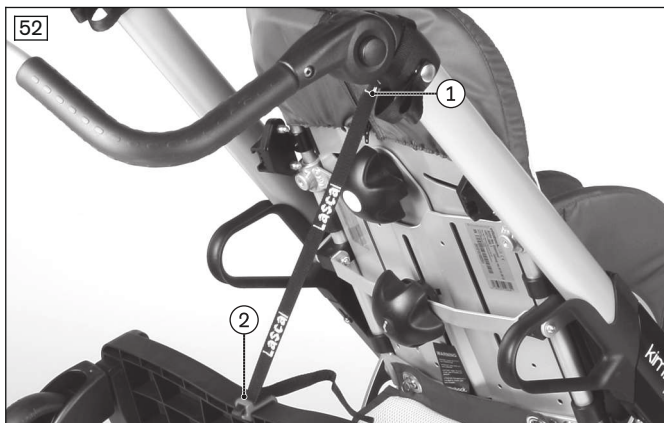
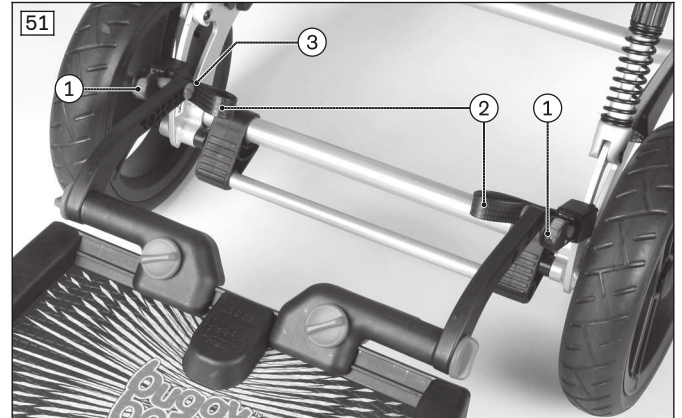
All information about the use, attachment and adjustment of the buggy board is contained in the manufacturer's instructions for use enclosed with the product.

Installation tips

- The couplings with the plastic straps face to the rear and are tightened securely to the rear lashing points (see fig. 51, item 1).
- The plastic straps face inwards (see fig. 51, item 2).
- The securing pins face from the inside to the outside (see fig. 51, item 3).
- The securing strap can be fastened above the folding lock to the ratchet joint (see fig. 52, item 1).

Note on use

- The folded-up buggy board must be secured with the securing strap supplied by the manufacturer (see fig. 52, item 2).



8.2.7.5 Platform for respirator

⚠ WARNING

Prohibited use in vehicles for transporting persons with reduced mobility

Serious injuries resulting from accidents

- ▶ The option is not suitable for use in vehicles for transporting persons with reduced mobility. It must be removed and stored safely prior to transport.

NOTICE

Overloading

Damage due to failure to observe specifications

- ▶ Please note that the maximum load of the overall product must not be exceeded even after loading the respirator platform (see Page 56).

The respirator platform is for attaching respiration equipment. This is secured with straps using the slots on the respirator platform.

The option has been installed in the following way, depending on the order:

- Installation of the large T1 respirator platform over the front wheels (see fig. 53) – the user sits in the seat facing away from the direction of travel
- Installation of the large T1 respirator platform over the rear wheels (see fig. 54) – the user sits in the seat facing in the direction of travel

The seating unit can only be turned around if the respirator platform is moved.

INFORMATION: in this case, contact the qualified personnel who adjusted your product.



8.2.7.6 Cup holder

The cup holder (see fig. 55) is for holding a drinking bottle within reach of the user or the attendant. It can be placed as required on the push bar, on the folding tube or on the grab rail.

Installing the cup holder

- 1) **Only when the tube is vertical:** secure the self-adhesive hook-and-loop straps in the desired position and at the correct distance apart. These secure the cup holder when the bottle is full.
- 2) Secure the cup holder with the hook-and-loop straps in the desired position.



8.2.8 Disassembly and transport

⚠ CAUTION

Exposed pinch points

Crushing, pinching due to incorrect handling

- ▶ When folding out the backrest, only grip by the specified components.

NOTICE

Deformation while folded

Damage to the product, problems with unfolding due to improper loading

- ▶ Never place heavy objects onto the folded product.
- ▶ Make sure that objects placed in the storage bag cannot be crushed while folding.

INFORMATION

The product can be equipped with the Kimba Neo seating unit or alternative seating systems. In this case, please observe the information in the separate instructions for use for the seating system.

The rehab buggy must be prepared for transport in a passenger vehicle:

- 1) Pull the release handle of the folding mechanism up (see fig. 57).
- 2) Bring the push bars together over the seat, thereby folding the rehab buggy (see fig. 58).
- 3) If necessary, fold in the handle of the push bar to save space (Adjusting the push bar).
- 4) If necessary, push down the locking mechanism on the rear wheels and pull the wheels away to the outside (see fig. 4, item 1).
- 5) Place the rehab buggy into the boot and secure it against sliding using transport security devices.



8.2.9 Use in vehicles for transporting persons with reduced mobility

⚠ WARNING

Use as a seat in vehicles for transporting persons with reduced mobility

Serious injuries in case of accidents due to user error

- ▶ Always use the seats and restraint systems in the vehicle for transporting persons with reduced mobility first. This is the only way to ensure optimum protection of passengers in the event of an accident.
- ▶ The product was tested for use in a vehicle for transporting persons with reduced mobility in combination with a Kimba Neo seating unit.
- ▶ If the product is to be used as a seat in a vehicle for transporting persons with reduced mobility, the safety elements offered by the manufacturer and appropriate fastening and personal restraint systems must be used. For more information, please refer to our brochure with the order number 646D158.
- ▶ The positioning belts and positioning aids offered by the manufacturer provide only additional stability for the person sitting in the product.
- ▶ Use of the product in combination with the artificial respiration platform option is **not** permitted.
- ▶ The buggy board has to be removed before using the product in a vehicle for transporting persons with reduced mobility.

⚠ WARNING**Incorrect transport weight during use in vehicles for transporting persons with reduced mobility**

Serious injuries in case of accidents due to exceeding the allowable load

- ▶ During use in a vehicle for transporting persons with reduced mobility, the maximum user weight in the product in combination with a Kimba Neo seating unit is limited to **40 kg**.
- ▶ The storage bag must be emptied prior to use in a vehicle for transporting persons with reduced mobility.
- ▶ The contents of the cup holder (option) have to be removed and securely stowed for use in a vehicle for transporting persons with reduced mobility.

⚠ WARNING**Prohibited transportation of the passenger with activated back angle adjustment**

Loss of safe restraint in the product due to user error

- ▶ Ensure that the passenger is sitting in a nearly upright position during transportation.
- ▶ If the back support angle is adjustable, bring the back support close to the upright position before transportation.
- ▶ Check the locking mechanism.

INFORMATION

For transporting children weighing up to **36 kg**, Ottobock strongly recommends using a child restraint system (child car seat) tested in accordance with ECE R44/04 or higher, or a restraint system developed specially for children with disabilities and which conforms to ECE R44/04. Always observe the regulations for your country or state.

The product has been tested by the manufacturer according to ISO 7176-19 and may be used as a seat in vehicles for transporting persons with reduced mobility subject to the conditions defined below.

The product must be sufficiently secured during transport in vehicles for transporting persons with reduced mobility. The illustrations that follow show an example for anchoring in a motor vehicle.

The manufacturer is not responsible for the fastening systems that are used. Ensure that only fastening systems that meet the applicable legal requirements and are designed for the overall weight of the product including the user are used.

8.2.9.1 Required accessories

To secure the Kimba Neo outdoor mobility base for use in a vehicle for transporting persons with reduced mobility, four vehicle side restraint belts are attached to the lashing points.

- The lashing points are integrated in the base frame:
 - Lashing points, front: see fig. 60, item 1
 - Lashing points, rear: see fig. 61, item 1



8.2.9.2 Using the product in a vehicle

⚠ WARNING

Positioning in vehicles for transporting persons with reduced mobility

Serious injuries in case of accidents due to user error

- ▶ Positioning of the product in vehicles for transporting persons with reduced mobility may only be performed by the qualified personnel.
- ▶ The outdoor mobility base and the seating unit together must always face forwards when the product is used as a seat in a vehicle for transporting persons with reduced mobility.
- ▶ Instruct the qualified personnel regarding the mounting points on your product described below.

⚠ WARNING

Inadequate transportation safety

Loss of safe restraint due to failure to observe transportation instructions

- ▶ Observe the following instructions for correct transport safety in the vehicle for transporting persons with reduced mobility.
- ▶ If necessary, instruct the qualified personnel on the following information.

Further information on using the product Kimba Neo in a vehicle for transporting persons with reduced mobility is found in the sections that follow.

8.2.9.3 Adjusting the seating unit

Before using the product in a vehicle for transporting persons with reduced mobility, the seating unit must be adjusted in the driving direction (so the user faces forward in the direction of travel).

- **Kimba Neo seating unit:** to remove/rotate and mount the seating unit, see the instructions for use (user), reference number 647H892.
- **Alternative seating systems:** to remove/rotate and mount the seating system, see the separate instructions for use of the seating system.

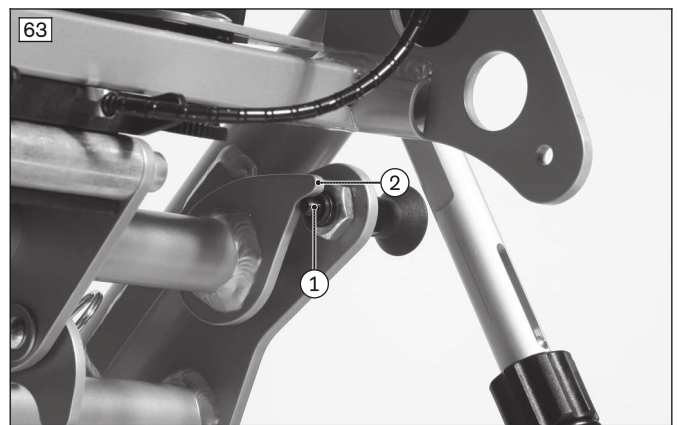
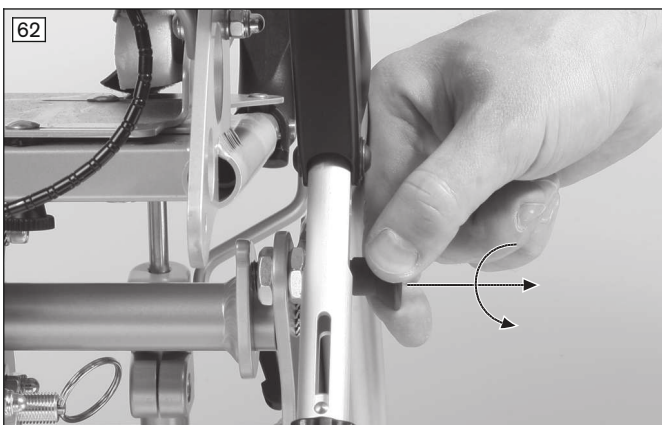
8.2.9.4 Adjusting and securing the seat angle

8.2.9.4.1 Kimba Neo seating unit

Activating the locking mechanism

Before the product can be used in a vehicle for transporting persons with reduced mobility, the seat angle must be adjusted horizontally and secured.

- 1) Turn the top rotary knob to the right and adjust the seat bottom so it is horizontal (see seating unit instructions for use: reference number 647H893).
- 2) Pull the locking pin and allow it to engage in the opening provided in the seat adapter (see fig. 62).
- 3) To check, tilt the seat adapter against the locking pin (see fig. 63, item 1/2).
→ The seat adapter now has to be secured in both directions without play.

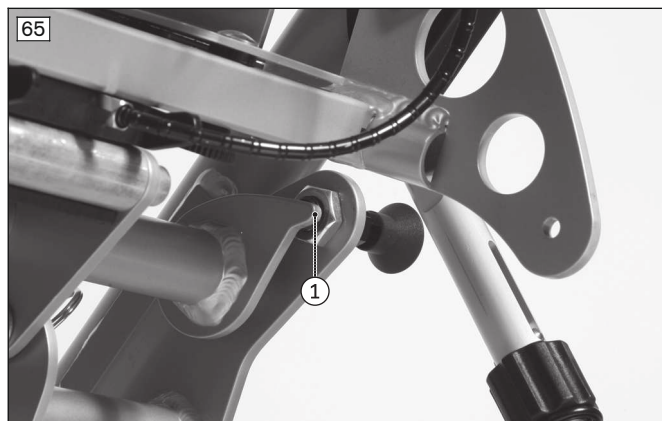
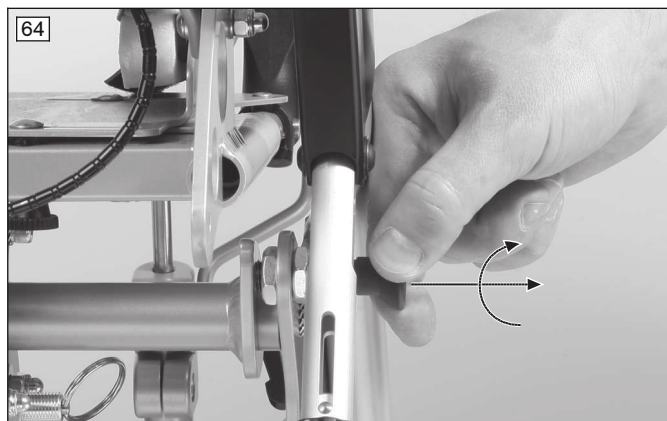


Deactivating the locking mechanism

After use in a vehicle for transporting persons with reduced mobility, the seat angle adjustment must be enabled again.

- 1) Pull out the locking pin and secure it in the disengaged position by turning it (see fig. 64).

- 2) The locking pin is disengaged (see fig. 65, item 1). The seat angle can now once again be adjusted by turning the top rotary knob.



8.2.9.4.2 Alternative seating systems

Note the information in the previous section.

8.2.9.5 Adjusting and securing the back angle

8.2.9.5.1 Kimba Neo seating unit

Before using the product in a vehicle for transporting persons with reduced mobility, the back angle must be locked in the vertical position:

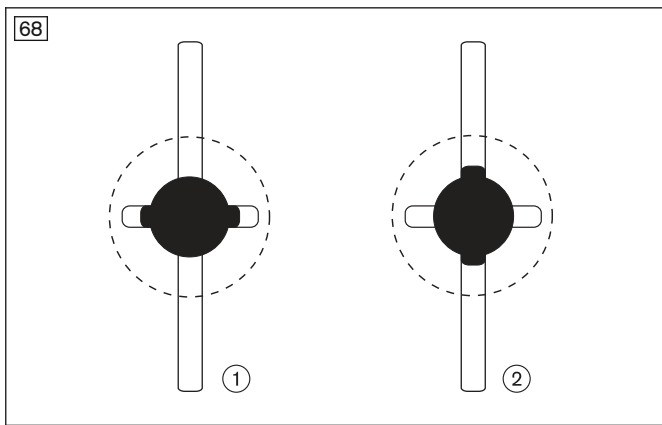
- 1) Turn the bottom rotary knob to the left and adjust the back angle to vertical (see fig. 66; Adjusting the backrest angle).
- 2) Turn the bottom rotary knob approx. **5 mm** further to the left in order to activate the back securing bolt.
- 3) Pull out the back securing bolt and turn it 90° (see fig. 67). The protruding locking aids on the back securing bolt (see fig. 67, item 1) have to engage in the horizontal slotted holes (see fig. 68, item 1).
- 4) Turn the bottom rotary knob to the right to secure the back angle.

Deactivating the locking mechanism

After use in a vehicle for transporting persons with reduced mobility, the back securing bolt must be deactivated.

- 1) Turn the bottom rotary knob to the left until the back securing bolt is released.
- 2) Pull out the back securing bolt and turn it 90° (see fig. 67). The protruding locking aids on the back securing bolt must engage in the vertical slotted holes (see fig. 68, item 2).
- 3) Turn the bottom rotary knob to the right to secure the back angle without the back securing bolt (see fig. 66; Adjusting the backrest angle).





8.2.9.5.2 Alternative seating systems

Before using the product in a vehicle for transporting persons with reduced mobility, the back angle must be tilted back gently to an angle of **approx. 95°**.

Note the information in the separate instructions for use provided for the seating system.

8.2.9.6 Securing the product in the vehicle

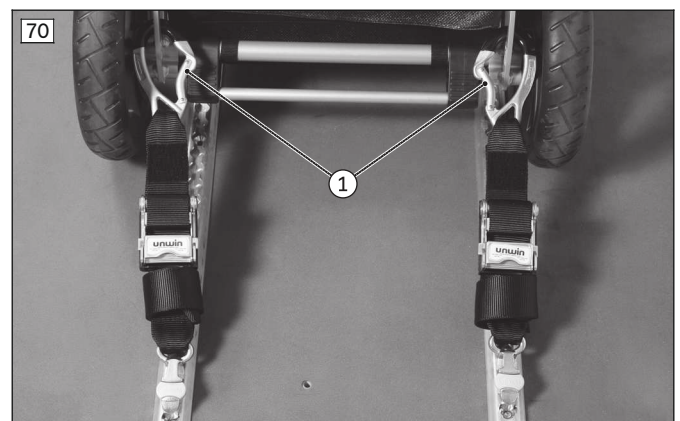
The product is attached to the lashing points (fixation points) using four vehicle side restraint belts.

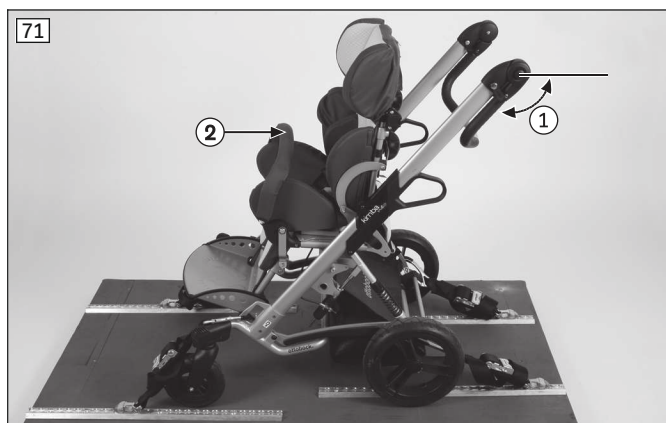
The fixation points are marked with stickers (see Page 15). The stickers show where the vehicle side restraint belts have to be engaged.

Securing the product in the vehicle for transporting persons with reduced mobility

For transportation in a vehicle for transporting persons with reduced mobility, the rehab buggy must be secured with vehicle side restraint belts as follows:

- 1) In the direction of travel, slide the product approximately in the middle between or over the perforated rails anchored on the bottom of the vehicle and secure it with the wheel lock.
- 2) Check that the belt system in the vehicle matches the eyebolts installed on the product.
- 3) Attach the restraint belts mounted on the bottom of the vehicle to the lashing points on the product (see fig. 60; front: item 1, rear: item 2):
 - **Front:** engage the hooks in the lashing points from the inside to the outside (see fig. 69, item 1).
 - **Rear:** engage the hooks in the lashing points from the inside or the outside (see fig. 70, item 1).
- 4) Firmly tighten the vehicle side restraint belts in accordance with the manufacturer's specifications. The maximum angle of the front restraint belts is **45°** (see fig. 71).
- 5) Fold the push handle down to provide additional stability for the seating system (see fig. 71, item 1).
- 6) Remove the grab rail from the seating unit and stow it. For the procedure, see the seating unit instructions for use (see fig. 71, item 2).
- 7) **For "swivelling" front wheel option only:** turn the caster wheels to face forwards for improved stability (see fig. 71).
- 8) Remove all prohibited components from the product (see Page 40).
- 9) Adjust the suspension to "firm" (see Page 29).
 - The restraint belts are correctly attached (see fig. 71).





8.2.9.7 Securing the user in the product

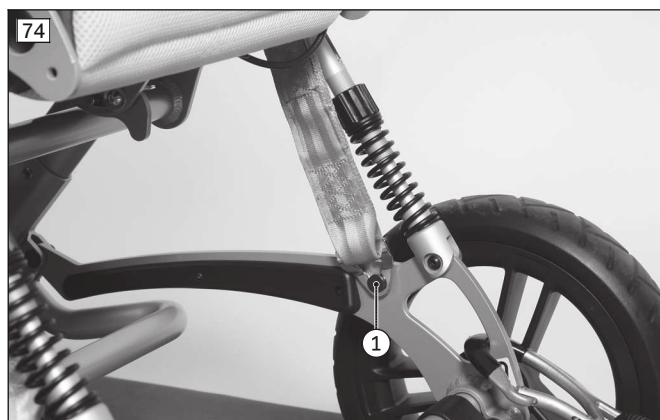
Information on correct transport safety of the user in the vehicle for transporting persons with reduced mobility

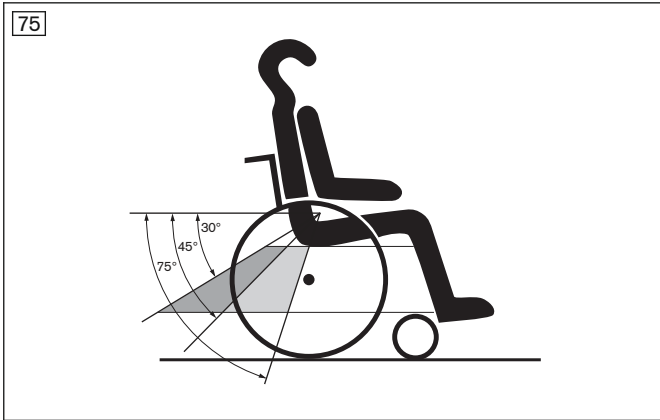
- The straps of the personal restraint system must always be routed close to the user's body. The straps must not be routed over the side panels and wheels.
- The shoulder harness must always be routed over the user's shoulder.
- The belt strap must not be twisted on the user's body.

Placement of the personal restraint system integrated in the vehicle for transporting persons with reduced mobility

For transportation in a vehicle for transporting persons with reduced mobility, the user must be secured in the rehab buggy with positioning belts as follows:

- 1) Place the user in a nearly upright seated position.
- 2) Attach the ends of the restraint lap belt on the respective mounting point/pin on the left and right:
 - Pull one end of the lap belt from each side of the seat through to the bottom (see fig. 72, see fig. 73).
 - Engage the ends of the lap belt on the mounting points/pins provided (see fig. 74, item 1).
 - **INFORMATION: the lap belt must be worn at an angle of 45° to 75° to the horizontal. When this is not possible in exceptional cases, an angle between 30° and 45° to the horizontal can also be chosen (see fig. 75).**
- 3) Secure the shoulder harness on the mounting point/pin provided on the lap belt (see fig. 76).





8.2.9.8 Restrictions for use

⚠ WARNING

Using the product with certain settings and/or installed options

Severe injury in case of accidents due to options coming loose

- ▶ Before using the product in a vehicle for transporting persons with reduced mobility, remove options that need to be taken off for safe transportation in a vehicle for transporting persons with reduced mobility. Note the following information in this regard.
- ▶ Stow all dismantled options securely in the vehicle for transporting persons with reduced mobility.

The following options must be detached from the Kimba Neo outdoor mobility base and from the Kimba Neo seating unit and securely stowed prior to transport in a vehicle for transporting persons with reduced mobility:

- Platform for respirator (outdoor mobility base)
- Buggy board (outdoor mobility base)
- Nappy bag (outdoor mobility base)
- Storage bag (outdoor mobility base)
- Grab rail (seating unit)
- Head support (seating unit)
- Thoracic supports (seating unit)
- Pommel (seating unit)
- Neck support (seating unit)
- Lateral guides (seating unit)
- Arm supports (seating unit)
- Tray (seating unit)
- Canopy; rain canopy (seating unit)
- Rain cover (seating unit)
- Rain cape (seating unit)
- Summer/winter slip sack (seating unit)

Different restrictions apply for the following options:

- Hook-and-loop foot straps (seating unit): the feet are not permitted to be in the straps, or to be secured with them, during transport in a vehicle for transporting persons with reduced mobility.

8.3 Kimba Cross

8.3.1 Seating unit

⚠ CAUTION

Use of alternative seating systems

Serious injuries to the user due to faulty operation

- ▶ The product can be equipped with the Kimba Neo seating unit or alternative seating systems. Observe the information in the separate instructions for use for the seating unit/seating system in all cases.

8.3.2 Seating shell interface

⚠ CAUTION

Improperly installed seating shell

Falling of the user due to improper assembly and incorrect settings

- ▶ Note that the producer/distributor is responsible for the user's safety in case of using an individual seating shell. In particular, the stability against tipping and the ergonomically correct sitting position of the user must be verified. Ottobock assumes no liability in this regard.
- ▶ Note that the producer / distributor is also responsible for passing on information on adaptation, operation and care of the seating shell in case of using an individual seating shell. If you have questions, contact the qualified personnel that provided the individual seating shell.

INFORMATION

- ▶ Mounting on the outdoor mobility base and the function and operation of the foot support assembly option are described in more detail in the instructions for use for the 647G250=* seating shell interface.
- ▶ Operation when using the outdoor mobility base with a Kimba Neo seating unit is described in more detail in the 647H893=* instructions for use.

The Kimba seating shell interface serves as the basis for individual seating shell fittings (see fig. 77). It is available in various sizes and with the foot support assembly option.

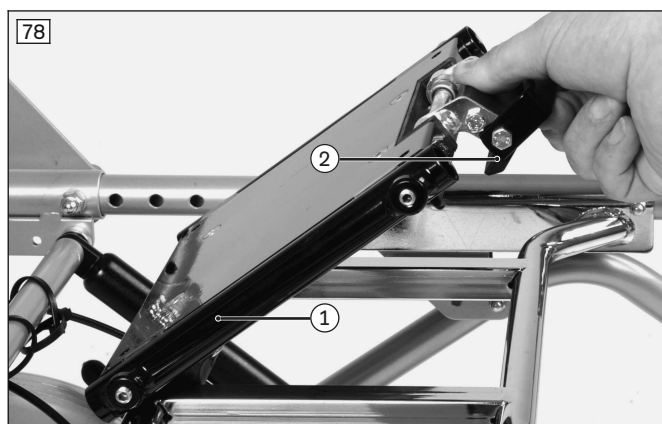
The seating shell interface is firmly screwed to a seating system by qualified personnel. A claw mechanism makes it easy to remove the seating unit/seating shell from the seat adapter on the outdoor mobility base.

Putting on the seating shell/seating unit

- 1) Place the seat with seating shell interface first onto the rear tube of the seat adapter at an angle of approximately 45° (see fig. 78, item 1).
- 2) Press the front edge of the seat onto the mobility base until the retaining claw audibly snaps onto the front tube of the seat adapter (see fig. 78, item 2).
- 3) Check that the seat and the mobility base are securely connected. You can do this, for example, by pulling back the back support of the seat.

Removing the seating shell/seating unit

- 1) Pull the release lever located under the seat up (see fig. 78, item 2). The retaining claw will now release the seat adapter.
- 2) Tip the seat with seating shell interface back at an angle of approx. 45° and then lift it up.



8.3.3 Push bar

⚠ CAUTION

Lifting by removable components

User tipping over, falling due to lifting by removable components

- ▶ The product may be lifted only by firmly welded or permanently attached components. It is particularly dangerous to lift the product by the leg support, push handle/push bar, lap bar or arm supports.

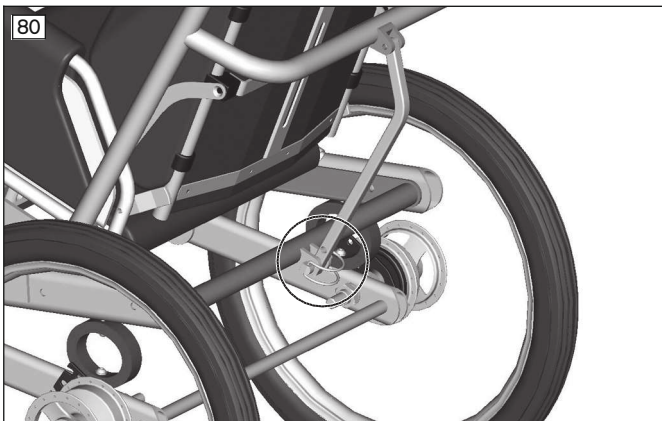
8.3.3.1 Adjusting the push bar height

- 1) Loosen the clamping lever on both sides.
- 2) Adjust the push bar to the desired height.
- 3) Tighten the clamping lever (see fig. 79, item 1).



8.3.3.2 Adjusting the push bar angle

- 1) Flip up the clip of the locking pin and pull out the locking pin.
- 2) Select the desired push bar angle.
- 3) Insert the locking pin through the hole in the back brace and secure it with the clip (see fig. 80)



8.3.4 Wheel lock

⚠ CAUTION

Wheel lock not engaged when getting in or out

Falling, tipping over of the user due to user error

- ▶ Before the user gets in or out, always engage and check the wheel lock.
- ▶ Engage the wheel lock to prevent the rehab buggy from moving on uneven ground or during transfers (e.g. into a car).

NOTICE

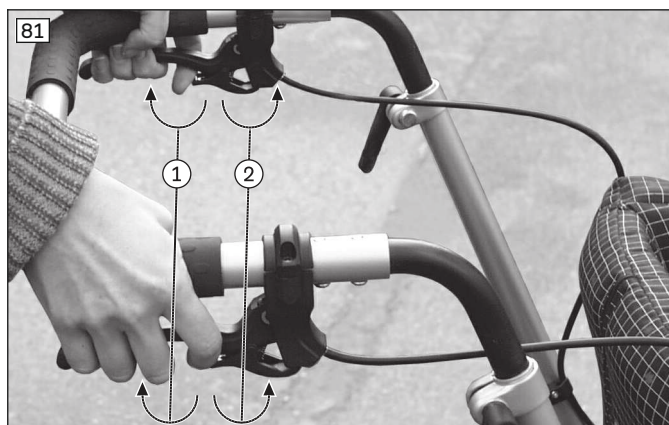
Incorrect wheel lock operation

Damage to the wheels, loss of braking function due to improper operation

- ▶ Do not engage the wheel lock while driving. The product must be at a standstill before applying the wheel lock.
- ▶ Do not engage the wheel lock with force.

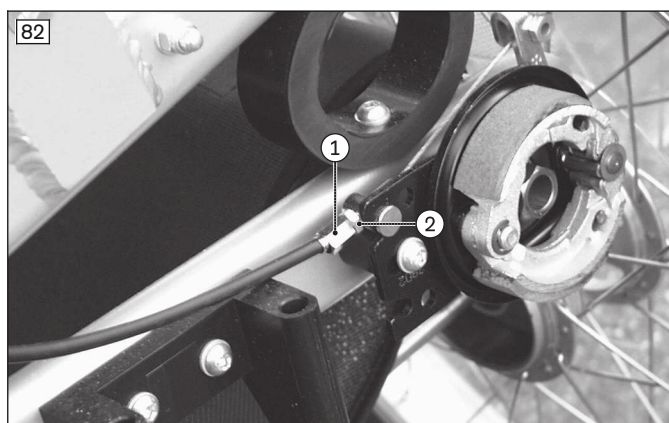
8.3.4.1 Engaging the wheel lock

- 1) Pull the wheel lock levers to apply the drum brakes (see fig. 81, item 1).
- 2) By simultaneously moving the small wheel lock levers down, lock the wheel locks (see fig. 81 item 2).
- 3) Activate the wheel lock levers again to release the wheel locks (see fig. 81 item 1).



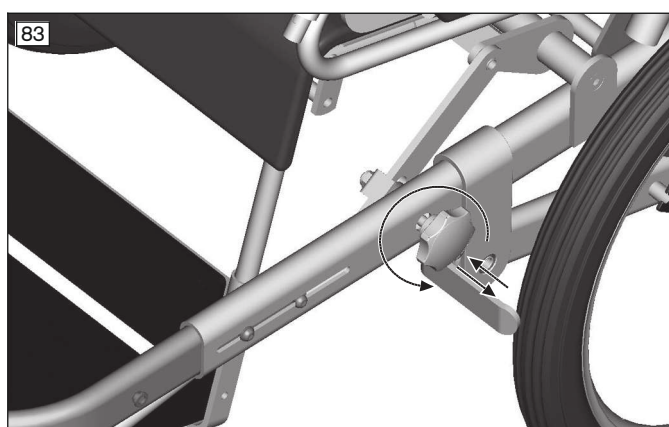
8.3.4.2 Adjusting the wheel lock

- 1) Loosen the counter nut (see fig. 82, item 1)
- 2) Turn the adjustment nut (see fig. 82, item 2)
- 3) Tighten the counter nut (see fig. 82, item 1).



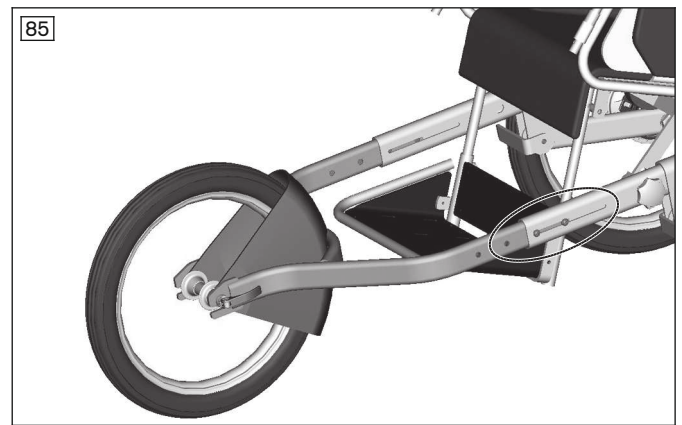
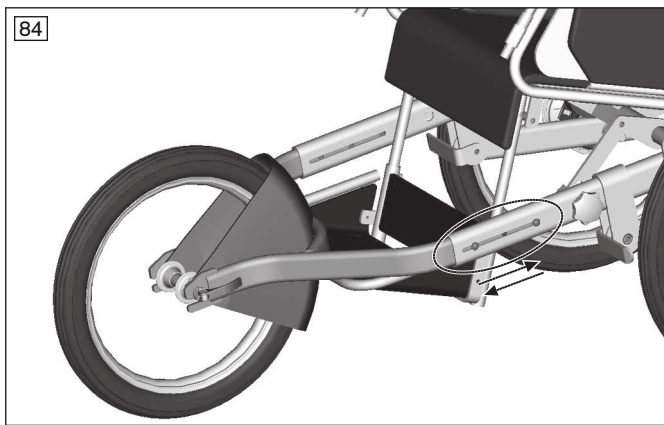
8.3.5 Adjusting the seat angle

- 1) Loosen and open the knob on the left side of the chassis up to the stop (see fig. 83).
- 2) Push down on the spring-loaded knob so that the seat can be moved freely around the axle of the seat adapter.
- 3) Select the desired seat position.
- 4) Release the knob and wiggle the seat back and forth slightly to engage it.
- 5) Tighten the knob (see fig. 83).



8.3.6 Adjusting the wheelbase

- 1) Remove the two Allen screws on both sides of the oval tube front frame.
- 2) Push in or pull out the front frame to adjust it in the range of **800 mm** to **920 mm** (see fig. 84 and see fig. 85).
- 3) Reposition and tighten the two Allen screws of the oval tube front frame on both sides.



8.3.7 Use as a bicycle trailer

⚠ CAUTION

Risky operation

Falling, tipping over backwards and to the side due to approaching obstacles incorrectly

- ▶ Test the driving behaviour of the linked bicycle and bicycle trailer in a safe environment before taking trips.
- ▶ Test the wider wheel track in a safe environment.
- ▶ By looking ahead while riding, avoid driving over larger obstacles quickly with just one rear wheel.
- ▶ Never cross obstacles at an angle. Always approach obstacles head on (at an angle of **90°**).
- ▶ Avoid drifting when driving through curves.

8.3.7.1 Mounting the coupling on the bicycle

The scope of delivery includes:

- Coupling, type E from the Weber company for mounting to the axle of a bicycle
- Two metal locking disks for bicycle hubs with rigid axle (large hole) or with quick-release mechanism (small hole)

- 1) Remove the wheel nut or quick-release mechanism.
- 2) Slide the basis onto the axle (see fig. 86, item 4).
- 3) Insert the locking disk so that the joint piece is horizontal (see fig. 86, item 3 and item 2).

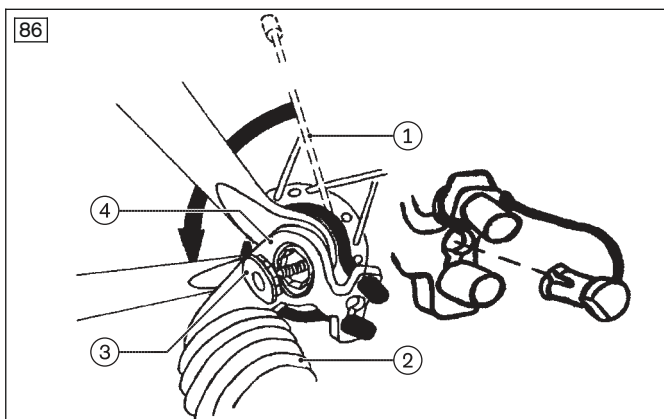
INFORMATION: Make sure that the teeth of the locking disk properly engage with the basis.

- 4) Firmly tighten axle and coupling with the wheel nut or quick-release mechanism.
- 5) Check if the wheel is seated securely.
- 6) Position the safety cable around the wheel axle and engage it (see fig. 86, item 1).
- 7) Insert the rubber stopple.

INFORMATION: First tighten the adjustment nut of the quick-release mechanism until the quick-release clamping lever can be closed firmly.

- 8) Screw the adjustment nut of the quick-release mechanism onto the clamp axle by at least 5 turns.

INFORMATION: Observe the instructions for use of your bicycle and/or quick-release mechanism.



8.3.7.2 Coupling the trailer to the bicycle

The instructions for connecting the trailer to the bicycle are written on a sticker which is attached to each draw-bar. The trailer draw-bar will additionally be secured to the bicycle frame with a safety strap.

8.3.7.3 Equipment package

The equipment package is required for use in road traffic.

The equipment package includes:

- Roll bar
- Pennant
- Lighting (taillight red; rear reflector red)
- Reflectors, self-adhesive, white
- Spoke reflectors

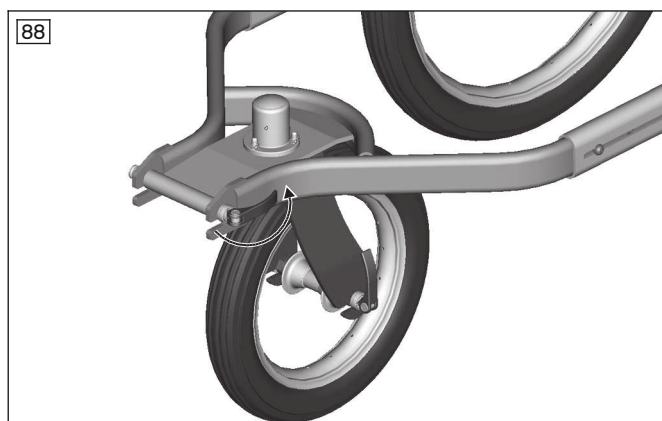
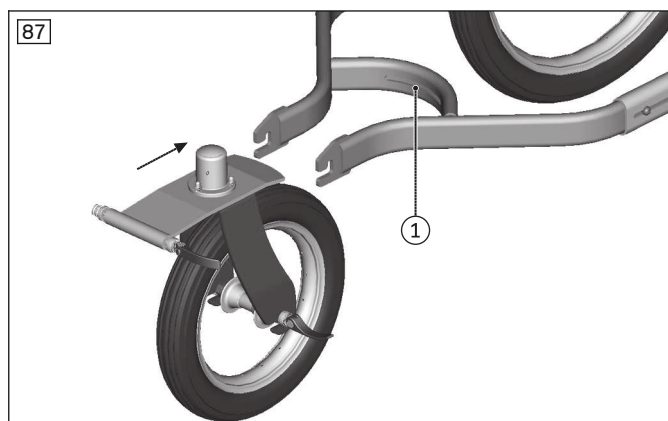
The components of the equipment package are installed at the factory and by qualified personnel.

8.3.8 Additional options

8.3.8.1 Swivelling front wheel

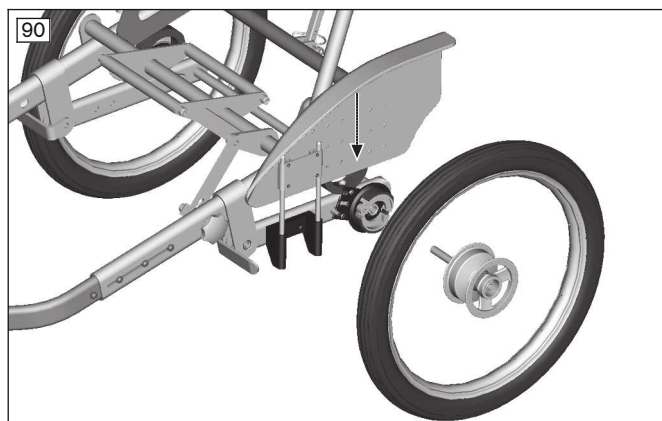
The swivelling front wheel reduces the turning radius of the rehab buggy, making it easier to use in confined spaces.

- 1) Remove the fixed front wheel with the splash guard (see Page , Installing the front wheel).
- 2) Insert the swivelling front wheel into the fork and push it to the rear and up (see fig. 87, item 1).
- 3) Close the eccentric lever of the quick-release axle (see fig. 88).



8.3.8.2 Splash guard for rear wheels/clothing protectors

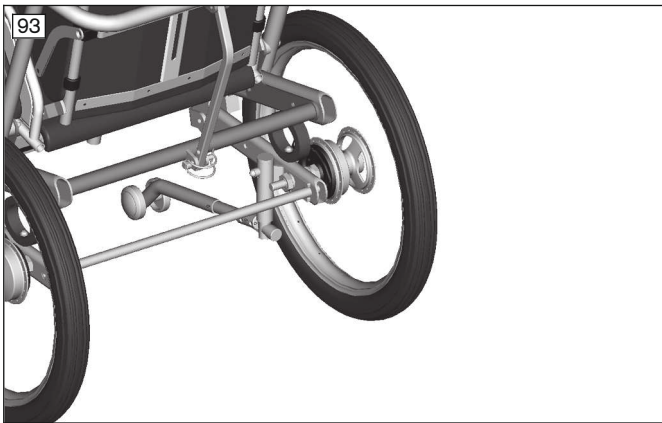
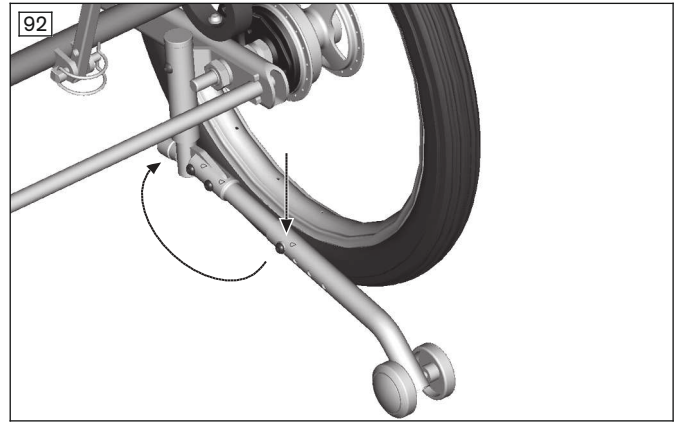
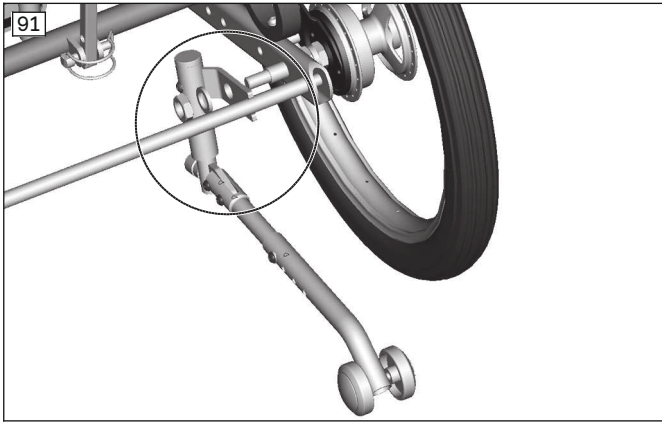
- 1) Press the central bolts of the quick-release axles and remove the rear wheels.
- 2) Insert the splash guard adapter and screw it in place (see fig. 89, item 1).
- 3) Insert the splash guard into the receiving holes (see fig. 90).
- 4) Insert and lock the rear wheels.



8.3.8.3 Anti-tipper

The anti-tipper prevents the mobility base from tipping too far backward.

- 1) Loosen the screw connection of the right rear axle and remove the nut and lock washers.
- 2) Put on the anti-tipper so that the fork of the anti-tipper engages with the crossbrace (see fig. 91).
- 3) Guide the bore hole of the anti-tipper over the rear axle and reinstall the nut with the lock washers.
- 4) Tighten the nut. **Optional:** By pressing down and then turning, swing the anti-tipper from the active to the passive position (see fig. 92 and see fig. 93).



8.3.8.4 Storage bag

- 1) Attach the side of the storage bag with 3 snap fasteners to the lateral frame tube.
- 2) Attach the side with 2 snap fasteners to the right and left of the base frame.

8.3.8.5 Spoke protector

- ▶ Attach the spoke protector to the spokes with mounting elements.

8.3.9 Disassembly and transport

⚠ CAUTION

Exposed pinch points

Crushing, pinching due to incorrect handling

- ▶ When folding out the backrest, only grip by the specified components.

NOTICE

Deformation when folded

Damage to the product, problems unfolding due to unallowable loads

- ▶ Never place heavy objects on the folded product.

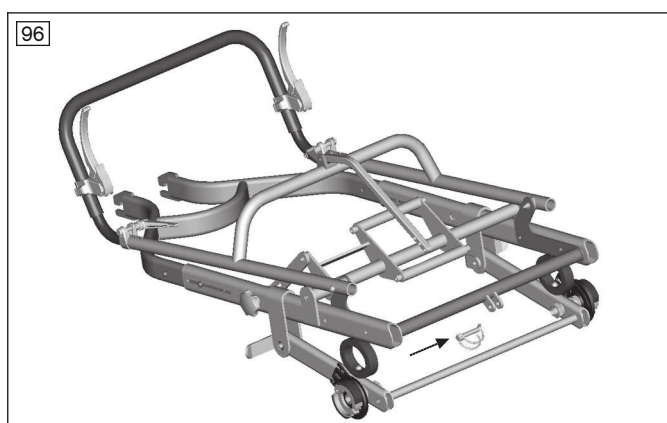
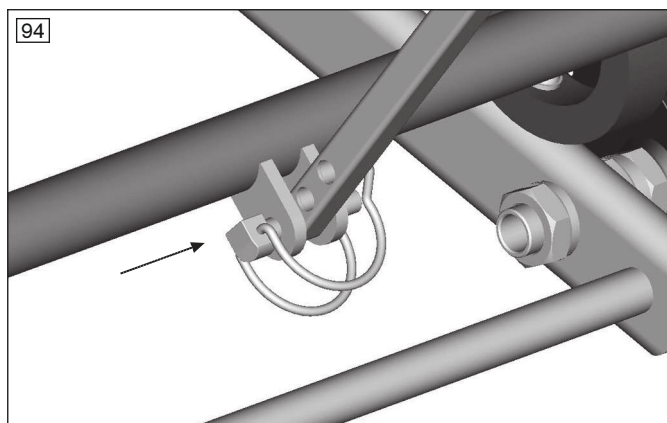
INFORMATION

The product can be equipped with the Kimba Neo seating unit or alternative seating systems. In this case, please observe the information in the separate instructions for use for the seating system.

8.3.9.1 Folding the chassis

- 1) Pull the quick-release axles and the wheels together out of the axle retainer.

- 2) Remove the quick-release axles from the rear wheels.
- 3) Open the eccentric lever of the front wheel.
- 4) Remove the front wheel with the splash guard from the fork.
- 5) Release the clip (see fig. 10).
- 6) Pull the locking pin out of the hole in the back brace and the lugs.
- 7) Slide the back brace out of the adapter and fold down the push bar (see fig. 8).
- 8) Insert the locking pin into the frame lugs (see fig. 7).
- 9) Insert the transport locks.



8.3.10 Use in vehicles for transporting persons with reduced mobility

⚠ WARNING

Improper use in vehicles for transporting persons with reduced mobility

Risk of serious injury when using the product as a seat

- ▶ The product has **not** been approved by the manufacturer for use as a seat in vehicles for transporting persons with reduced mobility.
- ▶ In vehicles for transporting persons with reduced mobility, only use the seats installed in the vehicle with the corresponding personal restraint systems.
- ▶ Information on the current status of our measures is available from the qualified personnel.

The product Kimba Cross has not been approved by the manufacturer for use as a seat in a vehicle for transporting persons with reduced mobility.

8.4 Kimba Inline

8.4.1 Seating unit

⚠ CAUTION

Use of alternative seating systems

Serious injuries to the user due to faulty operation

- ▶ The product can be equipped with the Kimba Neo seating unit or alternative seating systems. Observe the information in the separate instructions for use for the seating unit/seating system in all cases.

8.4.2 Seating shell interface

⚠ CAUTION

Improperly installed seating shell

Falling of the user due to improper assembly and incorrect settings

- ▶ Note that the producer/distributor is responsible for the user's safety in case of using an individual seating shell. In particular, the stability against tipping and the ergonomically correct sitting position of the user must be verified. Ottobock assumes no liability in this regard.
- ▶ Note that the producer / distributor is also responsible for passing on information on adaptation, operation and care of the seating shell in case of using an individual seating shell. If you have questions, contact the qualified personnel that provided the individual seating shell.

INFORMATION

- ▶ Mounting on the outdoor mobility base and the function and operation of the foot support assembly option are described in more detail in the instructions for use for the 647G250=* seating shell interface.
- ▶ Operation when using the outdoor mobility base with a Kimba Neo seating unit is described in more detail in the 647H893=* instructions for use.

The Kimba seating shell interface serves as the basis for individual seating shell fittings (see fig. 97). It is available in various sizes and with the foot support assembly option.

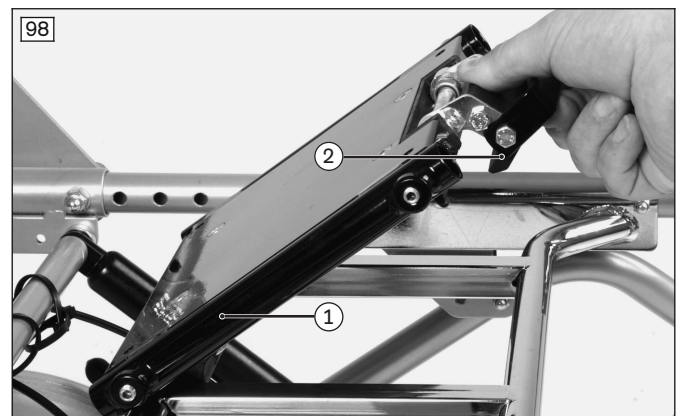
The seating shell interface is firmly screwed to a seating system by qualified personnel. A claw mechanism makes it easy to remove the seating unit/seating shell from the seat adapter on the outdoor mobility base.

Putting on the seating shell/seating unit

- 1) Place the seat with seating shell interface first onto the rear tube of the seat adapter at an angle of approximately 45° (see fig. 98, item 1).
- 2) Press the front edge of the seat onto the mobility base until the retaining claw audibly snaps onto the front tube of the seat adapter (see fig. 98, item 2).
- 3) Check that the seat and the mobility base are securely connected. You can do this, for example, by pulling back the back support of the seat.

Removing the seating shell/seating unit

- 1) Pull the release lever located under the seat up (see fig. 98, item 2). The retaining claw will now release the seat adapter.
- 2) Tip the seat with seating shell interface back at an angle of approx. 45° and then lift it up.



8.4.3 Adjusting the seat tilt

- 1) Release the clamping lever (see fig. 99).
- 2) Set the seat angle to the desired position.
CAUTION! With one hand, secure the occupant against falling out (e.g. by holding his/her upper body).
- 3) Tighten the clamping lever.
- 4) Press the backrest gently to the front/back to make sure that the seat angle is securely set. If this is not the case, retighten the clamping lever.



8.4.4 Push bar

⚠ CAUTION

Lifting by removable components

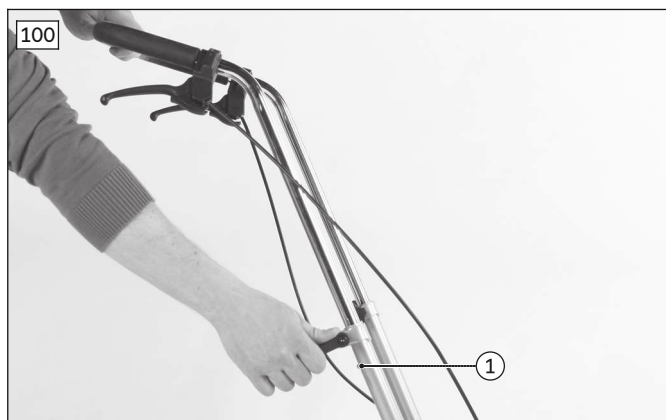
User tipping over, falling due to lifting by removable components

- ▶ The product may be lifted only by firmly welded or permanently attached components. It is particularly dangerous to lift the product by the leg support, push handle/push bar, lap bar or arm supports.

8.4.4.1 Adjusting the push bar

The height of the push bar can be adjusted:

- 1) Loosen the clamping lever on both sides (see fig. 100).
- 2) Press the two buttons on both sides simultaneously (see fig. 100, item 1).
- 3) Move the push bar to the desired position.
- 4) Tighten the clamping lever (see fig. 100).



8.4.5 Wheel lock

⚠ CAUTION

Wheel lock not engaged when getting in or out

Falling, tipping over of the user due to user error

- ▶ Before the user gets in or out, always engage and check the wheel lock.
- ▶ Engage the wheel lock to prevent the rehab buggy from moving on uneven ground or during transfers (e.g. into a car).

NOTICE

Incorrect wheel lock operation

Damage to the wheels, loss of braking function due to improper operation

- ▶ Do not engage the wheel lock while driving. The product must be at a standstill before applying the wheel lock.
- ▶ Do not engage the wheel lock with force.

8.4.5.1 Engaging the wheel lock

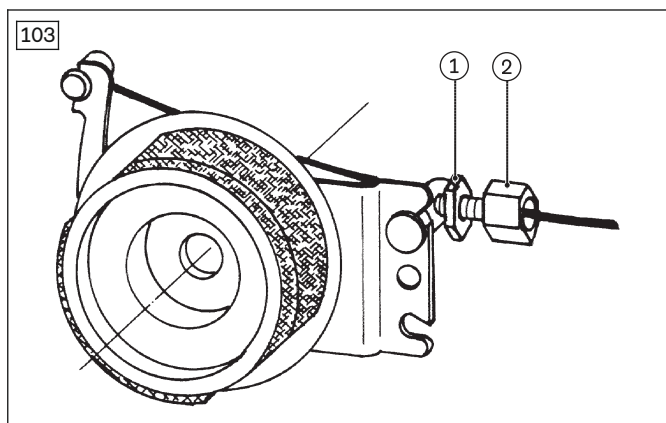
- 1) Pull the wheel lock levers to apply the drum brakes (see fig. 101). **Optional:** By simultaneously moving the small wheel lock levers down, lock the wheel locks (see fig. 102).
- 2) Activate the wheel lock levers again to release the wheel locks (see fig. 101).



8.4.5.2 Adjusting the wheel lock

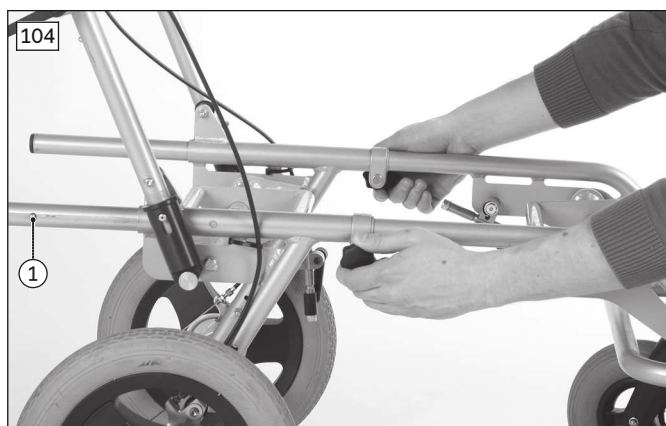
To achieve an optimum braking effect, the braking force is adjusted using the adjustment screw (see fig. 103, item 2).

- **Increase the braking force:** Back off the adjusting screw.
 - **Reduce the braking force:** Screw in the adjustment screw.
- 1) Loosen the counter nut (see fig. 103, item 1) and back off the adjustment screw until a scraping noise can be heard when the rear wheel is rotated.
 - 2) Screw in the adjustment screw (see fig. 103, item 2) until the scraping noise at the rear wheel disappears and the wheel runs freely.
 - 3) Tighten the counter nut (see fig. 103, item 1) until the adjustment screw is fixed.
- The braking force of both rear wheels must be adjusted equally.



8.4.6 Adjusting the wheelbase

- 1) Loosen the clamping wheels on both sides (see fig. 104).
- 2) Press the two buttons on both sides simultaneously (see fig. 104, item 1).
- 3) Increase or decrease the wheelbase.
- 4) Tighten the clamping wheels (see fig. 104).



8.4.7 Disassembly and transport

CAUTION

Exposed pinch points

Crushing, pinching due to incorrect handling

- ▶ When folding out the backrest, only grip by the specified components.

NOTICE

Deformation when folded

Damage to the product, problems unfolding due to unallowable loads

- ▶ Never place heavy objects on the folded product.

INFORMATION

The product can be equipped with the Kimba Neo seating unit or alternative seating systems. In this case, please observe the information in the separate instructions for use for the seating system.

- 1) Pull up the lock slides on both sides and fold the push bar forward (see fig. 105).
- 2) Lay the push bar onto the frame (see fig. 106 and see fig. 107).



8.4.8 Use in vehicles for transporting persons with reduced mobility

⚠ WARNING

Improper use in vehicles for transporting persons with reduced mobility

Risk of serious injury when using the product as a seat

- ▶ The product has **not** been approved by the manufacturer for use as a seat in vehicles for transporting persons with reduced mobility.
- ▶ In vehicles for transporting persons with reduced mobility, only use the seats installed in the vehicle with the corresponding personal restraint systems.
- ▶ Information on the current status of our measures is available from the qualified personnel.

The product Kimba Inline has not been approved by the manufacturer for use as a seat in a vehicle for transporting persons with reduced mobility.

8.5 Care

⚠ CAUTION

Lack of or improper cleaning

Health hazard due to infections, damage to the product due to user error

- ▶ Clean the product at regular intervals.
- ▶ Do not clean the product with a jet of water or a pressure washer. The penetration of water can cause corrosion and subsequent malfunctions.
- ▶ Check the driving behaviour of the product after cleaning it.

8.5.1 Detaching/attaching the frame padding for cleaning (Kimba Neo only, option)

The frame padding can be removed for care and maintenance of the product.

- 1) Open the hook-and-loop closure on the frame padding.
- 2) Remove and clean the frame padding.
- 3) Fit the frame padding around the push bar and close the hook-and-loop strap.
- 4) Twist the hook-and-loop strap down and push the frame padding over the folding mechanism all the way to the release handles (see fig. 108).



8.5.2 Cleaning

Clean the product regularly depending on the degree of soiling and frequency of use, **at least 1x per month**:

8.5.2.1 Cleaning by hand

- Clean plastic parts, frame parts and the chassis and wheels with a mild cleaner and a damp cloth. Dry thoroughly afterwards.
- Dirty springs should be cleaned with a soft, dry brush to prevent wear.
- Do not spray the product with a pressure washer.
- Do not use any aggressive cleaners, solvents or hard brushes etc.

8.5.2.2 Cleaning in a washing chamber

- 1) Wash the outdoor mobility base at a maximum temperature of **60 °C** for no longer than **10 minutes**.
- 2) **If necessary**: remove all components in which water has accumulated.
- 3) Allow the mobility base to dry. Lay the mobility base onto both rear wheels so the water can drain.
INFORMATION: we recommend drying with compressed air.
- 4) **If necessary**: reinstall all components that were removed.
- 5) Before reusing or storing the outdoor mobility base, check that it is dry. Wipe wet components with a cloth.
- 6) Ensure that all labels (nameplate and warnings) are still legible. Have any labels that are not legible replaced.

Important information on cleaning

- Do not use any aggressive cleaners, solvents or hard brushes etc.

8.5.3 Disinfection

- Thoroughly clean the product before disinfecting.
- Wipe all parts of the product with a disinfectant.
- Only use colourless water-based disinfectants. Observe the instructions for use provided by the manufacturer.

9 Maintenance and repair

9.1 Maintenance

⚠ WARNING

Insufficient maintenance

Severe user injuries, damage to the product due to failure to observe maintenance intervals

- ▶ Only carry out the maintenance tasks described in this section. All other maintenance and service tasks may only be carried out by qualified personnel.
- ▶ The functionality and operating safety of the product must be verified and a service performed at least **once per year**.
- ▶ For users with a changing anatomy (for example body dimensions, weight) or users with a changing clinical picture, have the product inspected, adjusted and serviced at least **once every six months**.

- The function of the product should be checked **before each use**.
- The product may not be used if defects are noted. This applies in particular in case of instability of the product or altered driving characteristics as well as problems with the user's seating position or the stability of the seat. Inform the qualified personnel promptly for the rectification of defects.

- This also applies if loose, worn, bent or damaged components, cracks in the frame or broken frame components are identified.
- Some maintenance tasks can be carried out to a certain extent by the user at home (see the sections "Maintenance intervals" and "Maintenance tasks").
- Failure to maintain the product can lead to injuries for the user of the product.

9.1.1 Maintenance intervals

The functions described below can be checked by the user at home at the specified intervals. While these tasks are being carried out, the user must not be sitting in the rehab buggy:

Component	Task	Before each use	Weekly	Monthly
Folding mechanism	Check for wear			X
Rear wheels	Check the quick-release axles (if any) for secure seating	X		
	Check for true running of the wheels			X
Brake	Verify braking function	X		
Tyres	Check the tread depth (min. 1 mm)			X
Wheels	Check that fit is free of play	X		
	Check for true running of the wheels			X
Adapters for optional features	Check adapters for damage			X
Bearings	Check for dirt			X
Suspension	Check for dirt/wear/instability			X
Product	Check the legibility of all labels and markings on the product			X

9.1.2 Maintenance tasks

To ensure smooth operation at all times, users or attendants with some technical skills can maintain some parts of the product:

- Particles of dirt and hair accumulate on the caster wheel axle and threaded axle of the caster fork over time. This makes the steering stiffer. Regularly remove dirt and oil the axles. See the section "Approach in case of stiffness".
- The rear wheels are equipped with a quick-release axle system as standard equipment. To keep this system operational, ensure that no dirt adheres to the quick-release axle or receiver bushing. Periodically lubricate the quick-release axle lightly with thin, resin-free oil (sewing machine oil).
- The piston rods of the springs should be lightly oiled with a resin-free, thin oil regularly (Kimba Neo only).
- If the rehab buggy gets wet, it should be rubbed dry again.
- Screw connections must be periodically checked for tightness, especially during the initial period of use or after making adjustments to the rehab buggy. If a screw connection loosens repeatedly, contact the qualified personnel promptly.

9.2 Repair

WARNING

Prohibited repairs

Severe user injuries, damage to the product due to adjustment and installation errors

- ▶ All repairs may only be carried out by qualified personnel.

10 Disposal

10.1 Disposal information

Return the product to the qualified personnel for disposal.

All components of the product must be disposed of properly in accordance with the respective national environmental regulations.

10.2 Information on re-use

⚠ CAUTION**Used seat padding**

Functional and/or hygienic risks due to re-use

- ▶ Replace the seat padding if the wheelchair is to be re-used.

The product is suitable for re-use.

Similar to second-hand machines or vehicles, products that are being re-used are subject to increased strain. Features and performance must not change in a way that could impair the safety of users or third parties during the period of use.

The relevant product must be thoroughly cleaned and disinfected before re-use. Then have the product inspected by qualified personnel with respect to its condition, wear and tear, and damage. Worn and damaged parts as well as components that do not fit or are unsuitable for the user must be replaced.

Detailed information on replacing components as well as information on the required tools can be found in the service manual.

11 Legal information

All legal conditions are subject to the respective national laws of the country of use and may vary accordingly.

11.1 Liability

The manufacturer will only assume liability if the product is used in accordance with the descriptions and instructions provided in this document. The manufacturer will not assume liability for damage caused by disregarding the information in this document, particularly due to improper use or unauthorised modification of the product.

11.2 Warranty

Further information on the warranty terms and conditions can be obtained from the qualified personnel that has fitted this product or the manufacturer's service (see inside back cover for addresses).

11.3 Service life

Expected lifetime: **4 years**

The design, manufacturing and requirements for the intended use of the product are based on the expected lifetime. These also include the requirements for maintenance, ensuring effectiveness and the safety of the product.

12 Technical data

12.1 Kimba Neo

Outdoor mobility base	Size 1	Size 2
Overall width [mm]	600	670
Front wheel diameter, "swivelling" front wheels [mm/inch]	170/6.7	170/6.7
Rear wheel diameter [mm/inch]	280/11	280/11
Push handle height (min./max.) [mm]	710/1,160	710/1,160
Seat tilt (seat adapter angle (min./max.)) [°]	-40/+10 or -10/+40	-40/+10 or -10/+40
Max. load [kg]	55 ¹⁾	55 ¹⁾
Max. load storage bag [kg]	7	7
Weight of mobility base [kg]	10.5	11.5
Folding size without seat (LxWxH) [mm]	790x600x470	790x670x470
Min. folding size with seat facing forwards; seat tilted backwards 10°, back support angle 100° (LxWxH) [mm]	900x600x530	970x670x590

¹⁾**Please note:** the load may differ between the outdoor mobility base and the seating unit. For the combination of the Kimba Neo outdoor mobility base and Kimba Neo seating unit:

- **Maximum user weight of the seating unit** (40 kg) **plus** the **weight of the seating unit itself** (7 kg, for size 1) = 47 kg
- **Maximum load for the outdoor mobility base** (55 kg) **minus** the **maximum user weight for the seating unit** and the **weight of the seating unit itself** (47 kg) = 8 kg, which remains available for additional accessories and the weight in the storage bag

Kimba seating shell interfaces	Size 1	Size 2
Length [mm]	190	240
Width [mm]	330	380
Weight [kg]	1.1	1.4

Ambient conditions

Temperatures and relative humidity	
Temperature during use [°C (°F)]	-10 to +40 (14 to 104)
Transport and storage temperature [°C (°F)]	-10 to +40 (14 to 104)
Relative humidity [%]	10 to 85; non-condensing

12.2 Kimba Cross

Outdoor mobility base	Size 1
Overall width (without wheels)[mm]	610
Overall width (with wheels) [mm]	705
Front wheel diameter, "swivelling" front wheels [mm/inch]	300/11.8
Front wheel diameter, "fixed" front wheels [mm/inch]	400/15.7
Rear wheel diameter	450/17.7
Push handle height (min./max.) [mm/inch]	940/1195
Seat tilt (seating unit angle (min./max.)) [°]	-2/+30
Max. load [kg]	50 ¹⁾
Max. load storage bag [kg]	7
Weight of mobility base [kg]	15.8
Folding size without seat, without wheels (LxWxH) [mm]	1000x610x320
Folding size without seat, with wheels (LxWxH) [mm]	1270x700x480

¹⁾ **Please note:** The load may differ between the outdoor mobility base and the seating unit. Combination of the Kimba Cross outdoor mobility base and the Kimba Neo seating unit:

- Permitted load for the seating unit (max. 40 kg) + own weight of the seating unit, size 1 (7.5 kg) = 47.5 kg.
- Permitted load for the outdoor mobility base (max. 50 kg) – fully loaded seating unit/own weight (47.5 kg) = 2.5 kg for other accessories + weight in the storage bag.

Kimba seating shell interfaces	Size 1	Size 2
Length [mm]	190	240
Width [mm]	330	380
Weight [kg]	1.1	1.4

Ambient conditions

Temperatures and relative humidity	
Temperature during use [°C (°F)]	-10 to +40 (14 to 104)
Transport and storage temperature [°C (°F)]	-10 to +40 (14 to 104)
Relative humidity [%]	10 to 85; non-condensing

12.3 Kimba Inline

Outdoor mobility base	Size 1
Overall width [mm]	640
Front wheel diameter [mm/inch]	200/7.9
Rear wheel diameter [mm/inch]	250/9.8
Push handle height (min./max.) [mm]	930/1030
Seat tilt (seating unit angle (min./max.)) [°]	-30/+40
Max. load [kg]	50 ¹⁾
Weight of mobility base [kg]	10.6
Folding size without seat (LxWxH) [mm]	900x640x480 ²⁾

¹⁾ **Please note:** The load may differ between the outdoor mobility base and the seating unit. Combination of the Kimba Inline outdoor mobility base and Kimba Neo seating unit:

- Permitted load for the seating unit (max. 40 kg) + own weight of the seating unit, size 1 (7.5 kg) = 47.5 kg.
- Permitted load for the outdoor mobility base (max. 50 kg) - own weight of 2 seating units (2 x 7.5 kg) = 35 kg for the user weight of 2 children.

²⁾ Folding size of the outdoor mobility base with fixed front wheels: 970x600x530 mm

Kimba seating shell interface	Size 1
Length [mm]	190
Width [mm]	330
Weight [kg]	1.1

Ambient conditions

Temperatures and relative humidity	
Temperature during use [°C (°F)]	-10 to +40 (14 to 104)
Transport and storage temperature [°C (°F)]	-10 to +40 (14 to 104)
Relative humidity [%]	10 to 85; non-condensing

13 Appendices

13.1 Threshold values for rehab buggies transportable by train

INFORMATION

- The products in this series fully satisfy the minimum technical requirements of regulation (EU) No. 1300/2014 regarding train accessibility for people with disabilities.

Feature	Threshold value (according to Regulation (EU) No. 1300/2014)
Length [mm]	1200 (plus 50 mm for the feet)
Width [mm]	

Feature	Threshold value (according to Regulation (EU) No. 1300/2014)
	700 (plus 50 mm on each side for the hands when moving)
Smallest wheels ["]	approx. 3 or greater (according to the regulation, the smallest wheel must be able to overcome a gap measuring 75 mm horizontally and 50 mm vertically)
Height [mm]	max. 1375; including a 1.84 m large male user (95th percentile)
Turning radius [mm]	1500
Maximum weight [kg]	200 (product with user, including luggage)
Maximum obstacle height that can be overcome [mm]	50
Ground clearance [mm]	60 (at an upward slope angle of 10°, ground clearance must measure at least 60 mm under the footrest for going forward at the end of the slope)
Maximum inclination angle on which the product will remain stable [°]	6 (dynamic stability in all directions) 9 (static stability in all directions, also when wheel lock engaged)

Kundenservice/Customer Service

Europe

Otto Bock HealthCare Deutschland GmbH
Max-Näder-Str. 15 · 37115 Duderstadt · Germany
T +49 5527 848-3433 · F +49 5527 848-1460
healthcare@ottobock.de · www.ottobock.de

Otto Bock Healthcare Products GmbH
Brehmstraße 16 · 1110 Wien · Austria
F +43 1 5267985
service-admin.vienna@ottobock.com · www.ottobock.at

Otto Bock Adria d.o.o. Sarajevo
Ramiza Salčina 85
71000 Sarajevo · Bosnia-Herzegovina
T +387 33 255-405 · F +387 33 255-401
obadria@bih.net.ba · www.ottobockadria.com.ba

Otto Bock Bulgaria Ltd.
41 Tzar Boris IIIrd Blvd. · 1612 Sofia · Bulgaria
T +359 2 80 57 980 · F +359 2 80 57 982
info@ottobock.bg · www.ottobock.bg

Otto Bock Suisse AG
Luzerner Kantonsspital 10 · 6000 Luzern 16 · Suisse
T +41 41 455 61 71 · F +41 41 455 61 70
suisse@ottobock.com · www.ottobock.ch

Otto Bock ČR s.r.o.
Protetická 460 · 33008 Zruč-Senec · Czech Republic
T +420 377825044 · F +420 377825036
email@ottobock.cz · www.ottobock.cz

Otto Bock Iberica S.A.
C/Majada, 1 · 28760 Tres Cantos (Madrid) · Spain
T +34 91 8063000 · F +34 91 8060415
info@ottobock.es · www.ottobock.es

Otto Bock France SNC
4 rue de la Réunion · CS 90011
91978 Courtaboeuf Cedex · France
T +33 1 69188830 · F +33 1 69071802
information@ottobock.fr · www.ottobock.fr

Otto Bock Healthcare plc
32, Parsonage Road · Englefield Green
Egham, Surrey TW20 0LD · United Kingdom
T +44 1784 744900 · F +44 1784 744901
bockuk@ottobock.com · www.ottobock.co.uk

Otto Bock Hungária Kft.
Tatai út 74. · 1135 Budapest · Hungary
T +36 1 4511020 · F +36 1 4511021
info@ottobock.hu · www.ottobock.hu

Otto Bock Adria d.o.o.
Dr. Franje Tuđmana 14 · 10431 Sveta Nedelja · Croatia
T +385 1 3361 544 · F +385 1 3365 986
ottobockadria@ottobock.hr · www.ottobock.hr

Otto Bock Italia Srl Us
Via Filippo Turati 5/7 · 40054 Budrio (BO) · Italy
T +39 051 692-4711 · F +39 051 692-4720
info.italia@ottobock.com · www.ottobock.it

Otto Bock Benelux B.V.
Mandenmaker 14 · 5253 RC
Nieuwkuijk · The Netherlands
T +31 73 5186488 · F +31 73 5114960
info.benelux@ottobock.com · www.ottobock.nl

Industria Ortopédica Otto Bock Unip. Ltda.
Av. Miguel Bombarda, 21 - 2º Esq.
1050-161 Lisboa · Portugal
T +351 21 3535587 · F +351 21 3535590
ottobockportugal@mail.telepac.pt

Otto Bock Polska Sp. z o. o.
Ulica Koralowa 3 · 61-029 Poznań · Poland
T +48 61 6538250 · F +48 61 6538031
ottobock@ottobock.pl · www.ottobock.pl

Otto Bock Romania srl
Șos de Centura Chitila - Mogoșoia Nr. 3
077405 Chitila, Jud. Ilfov · Romania
T +40 21 4363110 · F +40 21 4363023
info@ottobock.ro · www.ottobock.ro

OOO Otto Bock Service
p/o Pultikovo, Business Park „Greenwood”,
Building 7, 69 km MKAD
143441 Moscow Region/Krasnogorskiy Rayon
Russian Federation
T +7 495 564 8360 · F +7 495 564 8363
info@ottobock.ru · www.ottobock.ru

Otto Bock Scandinavia AB
Koppargatan 3 · Box 623 · 60114 Norrköping · Sweden
T +46 11 280600 · F +46 11 312005
info@ottobock.se · www.ottobock.se

Otto Bock Slovakia s.r.o.
Röntgenova 26 · 851 01 Bratislava 5 · Slovak Republic
T +421 2 32 78 20 70 · F +421 2 32 78 20 89
info@ottobock.sk · www.ottobock.sk

Otto Bock Sava d.o.o.
Industrijska bb · 34000 Kragujevac · Republika Srbija
T +381 34 351 671 · F +381 34 351 671
info@ottobock.rs · www.ottobock.rs

Otto Bock Ortopedi ve
Rehabilitasyon Tekniği Ltd. Şti.
Mecidiyeköy Mah. Lati Lokum Sok.
Meriç Sitesi B Blok No: 30/B
34387 Mecidiyeköy-Istanbul · Turkey
T +90 212 3565040 · F +90 212 3566688
info@ottobock.com.tr · www.ottobock.com.tr

Africa

Otto Bock Algérie E.U.R.L.
32, rue Ahcène Outaleb - Coopérative les Mimosas
Mackle-Ben Aknoun · Alger · DZ Algérie
T +213 21 913863 · F +213 21 913863
information@ottobock.fr · www.ottobock.fr

Otto Bock Egypt S.A.E.
28 Soliman Abaza St. Mohandessein · Giza · Egypt
T +20 2 37606818 · F +20 2 37605734
info@ottobock.com.eg · www.ottobock.com.eg

Otto Bock South Africa (Pty) Ltd
Building 3 Thornhill Office Park · 94 Bekker Road
Midrand · Johannesburg · South Africa
T +27 11 564 9360
info-southafrica@ottobock.co.za
www.ottobock.co.za

Americas

Otto Bock Argentina S.A.
Av. Belgrano 1477 · CP 1093
Ciudad Autónoma de Buenos Aires · Argentina
T +54 11 5032-8201 / 5032-8202
atencionclientes@ottobock.com.ar
www.ottobock.com.ar

Otto Bock do Brasil Tecnica Ortopédica Ltda.
Alameda Maria Tereza, 4036, Bairro Dois Córregos
CEP: 13.278-181, Valinhos-São Paulo · Brasil
T +55 19 3729 3500 · F +55 19 3269 6061
ottobock@ottobock.com.br · www.ottobock.com.br

Otto Bock HealthCare Canada
5470 Harvester Road
Burlington, Ontario, L7L 5N5, Canada
T +1 800 665 3327 · F +1 800 463 3659
CACustomerService@ottobock.com
www.ottobock.ca

Oficina Ottobock Habana
Calle 3ra entre 78 y 80.
Edificio Jerusalem · Oficina 112 · Calle 3ra.
Playa, La Habana. Cuba
T +53 720 430 69 · +53 720 430 81
hector.corcho@ottobock.com.br
www.ottobock.com.br

Otto Bock HealthCare Andina Ltda.
Calle 138 No 53-38 · Bogotá · Colombia
T +57 1 8619988 · F +57 1 8619977
info@ottobock.com.co · www.ottobock.com.co

Otto Bock de Mexico S.A. de C.V.
Prolongación Calle 18 No. 178-A
Col. San Pedro de los Pinos
C.P. 01180 México, D.F. · Mexico
T +52 55 5575 0290 · F +52 55 5575 0234
info@ottobock.com.mx · www.ottobock.com.mx

Otto Bock HealthCare LP
11501 Alterra Parkway Suite 600
Austin, TX 78758 · USA
T +1 800 328 4058 · F +1 800 962 2549
USCustomerService@ottobock.com
www.ottobockus.com

Asia/Pacific

Otto Bock Australia Pty. Ltd.
Suite 1.01, Century Corporate Centre
62 Norwest Boulevard
Baulkham Hills NSW 2153 · Australia
T +61 2 8818 2800 · F +61 2 8814 4500
healthcare@ottobock.com.au · www.ottobock.com.au

Beijing Otto Bock Orthopaedic Industries Co., Ltd.
B12E, Universal Business Park
10 Jiuxianqiao Road, Chao Yang District
Beijing, 100015, P.R. China
T +8610 8598 6880 · F +8610 8598 0040
news-service@ottobock.com.cn
www.ottobock.com.cn

Otto Bock Asia Pacific Ltd.
Unit 1004, 10/F, Greenfield Tower, Concordia Plaza
1 Science Museum Road, Tsim Sha Tsui
Kowloon, Hong Kong · China
T +852 2598 9772 · F +852 2598 7886
info@ottobock.com.hk · www.ottobock.com

Otto Bock HealthCare India Pvt. Ltd.
20th Floor, Express Towers
Nariman Point, Mumbai 400 021 · India
T +91 22 2274 5500 / 5501 / 5502
information@indiaottobock.com · www.ottobock.in

Otto Bock Japan K. K.
Yokogawa Building 8F, 4-4-44 Shibaura
Minato-ku, Tokyo, 108-0023 · Japan
T +81 3 3798-2111 · F +81 3 3798-2112
ottobock@ottobock.co.jp · www.ottobock.co.jp

Otto Bock Korea HealthCare Inc.
4F Agaworld Building · 1357-74, Seocho-dong
Seocho-ku, 137-070 Seoul · Korea
T +82 2 577-3831 · F +82 2 577-3828
info@ottobockkorea.com · www.ottobockkorea.com

Otto Bock South East Asia Co., Ltd.
1741 Phaholyothin Road
Kwaeng Chatuchark · Khet Chatuchark
Bangkok 10900 · Thailand
T +66 2 930 3030 · F +66 2 930 3311
obsea@ottobock.co.th · www.ottobock.co.th

Other countries

Ottobock SE & Co. KGaA
Max-Näder-Straße 15 · 37115 Duderstadt · Germany
T +49 5527 848-1590 · F +49 5527 848-1676
reha-export@ottobock.de · www.ottobock.com

Ihr Fachhändler | Your specialist dealer



Otto Bock Mobility Solutions GmbH
Lindenstraße 13 · 07426 Königsee/Germany
www.ottobock.com

